

PLEASE CHECK WWW.MOLEX.COM FOR LATEST PART INFORMATION

Part Number: [0714362464](#)

Status: **Active**

Overview: [PMC Mezzanine Connectors](#)

Description: 1.00mm Pitch Mezzanine IEEE 1386 Plug, Surface Mount, Dual Row, Vertical Stacking, 64 Circuits, 8.35mm Unmated Height, with PCB Locator Pegs, with Robotic Placement Metal Cap, 0.76µm Gold (Au) Selective Plating, Embossed

Documents:

[3D Model](#)

[Drawing \(PDF\)](#)

[Product Specification PS-71436-9999 \(PDF\)](#)

[RoHS Certificate of Compliance \(PDF\)](#)

Agency Certification

CSA LR19980
UL E29179

General

Product Family PCB Headers
Series [71436](#)
Application Board-to-Board, Signal
Overview [PMC Mezzanine Connectors](#)
Product Name Mezzanine
UPC 800754235150

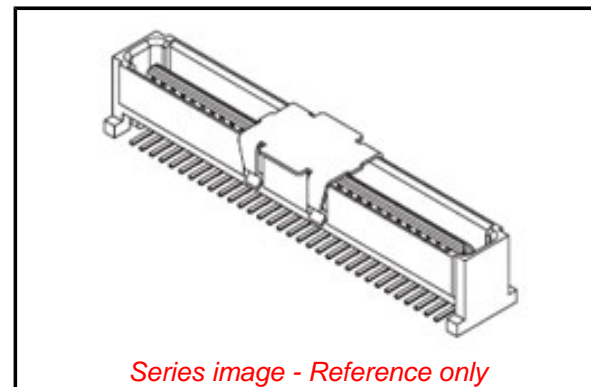
Physical

Breakaway No
Circuits (Loaded) 64
Circuits (maximum) 64
Color - Resin Natural
Flammability 94V-0
Glow-Wire Compliant No
Lock to Mating Part None
Mated Height 10.00mm, 12.00mm, 13.00mm, 15.00mm
Material - Metal Phosphor Bronze
Material - Plating Mating Gold
Material - Plating Termination Tin
Material - Resin High Temperature Thermoplastic
Net Weight 1.555/g
Number of Rows 2
Orientation Vertical
PCB Locator Yes
PCB Retention None
PCB Thickness - Recommended 1.00mm
Packaging Type Embossed Tape on Reel
Pitch - Mating Interface 1.00mm
Plating min - Mating 0.762µm
Plating min - Termination 1.905µm
Polarized to Mating Part No
Robotic Placement Pick and Place Cap
Shrouded Fully
Stackable No
Temperature Range - Operating -55°C to +85°C
Termination Interface: Style Surface Mount

Electrical

Current - Maximum per Contact 1.0A
Voltage - Maximum 100V

Solder Process Data



Series image - Reference only

EU ELV

Not Relevant

EU RoHS

Compliant

REACH SVHC

Not Contained Per
-ED/79/2015 (17
December 2015)

Halogen-Free

Status

Low-Halogen

**Need more information on product
environmental compliance?**

Email productcompliance@molex.com
Please visit the [Contact Us](#) section for any
non-product compliance questions.

China ROHS
ELV

Green Image
Not Relevant

Search Parts in this Series

[71436 Series](#)

Mates With

[71439](#) 1.00mm Pitch Mezzanine IEEE 1386
Receptacle. Be sure to match like stack
heights

Duration at Max. Process Temperature (seconds)	040
Lead-freeProcess Capability	REFLOW
Max. Cycles at Max. Process Temperature	003
Process Temperature max. C	260

Material Info

Reference - Drawing Numbers

Product Specification	PS-71436-9999
Sales Drawing	SDA-71436-2***

This document was generated on 03/29/2016

PLEASE CHECK WWW.MOLEX.COM FOR LATEST PART INFORMATION