

PLEASE CHECK WWW.MOLEX.COM FOR LATEST PART INFORMATION

Part Number: [0521170241](#)
Status: **Active**
Overview: Mizu-P25™ Miniature Waterproof Connectors
Description: Mizu-P25™ 2.50mm Pitch Waterproof Wire-to-Wire Receptacle Housing, 2 Circuits

Documents:

[3D Model](#) [Product Specification PS-52117-007 \(PDF\)](#)
[Drawing \(PDF\)](#) [RoHS Certificate of Compliance \(PDF\)](#)

Agency Certification

UL E29179

General

Product Family Crimp Housings
 Series [52117](#)
 Application Signal, Wire-to-Wire
 Application Tooling Part Link [57131-6000](#)
 Application Tooling Part Link [62202-4400](#)
 Overview [Mizu-P25™ Miniature Waterproof Connectors](#)
 Product Name Mizu-P25™ Waterproof, Splash Proof
 UPC 800754368636

Physical

Circuits (maximum) 2
 Color - Resin Black
 Gender Receptacle
 Glow-Wire Compliant No
 Lock to Mating Part Yes
 Material - Resin Polyester
 Net Weight 824.900/mg
 Number of Rows 1
 Packaging Type Tray
 Panel Mount No
 Pitch - Mating Interface 5.00mm
 Stackable No
 Temperature Range - Operating -40°C to +105°C

Electrical

Current - Maximum per Contact 3.0A

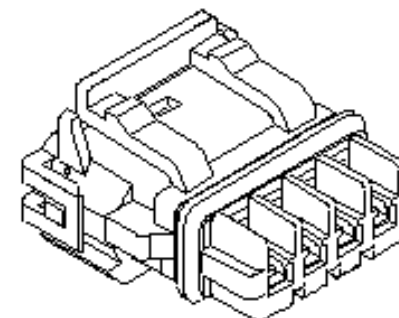
Solder Process Data

Lead-free Process Capability N/A

Material Info

Reference - Drawing Numbers

Product Specification PS-52117-007
 Sales Drawing SD-52117-001



Series image - Reference only

EU ELV

Compliant

EU RoHS

Compliant

REACH SVHC

Not Contained Per
 -ED/79/2015 (17
 December 2015)

Halogen-Free

Status

Not Low-Halogen

**Need more information on product
 environmental compliance?**

Email productcompliance@molex.com
 Please visit the [Contact Us](#) section for any
 non-product compliance questions.

China ROHS

ELV

Green Image

Compliant

Search Parts in this Series

[52117 Series](#)

Mates With

[52116 Mizu-P25™ 2.50mm Pitch
 Waterproof Wire-to-Wire Plug Housing](#)

Use With

[50039 Mizu-P25™ Crimp Terminal](#)

Application Tooling | FAQ

*Tooling specifications and manuals are
 found by selecting the products below.
 Crimp Height Specifications are then
 contained in the Application Tooling
 Specification document.*

Global

Description

Product #

Sealing Cap Hand Tool [0622024400](#)

Japan

Description	Product #
Sealing Cap	<u>0571316000</u>
Attachment Tool	

This document was generated on 03/08/2016

PLEASE CHECK WWW.MOLEX.COM FOR LATEST PART INFORMATION