

Product/Process Change Notice (PCN)



- Major change
- Minor change

PCN #: ConUSB_20151030
 Product Affected: 629004113921 & 629104113921
 PCN Date: November 13th, 2015
 Effective Date: February 1st, 2016
 Contact: Product Management
 Tel: +49 7942 945-5001
 Fax: +49 7942 945-5179
 E-mail: PCN.eican@we-online.de

- Product Mark
- Date Code
- Packaging
- Others

Attachment: Yes No

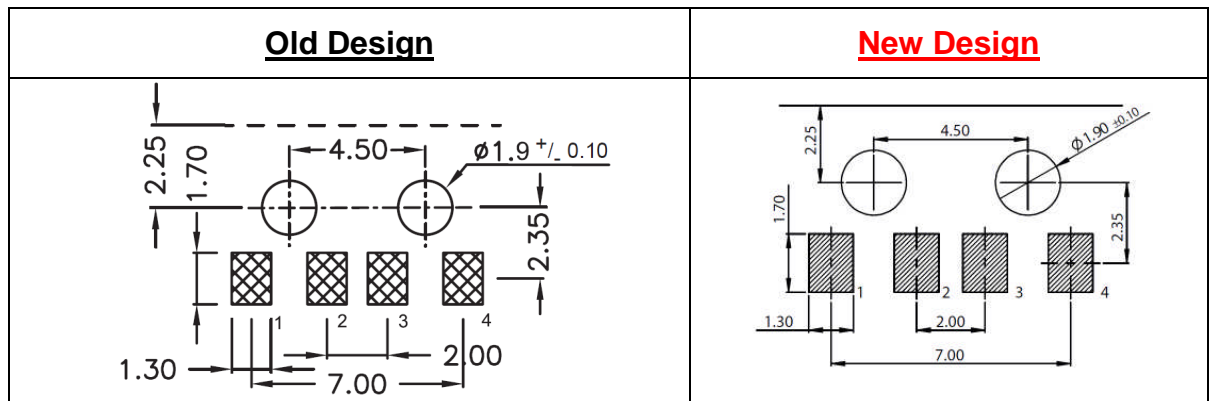
Samples: Yes

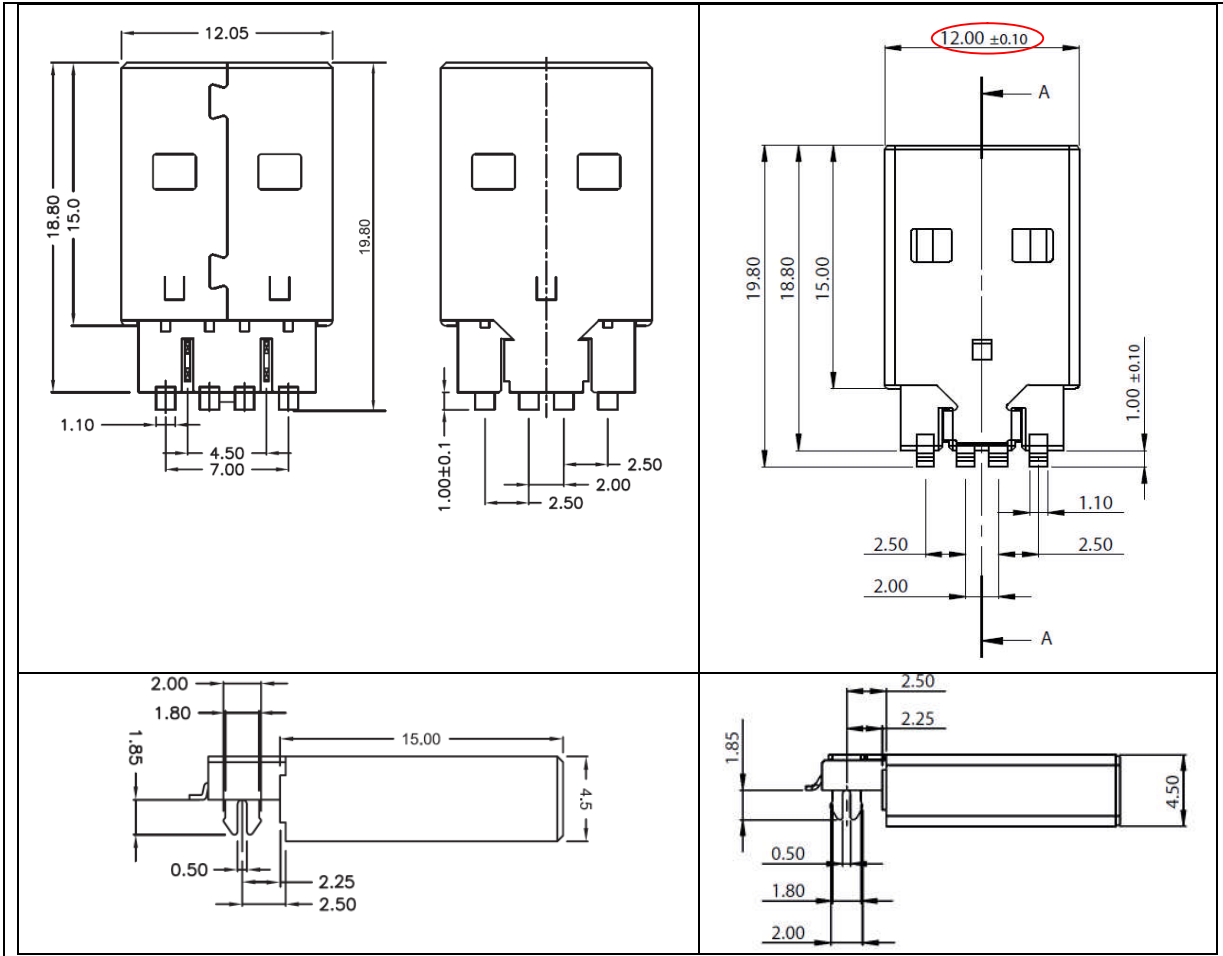
DESCRIPTION AND PURPOSE OF CHANGE:

In order to enhance the product reliability, the production method will be changed and fully automated quality controlling equipment will be implemented. Increased compatibility with USB specification implies some minor dimensions modifications. There are design changes but the layout, electrical and mechanical properties remain the same. The packaging will not be changed. The effective date code will be on the 1st of February, 2016.

DETAIL OF CHANGE:

A fully automatized process will be implemented and CCD inspection controls will be added. The design changes are summarized below and marked in red:





RELIABILITY / QUALIFICATION SUMMARY:
 N/A

DATA SHEET CHANGE: Yes No

Würth Elektronik France S.A.S

1861 Avenue Henri Schneider 69881 Meyzieu Cedex - France · Phone +33427861000 · Fax +33427861079