

Product/Process Change Notice (PCN)



- Major change
- Minor change

PCN #: ConUSB_20141001
Product Affected: 61400413321 / 61400414122
Effective Date: January 1ST, 2015

- Product Mark
- Date Code
- Packaging
- Others

Contact: Product Management
Tel: +49 7942 945-5001
Fax: +49 7942 945-5179
E-mail: PCN.eican@we-online.de

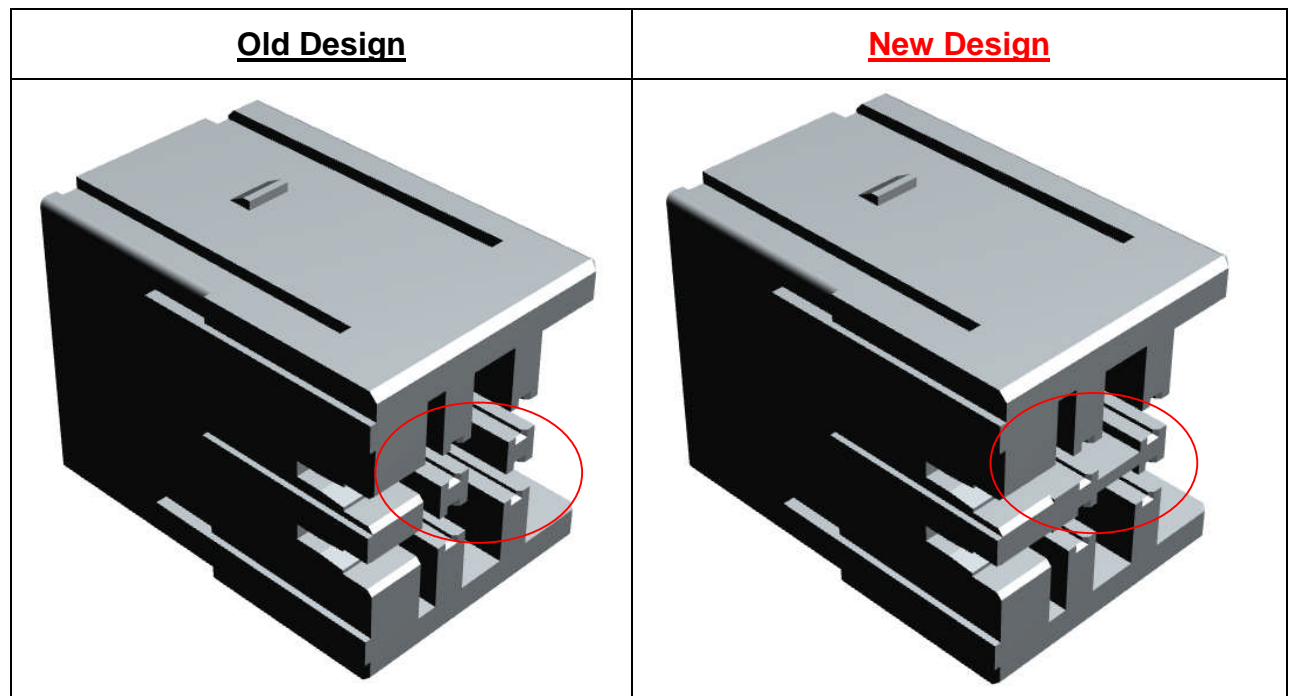
Attachment: Yes No
Samples: No

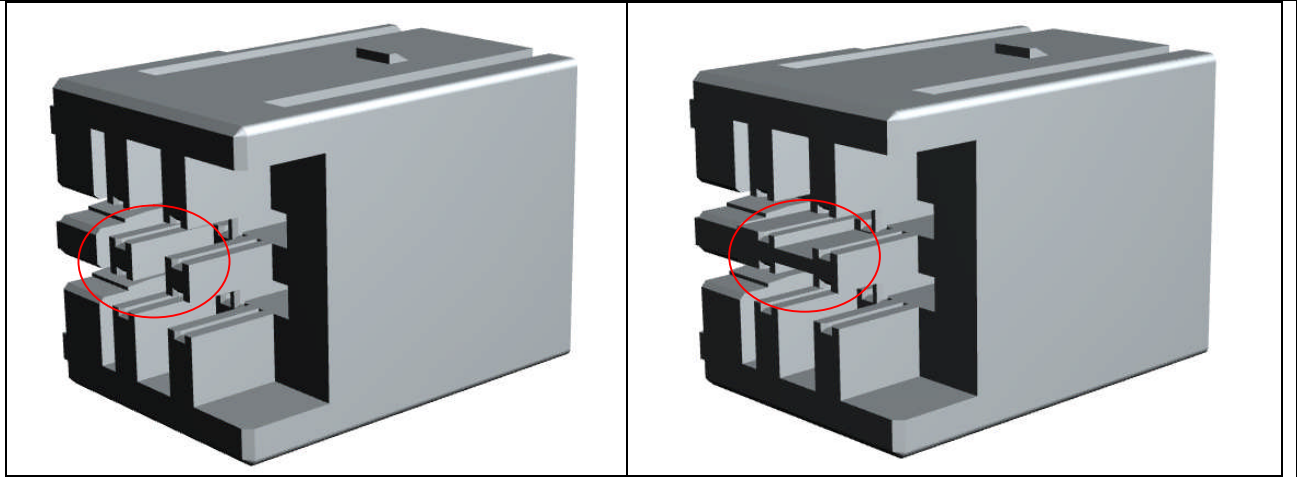
DESCRIPTION AND PURPOSE OF CHANGE:

Würth Elektronik changed the product design to enhance the reliability.

DETAIL OF CHANGE:

The design of insulator will be changed to avoid the tin to go inside the connector during welding on the wave soldering machine. Nevertheless, all electrical and mechanical properties and dimensions remain for both part numbers (61400413321 – White version and 61400414122 - Black version).





RELIABILITY / QUALIFICATION SUMMARY:

N / A

DATA SHEET CHANGE:

Yes

No

Würth Elektronik France S.A.S

1861 Avenue Henri Schneider 69881 Meyzieu Cedex - France · Phone +33427861000 · Fax +33427861079