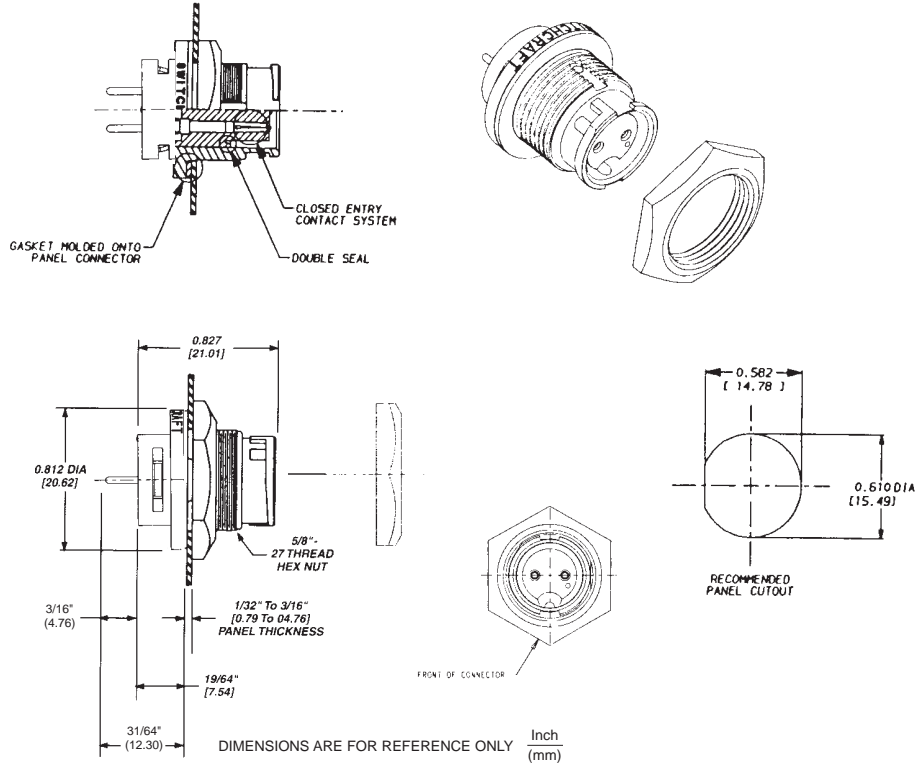
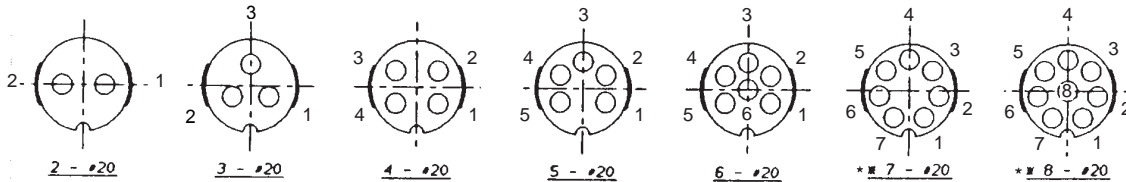


EN3™ MINI WEATHERTIGHT CONNECTOR SERIES

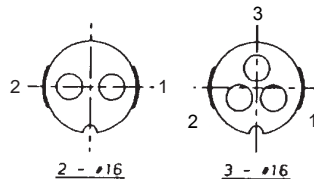
EN3™ PANEL MOUNT CONNECTOR



Panel Connector Contact Arrangements – Shown from front of connector



* 7 and 8 pin not available in panel female



HOLE LAYOUTS VIEWED FROM FRONT OF CONNECTOR
RECOMMENDED HOLE SIZE: #20 CONTACT: .046" DIA.
#16 CONTACT: .055" DIA.

DIMENSIONS ARE FOR REFERENCE ONLY $\frac{\text{Inch}}{\text{(mm)}}$

NOTE: Contact your Switchcraft Representative for price and delivery.