

**PLEASE CHECK WWW.MOLEX.COM FOR LATEST PART INFORMATION**

**Part Number:** [0874390800](#)  
**Status:** **Active**  
**Overview:** Pico-SPOX™ Wire-to-Board Connector System  
**Description:** 1.50mm Pitch Pico-SPOX™ Wire-to-Board Housing, 8 Circuits, Off-White Housing

**Documents:**

|  |   |
|--|---|
| <a href="#">3D Model</a>                                 | <a href="#">Packaging Specification SPK-87439-001 (PDF)</a> |
| <a href="#">Drawing (PDF)</a>                            | <a href="#">RoHS Certificate of Compliance (PDF)</a>        |
| <a href="#">Product Specification PS-87437-001 (PDF)</a> | <a href="#">Product Literature (PDF)</a>                    |

**Agency Certification**

|     |         |
|-----|---------|
| CSA | LR19980 |
| UL  | E29179  |

**General**

|                             |   |
|-----------------------------|---|
| Product Family              | Crimp Housings  |
| Series                      | <a href="#">87439</a>                                     |
| Application                 | Signal, Wire-to-Board                                     |
| MolexKits                   | Yes   |
| Overview                    | <a href="#">Pico-SPOX™ Wire-to-Board Connector System</a> |
| Product Literature Order No | USA-235   |
| Product Name                | Pico-SPOX™  |
| UPC                         | 800754313278  |

**Physical**

|                               |                 |
|-------------------------------|-----------------|
| Circuits (maximum)            | 8               |
| Color - Resin                 | Natural         |
| Flammability                  | 94V-0           |
| Gender                        | Female          |
| Glow-Wire Compliant           | No              |
| Lock to Mating Part           | Yes             |
| Material - Resin              | Nylon           |
| Net Weight                    | 0.120/g         |
| Number of Rows                | 1               |
| Packaging Type                | Bag             |
| Panel Mount                   | No              |
| Pitch - Mating Interface      | 1.50mm          |
| Polarized to Mating Part      | Yes             |
| Stackable                     | No              |
| Temperature Range - Operating | -55°C to +105°C |

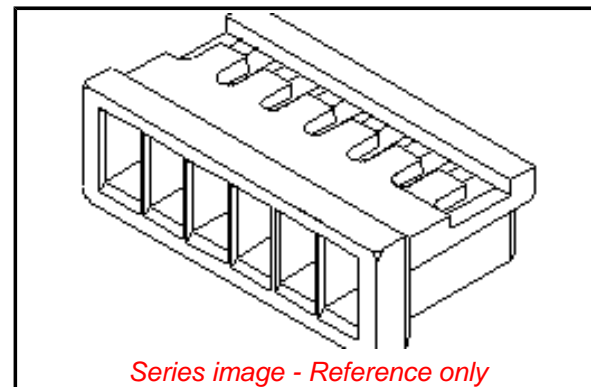
**Electrical**

|                               |      |
|-------------------------------|------|
| Current - Maximum per Contact | 2.5A |
|-------------------------------|------|

**Material Info**

**Reference - Drawing Numbers**

|                         |   |
|-------------------------|---|
| Packaging Specification | SPK-87439-001   |
| Product Specification   | PS-87437-001, RPS-87437, RPS-87437-001, RPS-87437-200 |
| Sales Drawing           | SD-87439-**00   |



*Series image - Reference only*

**EU ELV**

**Not Relevant**

**EU RoHS**

**Compliant**

**REACH SVHC**

Not Contained Per  
-ED/79/2015 (17  
December 2015)

**Halogen-Free**

**Status**

**Low-Halogen**

**Need more information on product environmental compliance?**

Email [productcompliance@molex.com](mailto:productcompliance@molex.com)  
Please visit the [Contact Us](#) section for any non-product compliance questions.

China ROHS

ELV

Green Image

Not Relevant

**Search Parts in this Series**

[87439](#) Series

**Mates With**

Pico-SPOX™ Wire-to-Board Header [87437](#) , [87438](#)

**Use With**

[87421](#) Pico-SPOX™ Crimp Terminal