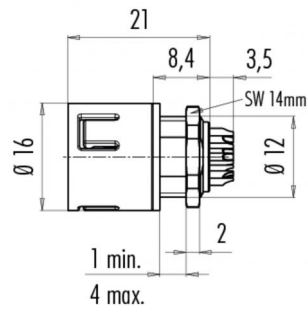


Product **Contacts: 12, male panel mount connector, blue**
 Area **Snap-in IP67 Series 720**
 Article number **99 9135 60 12**

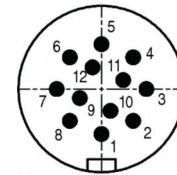
Illustration



Scale drawing



Contact Arrangement



	X	Y
1	0,00	-3,70
2	2,62	-2,62
3	3,70	0,00
4	2,62	2,62
5	0,00	3,70
6	-2,62	2,62
7	-3,70	0,00
8	-2,62	-2,62
9	-1,79	-0,74
10	0,74	-1,79
11	1,79	0,74
12	-0,74	1,79

You can find the item description and assembly instruction on the next page.

Technical data

Common values

Connector Design	male panel mount connector
Connector locking system	snap
Termination	solder
Wire gauge (mm)	0,25 mm ²
Wire gauge (AWG)	24
Cable outlet	-
Upper temperature	85 °C
Lower temperature	-25 °C

Electrical values

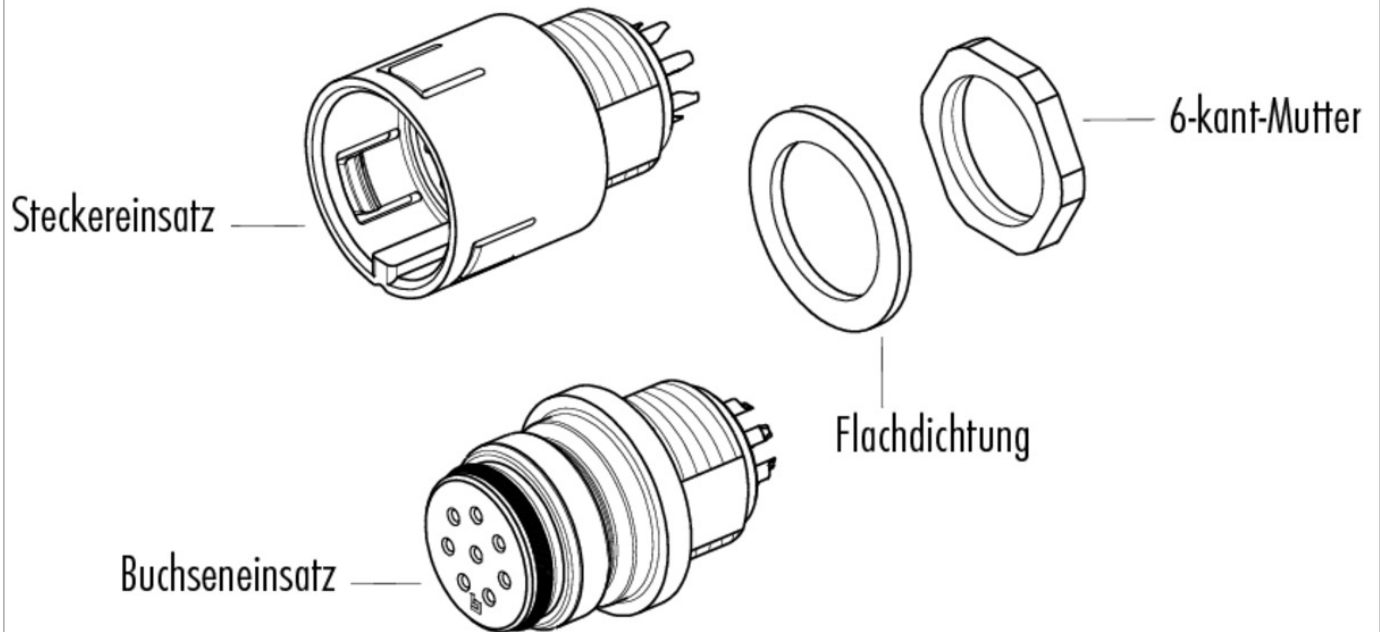
Rated voltage	60
Rated impulse voltage	800 V
Pollution degree	2
Overvoltage category	II
Material group	II
Rated current (40°C)	2 A
Volume resistivity	≤ 3 mΩ
EMV compliance	not shielded
Degree of protection	IP67

Material

Material of contact	CuZn (Messing)
Contact plating	Au (gold)
Material of contact body	PA (UL 94 V-0)

Product **Contacts: 12, male panel mount connector, blue**
Area **Snap-in IP67 Series 720**
Article number **99 9135 60 12**

Item description



Installation instructions / Mounting cutout

