

March 11, 2016

Product change

Correction of data sheets for EPCOS PM coil formers produced in Šumperk

The data sheets for EPCOS PM coil formers produced by the Šumperk plant, Czech Republic, have been revised to the actual value (tolerances for two dimensions) of the products. The products themselves remain unchanged.

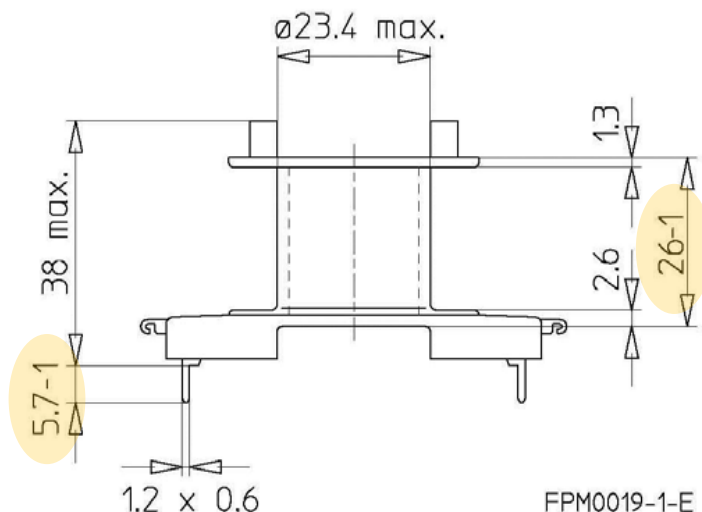
Affected products

Ordering code	Type
B65647B1014T001	PM50/39
B65685B1016T001	PM62/49
B65685A1000T001	PM62/49
B65687A1018T001	PM74/59
B65687A1000T001	PM74/59
B65714K1020T001	PM87/70
B65714J1000T001	PM87/70

Scheduled date of change: with immediate effect, after customer approval

Product dimensions

Type PM50/39



EPCOS AG · A TDK Group Company

Office: St.-Martin-Strasse 53, 81669 Munich · Post: P.O.Box 80 17 09, 81617 Munich, Germany

Headquarters: Munich · Commercial register of the local court (Amtsgericht): Munich HRB 127250

Chairman of the Supervisory Board: Dr. Werner Faber

Management Board: Joachim Zichlarz, Chairman · Joachim Thiele · Dr. Norbert Hess · Christian Block

www.epcos.com

Ferrites and

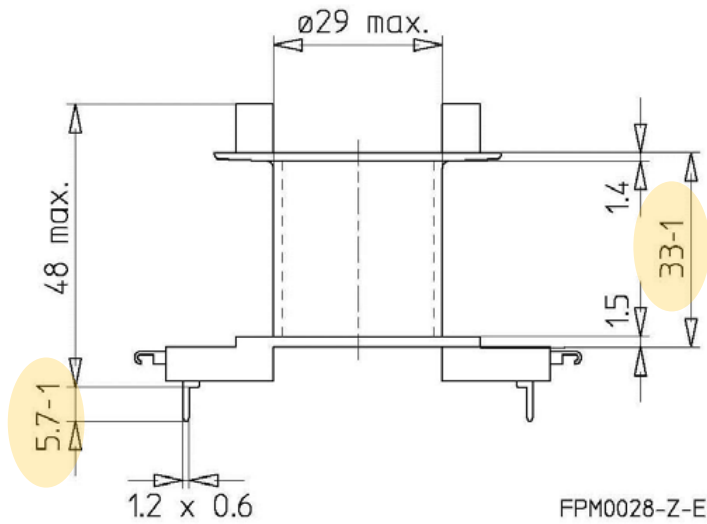
Accessories

Internal / External

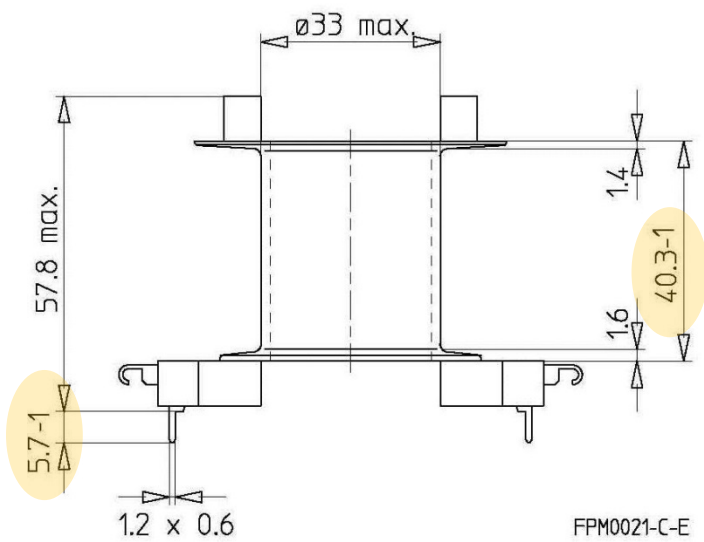
160311FER1e

March 11, 2016

Type PM62/49

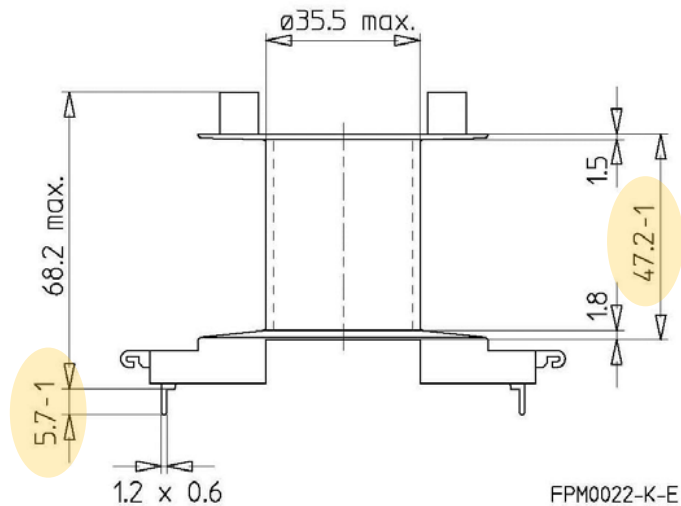


Type PM74/59



March 11, 2016

Type PM87/70



The updated data sheets may be downloaded under www.epcos.com/ferrites_pm.

Enclosure PCN (ID No. MAG-415220116)

Contact Dr. Helko Meuche, MAG TF F PM, Munich

Customers are asked to address inquiries directly to their sales contacts.

Product / Process Change Notification

1. ID No.: MAG-415220116		2. Date of announcement: March 11, 2016	
3. Product / product group: Coil formers PM50/39 PM62/49 PM74/59 PM87/70	Old ordering code: B65647B1014T001 B65685B1016T001 B65685A1000T001 B65687A1018T001 B65687A1000T001 B65714K1020T001 B65714J1000T001	New ordering code: No change	Customer part number:
4. Description of change: Correction of discrepancy in EPCOS data sheets/data book for range of PM coil formers. Extension of tolerances for two dimensions (see UPtoDATE).			
5. Effect on the product or for the customer (benefit, quality, specification, lead time): EPCOS data book specifications need to be modified to be in accordance with the existing product; no change on the product itself.			
6. Quality assurance measures / risk assessment: The existing production and Q-Gates remain the same.			
7. Scheduled date of change: With immediate effect, after customer approval			
8. Estimated date of first delivery of changed product: n.a. If EPCOS does not receive notification to the contrary within a period of 10 weeks, EPCOS assumes that the customer agrees to the change. For an interim period we cannot rule out that old as well as new products will be shipped.			
Quality Management Name Wolfgang Woitsch		Signature signed Woitsch	
Product Marketing Name Helko Meuche Tel. +49 89 54020 2326 Email helko.meuche@epcos.com		Signature signed Meuche	
Customer feedback			
Customer acknowledgement		Signature	