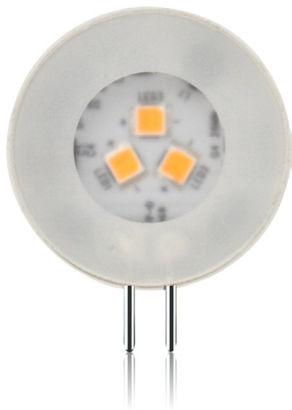


M II - Type

SPOT & FLOOD - Low Voltage

Bi-Pin G4 3LEDs



Base Type : G4.0

Input Voltage : 12V AC/DC

LED Source : Nichia

Beam Angle : 100°

**Total Power Consumption :
3.5W±10%**

Safety & Environment Specifications

M II - Type - G4 bulbs are manufactured to conform to the following safety approbation.

Certificated Mark		CE	EMC	LVD	ErP		REACH
Certificate Approval	●	●	●	●	●	●	●

Certificate Approval : ● : Completed △ : In Progress

Energy Efficiency Class : A+
Rated luminous flux (ErP) : 200lm

12V Lamps compatibility of transformers and dimmers :

Since there are various kinds of AC 12V transformers and dimmers in the market, 100% compatibility between these accessories is unlikely to be achieved.

-Electronic AC Transformer:

One and broadly compatible with 12V lamps. However, flicking and burning might occur when incompatible.

Even if the 12V lamp is compatible with the selected transformer, dimmer compatibility might be another issue that needs to be resolved.

-Magnetic AC Transformer:

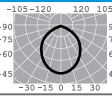
LED bulb is compatible with magnetic transformers when used with 12V halogens, however it would be less efficient and have a shorter lifespan.

Even if the 12V lamp is compatible with the selected transformer, dimmer compatibility might be another issue that needs to be resolved.

DC Power Supply/Driver:

We highly recommend using this type of device, since it gives the highest efficiency and with no compatible issue. However, the dimming function will be hindered because it is designed in constant voltage and the dimmer can not work properly with it.

Specification

Polar Diagram	No.	Part Number	LED Source	Input Voltage	CCT	C.R.I. (RA)	Beam Angle (°)	CBCP Candela (cd)	Total Pow. +/-10%	Typical Lumens (lm)	Efficiency (lm/W)	Dimming	Power Factor @ DC12V
	1	BLMG440D120-NVW307L	N-757	12V	2700K	80	100	65	3.5	180	51	NO	0.99
	2	BLMG440D120-NWW307L			3000K	80	100	70	3.5	200	57	NO	0.99
	3	BLMG440D120-NCW307L			5000K	70	100	80	3.5	215	61	NO	0.99
	4	BLMG440D120-NW307L			5700K	70	100	85	3.5	235	67	NO	0.99

Option 1 : Lamp base: G4.0

Option 2 : Input voltage will be 12V if not specified. Special request such as 24V or constant current 350mA or higher/lower can be accomplished with a different price.

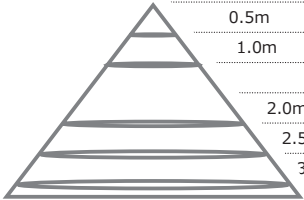
Option 3 : The above CCT. is defined based on ANSI standard. Specific color temperature can be done upon customer request. For instance 2700K could be assigned as 2580~2725K or 2725~2870K, the same can be accomplished for 3500K and 5500K as well but shall be with different price. 2200K is also available upon request.

Option 4 : 4700~6700K typical CRI +70; 2580~4500K typical CRI +80; CRI+90 is also available upon request.

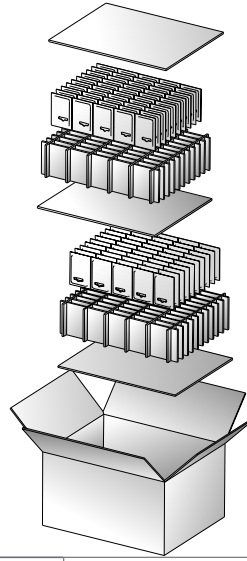
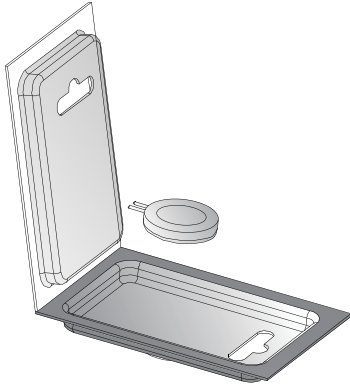
Option 5 : Power factor: AC12V is above 0.8; DC12V is 0.99

Certificate Approval :     

Illuminance Figure

Nichia-757		2700K	3000K	5000K	5700K
Average Angle: 100 deg		BLVG440D120-NVW307L	BLVG440D120-NWW307L	BLVG440D120-NCW307L	BLVG440D120-NW307L
Illuminance Figure		Center Illumination(lx)			
	0.5m	256	276	315	335
	1.0m	65	70	80	85
	2.0m	16	17	20	21
	2.5m	10	11	12	13
	3.0m	7	8	9	9

Product Packing G4



Step 1

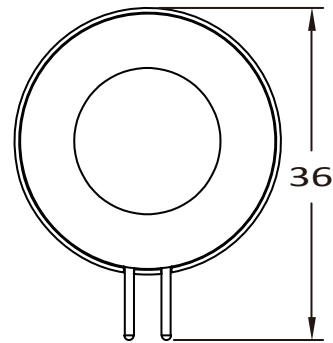
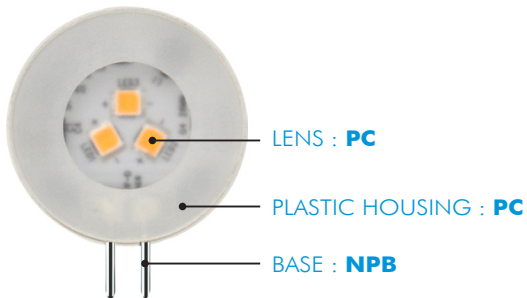
Gife Box/ White Box	1Pc of Lamp
Dimensions(mm)	L:95*W:60

Step 2

Outerior Box	100 White Boxes
Dimensions(mm)	L:385*W:310*H:215

Lamp body material

Dimension (mm) - Ø : 29
Net Weight (g)



Base G4.0
Net Weight (g) 5

Luminaire Notice

The LED Lamp is not compatible with all luminaires for halogen lamps. Before installation, please read following guidelines:

- No sealed fixtures.
- Not for outdoor fixtures.
- Not for wet environment.
- Not for integral primary optics.



No sealed fixtures Not for outdoor fixtures

Safety Label & Warning

- Do not cover lamp with paper, fabric, or any flammable material to avoid burning.
- Working Environmental Temperature: -20 ~ +40°
- Do not insert metal objects into the gap of lamp base.
- The appropriate combination of lamp and lamp base should be carefully selected for different voltage and wattage.
- Do not use in high-humidity environment or near water to avoid damage. (Except B.L.T.C. Outdoor IP65 version)
- Not suitable for use in automatic light sensor system, emergency lighting fixture and mercury fixture to avoid damage and burning.
- Do not use near flammable objects such as gasoline, spray, chemicals, paints, oil...etc.
- Do not use in place that is likely to be impacted by force or vibration.
- Do not use in acidic environment.
- Please turn the light off when installing or cleaning to avoid electrical shock.
- Please handle with care to avoid damage and collision.
- Do not touch any powered-on lamps or lamps that have just been turned off to avoid burning.
- Please ensure the lamp is tightly installed into the socket to avoid dropping.
- Please select the appropriate fixture based on lamp size and weight.

General Guideline

- Slight difference of color temperature and brightness is likely to occur for the same part number due to the difference of LED chips.
- Brightness, color temperature, and light distribution may vary with different types of bulbs.
- To avoid heat build-up and the shortening of product lifetime, sealed fixture is not recommended.
- Keep the lamp away from radio, video and television for a distance of 1 meter to avoid noise caused by interference.
- Do not install lamp in heat insulated fixture.
- Do not disassemble or reconstruct the lamp.
- Do not stare directly at the lamp to avoid eye injury.
- The light distribution may vary with different type of fixtures.
- Do not wash the lamp with water.
- Do not use the lamp outdoor if it is not marked as IP65.
- To avoid damage and poor insulation, do not use the lamp near water or in frosted environment if it is not marked as IP65.
- For lamps with a weight significantly higher than that of the lamps for which they are a replacement, attention should be drawn to the fact that the increased weight may reduce the mechanical stability of certain luminaires and lampholders and may impair contact making and lamp retention.