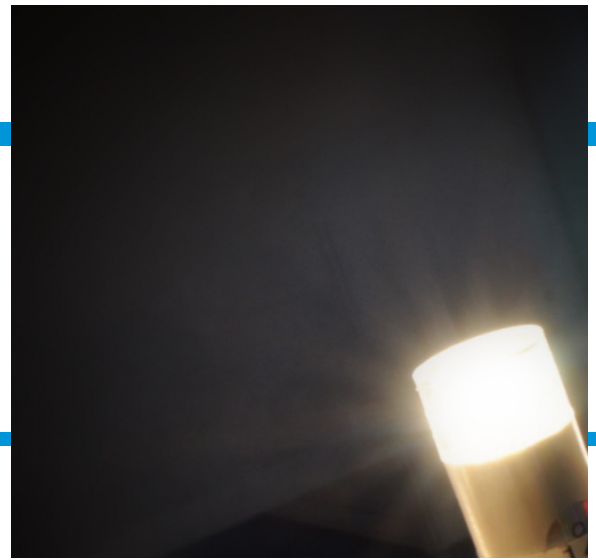


## M II - Type

SPOT & FLOOD - High Voltage

# G9 20W Equivalent



**Base Type :** G9

**Input Voltage :** H23 200~240V

**LED Source :** Epistar COG

**Beam Angle :** BB : 240° CC: 270°

**Total Power Consumption :**

1.1W±10%

### Safety & Environment Specifications

M II - Type - G9 bulbs are manufactured to conform to the following safety approbation.

Certificated Mark							
Certificate Approval	●	●	●	●	●	●	●

Certificate Approval : ● : Completed △ : In Progress

**Energy Efficiency Class : A++**  
**Rated luminous flux (ErP) : 140lm**

# Specification

Polar Diagram	No.	Part Number	LED Source	Input Voltage	CCT	C.R.I. (RA)	Beam Angle (°)	CBCP Candela (cd)	Total Pow. +/-10%	Typical Lumens (lm)	Efficiency (lm/W)	Dimming	Power Factor H23
	1	BLM13G9BB-RVW305H23	EPISTAR COG	200V/240V	2700K	80	240	5	1.1	100	91	NO	0.6
	2	BLM13G9BB-RWW305H23			3000K	80	240	5	1.1	110	100	NO	0.6
	3	BLM13G9BB-RNW305H23			4000K	80	240	10	1.1	120	109	NO	0.6
	4	BLM13G9BB-RW305H23			5700K	70	240	10	1.1	130	118	NO	0.6
	5	BLM13G9CC-RVW305H23	EPISTAR COG	200V/240V	2700K	80	270	5	1.1	90	82	NO	0.6
	6	BLM13G9CC-RWW305H23			3000K	80	270	5	1.1	100	91	NO	0.6
	7	BLM13G9CC-RNW305H23			4000K	80	270	10	1.1	110	100	NO	0.6
	8	BLM13G9CC-RW305H23			5700K	70	270	10	1.1	120	109	NO	0.6

Option 1 : Lamp base: G9

Option 2 : Input Voltage: H23 200~240V

Option 3 : The above CCT. is defined based on ANSI standard. Specific color temperature can be done upon customer request. For instance 2700K could be assigned as 2580~2725K or 2725~2870K, the same can be accomplished for 3500K and 5500K as well but shall be with different price. 2200K is also available upon request.

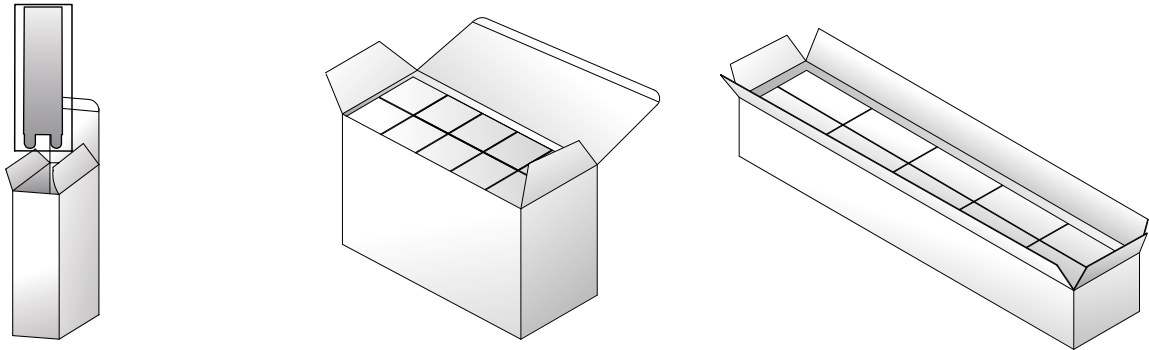
Option 4 : 4700~6700K typical CRI +70; 2580~4500K typical CRI +80; CRI+90 is also available upon request.

Option 5 : CC: Opaque Cover; BB: Clear Cover

Certificate Approval :

# 2D Drawing

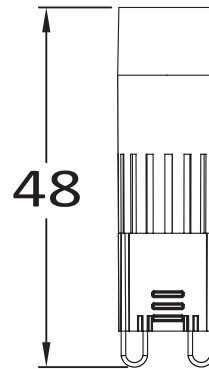
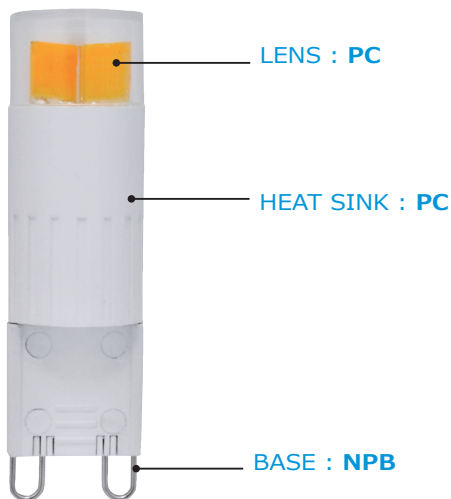
## Product Packing G9



Step 1		Step 2		Step 3	
Gife Box/ White Box	1Pc of Lamp	Inner Carton	10 Boxes	Outer Carton	10 Inner Cartons (100White Boxes)
Dimensions(mm)	L:21*W:21*H:65	Dimensions(mm)	L:110*W:48*H:71	Dimensions(mm)	L:565*W:111*H:86

### Lamp body material

Dimension (mm) - Ø : 13  
Net Weight (g)



Base G9  
Net Weight (g) 7

### Luminaire Notice

The LED Lamp is not compatible with all luminaires for halogen lamps. Before installation, please read following guidelines:

- No sealed fixtures.
- Not for outdoor fixtures.
- Not for wet environment.
- Not for integral primary optics.



No sealed fixtures Not for outdoor fixtures

## Safety Label & Warning

- Do not cover lamp with paper, fabric, or any flammable material to avoid burning.
- Working Environmental Temperature: -20 ~ +40°
- Do not insert metal objects into the gap of lamp base.
- The appropriate combination of lamp and lamp base should be carefully selected for different voltage and wattage.
- Do not use in high-humidity environment or near water to avoid damage. (Except B.L.T.C. Outdoor IP65 version)
- Not suitable for use in automatic light sensor system, emergency lighting fixture and mercury fixture to avoid damage and burning.
- Do not use near flammable objects such as gasoline, spray, chemicals, paints, oil...etc.
- Do not use in place that is likely to be impacted by force or vibration.
- Do not use in acidic environment.
- Please turn the light off when installing or cleaning to avoid electrical shock.
- Please handle with care to avoid damage and collision.
- Do not touch any powered-on lamps or lamps that have just been turned off to avoid burning.
- Please ensure the lamp is tightly installed into the socket to avoid dropping.
- Please select the appropriate fixture based on lamp size and weight.

## General Guideline

- Slight difference of color temperature and brightness is likely to occur for the same part number due to the difference of LED chips.
- Brightness, color temperature, and light distribution may vary with different types of bulbs.
- To avoid heat build-up and the shortening of product lifetime, sealed fixture is not recommended.
- Keep the lamp away from radio, video and television for a distance of 1 meter to avoid noise caused by interference.
- Do not install lamp in heat insulated fixture.
- Do not disassemble or reconstruct the lamp.
- Do not stare directly at the lamp to avoid eye injury.
- The light distribution may vary with different type of fixtures.
- Do not wash the lamp with water.
- Do not use the lamp outdoor if it is not marked as IP65.
- To avoid damage and poor insulation, do not use the lamp near water or in frosted environment if it is not marked as IP65.
- For lamps with a weight significantly higher than that of the lamps for which they are a replacement, attention should be drawn to the fact that the increased weight may reduce the mechanical stability of certain luminaires and lampholders and may impair contact making and lamp retention.