

M II - Type

Decorative Light - High Voltage

B20

3/5/10/25W Equivalent \varnothing 20mm

Non-dimmable



Ceramic Cover



Transparent Cover



Base Type : E10 / E14 / BA15

Input Voltage : H23 230V

LED Source :

Ceramic Cover : Nichia

Transparent Cover : Epistar

Total Power Consumption :

Ceramic Cover :

5W Equivalent : $0.9W \pm 10\%$

Transparent Cover :

3W Equivalent : $0.3W \pm 10\%$

5W Equivalent : $0.6W \pm 10\%$

10W Equivalent : $1.4W \pm 10\%$

25W Equivalent : $1.6W \pm 10\%$

Safety & Environment Specifications

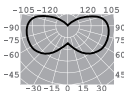
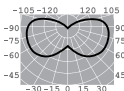
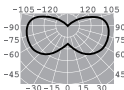
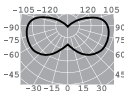
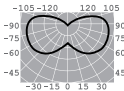
M II - Type - B20 bulbs are manufactured to conform to the following safety approbation.

Certificated Mark			EMC	LVD	ErP		REACH
Certificate Approval	•	•	•	•	•	•	•

Certificate Approval : • : Completed Δ : In Progress

Energy Efficiency Class : A++

Specification

Polar Diagram	No.	Part Number	LED No.	LED Source	Input Voltage	Total Pow. +/-10%	Power Factor H23
Ceramic Cover							
	1	BLMB20XXW-NVW402H23	4	Nichia 757	230V	0.9	0.6
	2	BLMB20XXCR-NVW402H23					
	3	BLMB20XXCG-NVW402H23					
	4	BLMB20XXCB-NVW402H23					
	5	BLMB20XXCA-NVW402H23					
Transparent Cover							
	1	BLMB20XXBB-RVW03H23	1	EPISTAR COG	230V	0.3	0.6
	2	BLMB20XXCC-RVW03H23					
	3	BLMB20XXR-RVW03H23					
	4	BLMB20XXG-RVW03H23					
	5	BLMB20XXB-RVW03H23					
	6	BLMB20XXA-RVW03H23					
	7	BLMB20XXBB-RVW06H23					
	8	BLMB20XXCC-RVW06H23	1	EPISTAR COG	230V	0.6	0.6
	9	BLMB20XXR-RVW06H23					
	10	BLMB20XXG-RVW06H23					
	11	BLMB20XXB-RVW06H23					
	12	BLMB20XXA-RVW06H23					
	13	BLMB20XXBB-RVW1H23	1	EPISTAR COG	230V	1.4	0.6
	14	BLMB20XXCC-RVW1H23					
	15	BLMB20XXR-RVW1H23					
	16	BLMB20XXG-RVW1H23					
	17	BLMB20XXB-RVW1H23					
	18	BLMB20XXA-RVW1H23					
	19	BLMB20XXBB-RVW21H23	2	EPISTAR COG	230V	1.6	0.6
	20	BLMB20XXCC-RVW21H23					
	21	BLMB20XXR-RVW21H23					
	22	BLMB20XXG-RVW21H23					
	23	BLMB20XXB-RVW21H23					
	24	BLMB20XXA-RVW21H23					

Option 1 : Lamp base : E10/E14/BA15

Option 2 : Input Voltage : H23 230V

Option 3 : Transparent Cover : BB : Clear Cover ; CC : Opaque Cover ; R : Transparent Red Cover ; G : Transparent Green Cover ; B : Transparent Blue Cover ; A : Transparent Amber Cover

Option 4 : Ceramic Cover : W : White Cover ; CR : Ceramic Red Cover ; CG : Ceramic Green Cover ; CB : Ceramic Blue Cover ; CA : Ceramic Amber Cover

Certificate Approval :     

2D Drawing

Product Packing B20

Lamp body material



Luminaire Notice

The LED Lamp is not compatible with all luminaires for halogen lamps. Before installation, please read following guidelines:

- No sealed fixtures.
- Not for integral primary optics.



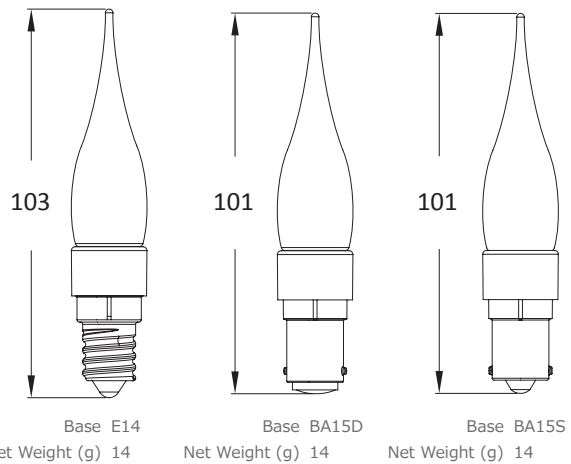
No sealed fixtures



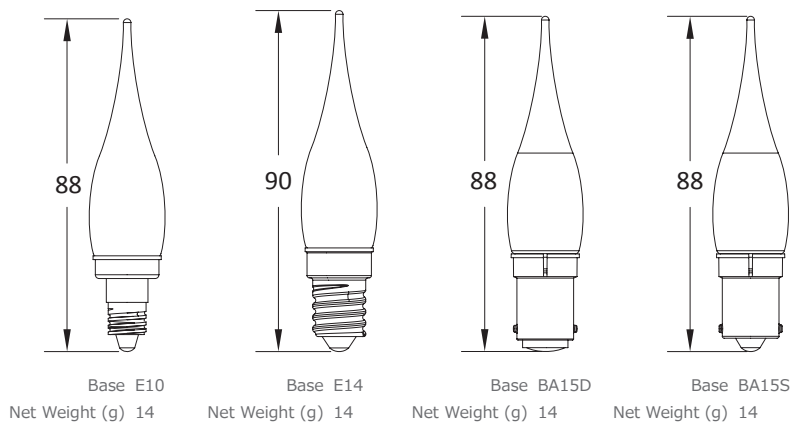
This product was certified by IP65 and can be used outdoors

Dimension (mm) - Ø : 20 Net Weight (g)

Ceramic Cover



Transparent Cover



Safety Label & Warning

- Do not cover lamp with paper, fabric, or any flammable material to avoid burning.
- Working Environmental Temperature: -20 ~ +40°
- Do not insert metal objects into the gap of lamp base.
- The appropriate combination of lamp and lamp base should be carefully selected for different voltage and wattage.
- Do not use in high-humidity environment or near water to avoid damage. (Except B.L.T.C. Outdoor IP65 version)
- Not suitable for use in automatic light sensor system, emergency lighting fixture and mercury fixture to avoid damage and burning.
- Do not use near flammable objects such as gasoline, spray, chemicals, paints, oil...etc.
- Do not use in place that is likely to be impacted by force or vibration.
- Do not use in acidic environment.
- Please turn the light off when installing or cleaning to avoid electrical shock.
- Please handle with care to avoid damage and collision.
- Do not touch any powered-on lamps or lamps that have just been turned off to avoid burning.
- Please ensure the lamp is tightly installed into the socket to avoid dropping.
- Please select the appropriate fixture based on lamp size and weight.

General Guideline

- Slight difference of color temperature and brightness is likely to occur for the same part number due to the difference of LED chips.
- Brightness, color temperature, and light distribution may vary with different types of bulbs.
- To avoid heat build-up and the shortening of product lifetime, sealed fixture is not recommended.
- Keep the lamp away from radio, video and television for a distance of 1 meter to avoid noise caused by interference.
- Do not install lamp in heat insulated fixture.
- Do not disassemble or reconstruct the lamp.
- Do not stare directly at the lamp to avoid eye injury.
- The light distribution may vary with different type of fixtures.
- Do not wash the lamp with water.
- Do not use the lamp outdoor if it is not marked as IP65.
- To avoid damage and poor insulation, do not use the lamp near water or in frosted environment if it is not marked as IP65.
- For lamps with a weight significantly higher than that of the lamps for which they are a replacement, attention should be drawn to the fact that the increased weight may reduce the mechanical stability of certain luminaires and lampholders and may impair contact making and lamp retention.