

S- type
PLL LED Lamp - High Voltage

PLL LED Lamp

Non-dimmable



Base Type : 2G11
Input Voltage : H:100~240V
LED Source : Nichia / Epistar 3020
Beam Angle : 120°
Total Power Consumption : 21W±10%



Safety & Environment Specifications

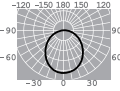
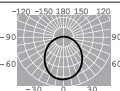
PLL LED Lamp bulbs are manufactured to conform to the following safety approbation.

Certificated Mark			EMC	LVD	ErP		REACH
Certificate Approval	●	●	●	●	●	●	●

Certificate Approval : ● : Completed △: In Progress

Energy Efficiency Class : A+
Rated luminous flux (ErP) : 1200lm

Specification

Polar Diagram	No.	Part Number	LED Source	Input Voltage	CCT	C.R.I. (RA)	Beam Angle (°)	CBCP Candela (cd)	Total Pow. +/-10%	Typical Lumens (lm)	Efficiency (lm/W)	Dimming	Power Factor H2
410mm													
	1	MES410XXCC-NVW12005H	N-157	Universal 100-240V	2700K	80	120	500	21	1525	73	NO	0.9
	2	MES410XXCC-NWW12005H	N-157		3000K	80	120	545	21	1660	79	NO	0.9
	3	MES410XXCC-NCW12005H	N-157		5000K	70	120	600	21	1825	87	NO	0.9
	4	MES410XXCC-NW12005H	N-157		5700K	70	120	650	21	1980	94	NO	0.9
	5	MES410XXCC-OVW12005H	EPISTAR 3020	Universal 100-240V	2700K	80	120		21	1950	93	NO	0.9
	6	MES410XXCC-OWW12005H	EPISTAR 3020		3000K	80	120		21	2125	101	NO	0.9
	7	MES410XXCC-ONW12005H	EPISTAR 3020		4000K	80	120		21	2340	111	NO	0.9
	8	MES410XXCC-OW12005H	EPISTAR 3020		5700K	70	120		21	2535	121	NO	0.9

Option 1 : Lamp base: GV10Q / 2G11

Option 2 : Input Voltage: H 100~240V

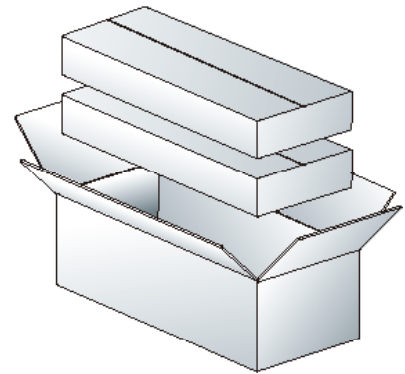
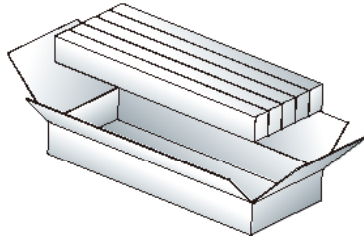
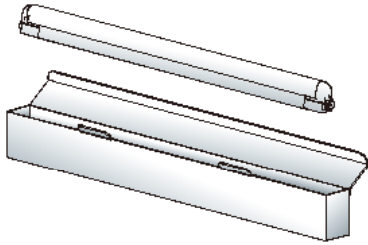
Option 3 : The above CCT. is defined based on ANSI standard. Specific color temperature can be done upon customer request. For instance 2700K could be assigned as 2580~2725K or 2725~2870K, the same can be accomplished for 3500K and 5500K as well but shall be with different price. 2200K is also available upon request.

Option 4 : 4700~6700K typical CRI +70; 2580~4500K typical CRI +80; CRI+90 is also available upon request.

Certificate Approval :     

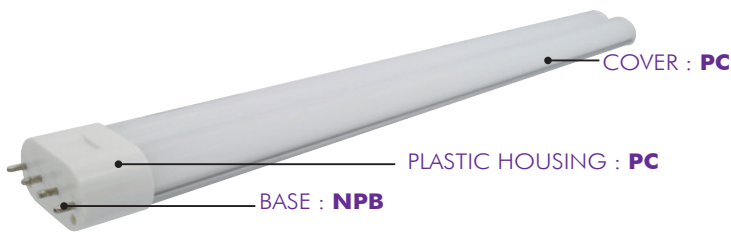
2D Drawing

Product Packing PLL LED

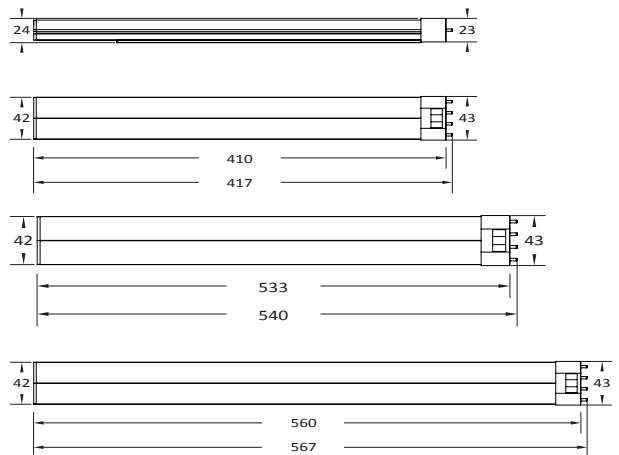


Step 1	Step 2	Step 3
Gife Box/ White Box	Inner Carton	Outer Carton
1Pc of Lamp	5 Boxes	2 Inner Cartons (10 White Boxes)
Dimensions(mm) L:445*W:70*H:46 L:573/600*W:70*H:46	Dimensions(mm) L:465*W:250*H:90 L:583/610*W:250*H:85	Dimensions(mm) L:485*W:270*H:200 L:603/630*W:270*H:195

Lamp body material



Dimension (mm) Ø: Net Weight (g)



Base 2G11

Net Weight (g)



No sealed fixtures

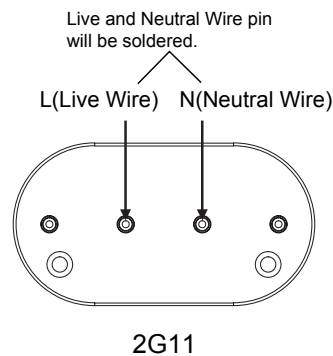


Not for outdoor fixtures

Luminaire Notice

The LED Lamp is not compatible with all luminaires for halogen lamps. Before installation, please read following guidelines:

- No sealed fixtures.
- Not for outdoor fixtures.
- Not for wet environment.
- Not for integral primary optics.

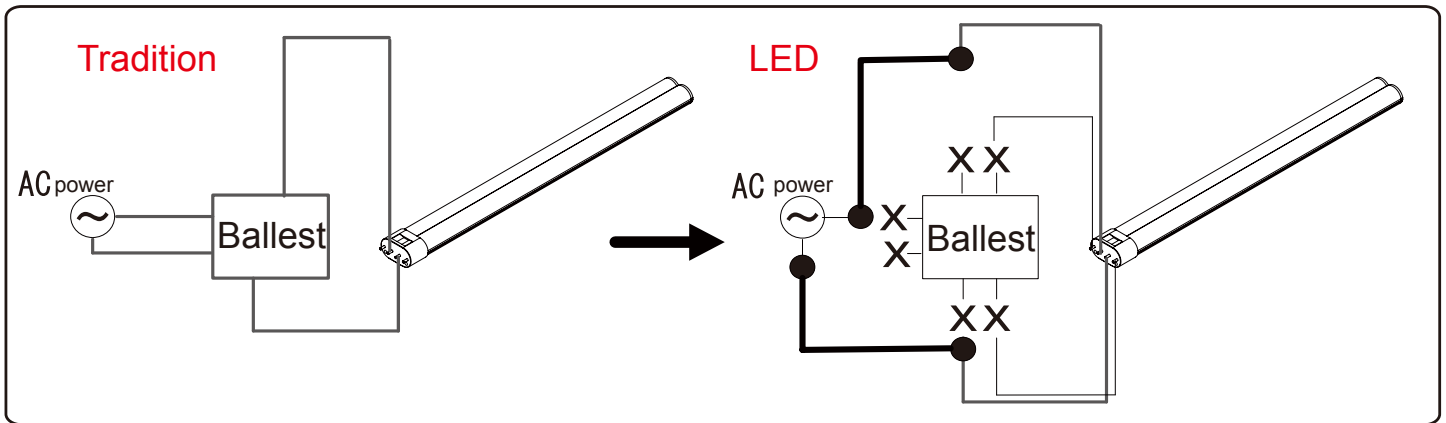
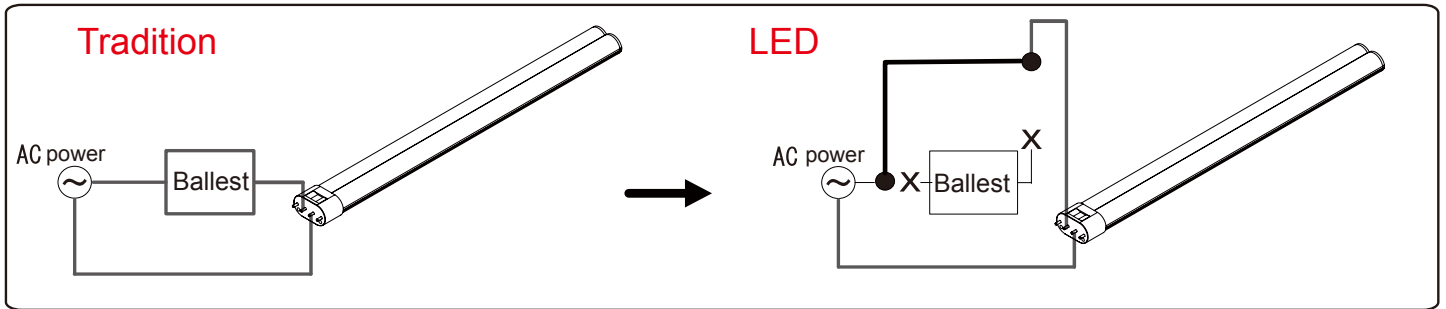


2G11

Installation Procedure:

To be Carried Out by a Qualified Person

- 1) Ensure that mains supply is switched off before installation, maintenance or lamp replacement.
- 2) Where applicable, remove diffuser, existing lamp(s) and starter.
- 3) Remove/bypass existing ballast and connect Live and Neutral.
- 4) Insert the BLTC LED Lamp.
- 5) Ensure all screws/clips are secured, wiring is safely protected and diffusers replaced before switching on power.



Safety Label & Warning

- Do not cover lamp with paper, fabric, or any flammable material to avoid burning.
- Working Environmental Temperature: -20 ~ +40°
- Do not insert metal objects into the gap of lamp base.
- The appropriate combination of lamp and lamp base should be carefully selected for different voltage and wattage.
- Do not use in high-humidity environment or near water to avoid damage. (Except B.L.T.C. Outdoor IP65 version)
- Not suitable for use in automatic light sensor system, emergency lighting fixture and mercury fixture to avoid damage and burning.
- Do not use near flammable objects such as gasoline, spray, chemicals, paints, oil...etc.
- Do not use in place that is likely to be impacted by force or vibration.
- Do not use in acidic environment.
- Please turn the light off when installing or cleaning to avoid electrical shock.
- Please handle with care to avoid damage and collision.
- Do not touch any powered-on lamps or lamps that have just been turned off to avoid burning.
- Please ensure the lamp is tightly installed into the socket to avoid dropping.
- Please select the appropriate fixture based on lamp size and weight.

General Guideline

- Slight difference of color temperature and brightness is likely to occur for the same part number due to the difference of LED chips.
- Brightness, color temperature, and light distribution may vary with different types of bulbs.
- To avoid heat build-up and the shortening of product lifetime, sealed fixture is not recommended.
- Keep the lamp away from radio, video and television for a distance of 1 meter to avoid noise caused by interference.
- Do not install lamp in heat insulated fixture.
- Do not disassemble or reconstruct the lamp.
- Do not stare directly at the lamp to avoid eye injury.
- The light distribution may vary with different type of fixtures.
- Do not wash the lamp with water.
- Do not use the lamp outdoor if it is not marked as IP65.
- To avoid damage and poor insulation, do not use the lamp near water or in frosted environment if it is not marked as IP65.
- For lamps with a weight significantly higher than that of the lamps for which they are a replacement, attention should be drawn to the fact that the increased weight may reduce the mechanical stability of certain luminaires and lampholders and may impair contact making and lamp retention.