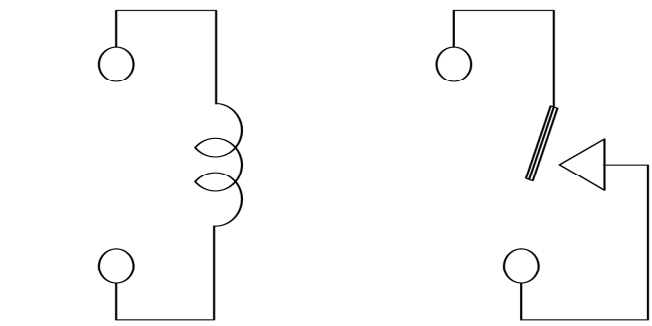
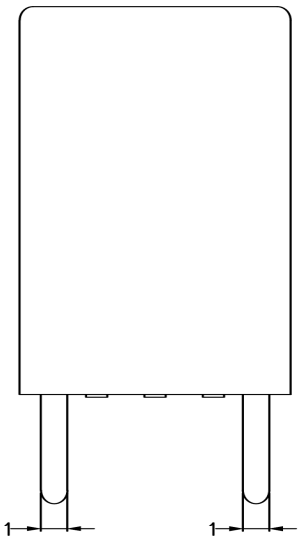
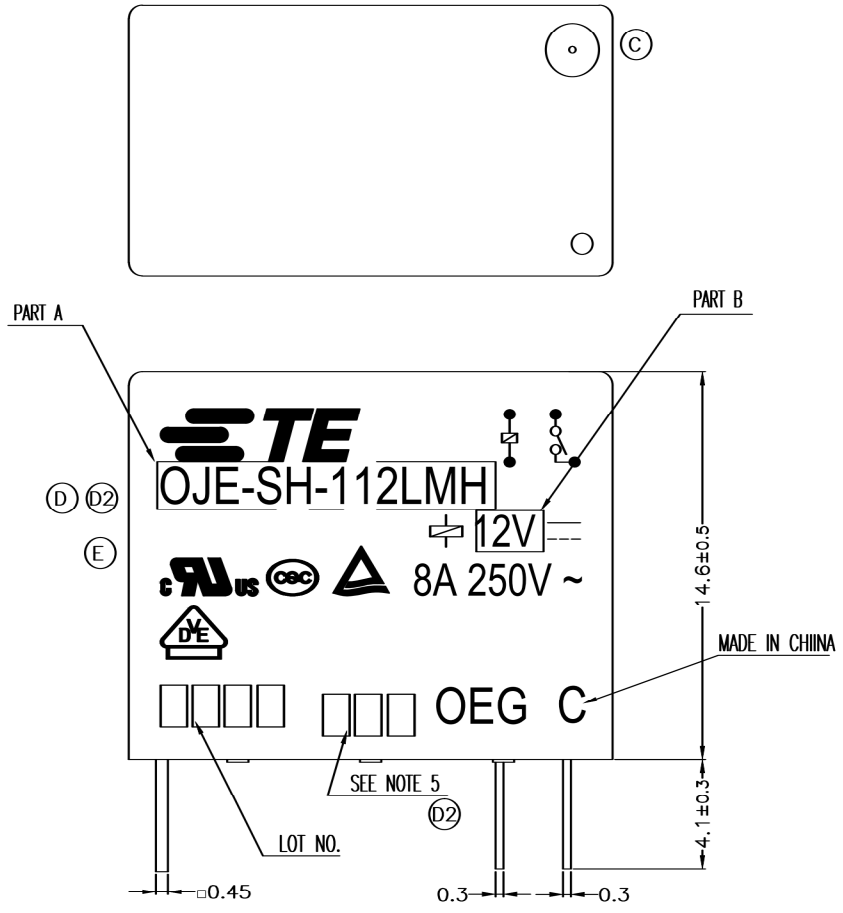


THIS DRAWING IS UNPUBLISHED. RELEASED FOR PUBLICATION
 © COPYRIGHT - By - TE CONNECTIVITY ALL RIGHTS RESERVED.

LOC	DIST	REVISIONS			
P	LTR	DESCRIPTION	DATE	DWN	APVD
HB	-				
	E	REMOVED CSA&OPTIMIZATION SSA RATING&USING WELDED CONTACT ECO-13-017354	18Feb2014	HYS	B.F



CONNECTION FIGURE

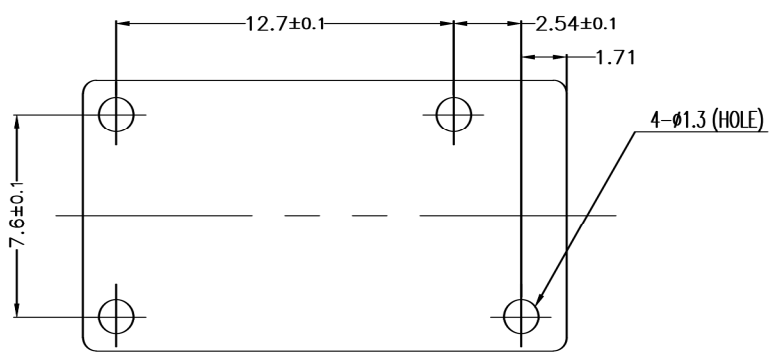
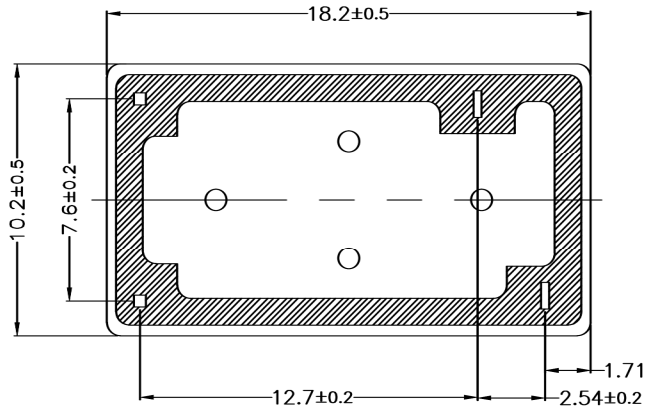


FIGURE FOR PRINTED CIRCUIT BOARD PROCESSING (BOTTOM VIEW)



THIS DRAWING IS A CONTROLLED DOCUMENT.		DWN	H.SASAKI	-	TE Connectivity OJE-SS-LMH CUSTOMER DRAWING
DIMENSIONS: mm		CHK	Y.OIKAWA	-	
TOLERANCES UNLESS OTHERWISE SPECIFIED:		APVD	A.NAGAI	-	
0 PLC ± - 1 PLC ± - 2 PLC ± - 3 PLC ± - 4 PLC ± - ANGLES ± -		PRODUCT SPEC	SEE PRODUCT SPEC		
MATERIAL	FINISH	APPLICATION SPEC	-		NAME
-	-	WEIGHT	-		SIZE
		CUSTOMER DRAWING	A3 00779		DRAWING NO
			C= 1461034		RESTRICTED TO
		SCALE	5:1	SHEET	1 OF 2
				REV	E

THIS DRAWING IS UNPUBLISHED.

RELEASED FOR PUBLICATION

© COPYRIGHT - By - TE CONNECTIVITY

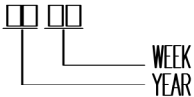
ALL RIGHTS RESERVED.

LOC	DIST	REVISIONS					
HB	-	P	LTR	DESCRIPTION	DATE	DWN	APVD
		-		SEE SHEET 1	-	-	-

7-1419128-1	OJE-SS-124LMH	107-79010	24V	OJE-SS-124LMH	e
5-1419128-0	OJE-SS-112LMH	107-79010	12V	OJE-SS-112LMH	d
5-1419144-3	OJE-SS-109LMH	107-79010	9V	OJE-SS-109LMH	c
5-1419144-1	OJE-SS-106LMH	107-79010	6V	OJE-SS-106LMH	b
1461034-2	OJE-SS-105LMH	107-79010	5V	OJE-SS-105LMH	a
PART NO	TYPE NAME	PACKAGE SPEC	PART B	PART A	TYPE

RELAY TYPE

① ② NOTES:
1.LOT NO. SYSTEM AS FOLLOWING:



② 2.TERMINAL DIMENSION IS BEFORE SOLDER DIP;

③ 3.FOR THE TIN-PLATING OF THE PINS:
+0.1mm FOR WIDTH,THICKNESS AND DIAMETER.
+0.5mm FOR LENGTH.

④ ⑤ 4.MARKING FROM INK TO LASER AND USING WELDED CONTACT

⑥ 5.ADD LOT NO. SYSTEM AS FOLLOWING;
I, DIGITS FOR DAY OF THE WEEK
1...MONDAY IN THIS WEEK;
2...TUESDAY IN THIS WEEK;
.....
7...SUNDAY IN THIS WEEK
II, DIGITS FOR SHIFT OF THE DAY
1...DAY SHIFT IN THIS DAY;
2...NIGHT SHIFT IN THIS DAY;
III, ONE CHARACTER DISTINGUISH THE LINE IDENTITY,
SUCH AS: A,B,.....Z

		EPOXY RESIN	SEAL (BASE & BOBBIN)	15
		JUEW	MAGNETIC WIRE	14
94V-0		P.B.T	CASE	13
94V-0		P.B.T	BASE	12
94V-0		P.B.T	BOBBIN	11
	SOLDER DIP	C.P WIRE	COIL TERMINAL	10
94V-0		P.P.S	CARD	9
		Ag ALLOY	MOVABLE CONTACT	8
		Ag ALLOY	NO.CONTACT	7
		STEEL	HINGE SPRING	6
	SOLDER DIP	Cu ALLOY	NO.TERMINAL	5
	SOLDER DIP	Cu ALLOY	MOVABLE SPRING	4
	NIP	STEEL	CORE	3
	NIP	STEEL	ARMATURE	2
	NIP	STEEL	YOKE	1
INCOMBUSTIBILITY	TREATMENT	MATERIAL	DESCRIPTION	ITEM

THIS DRAWING IS A CONTROLLED DOCUMENT.		DWN	H.SASAKI	-
DIMENSIONS: mm		CHK	Y.OIKAWA	-
TOLERANCES UNLESS OTHERWISE SPECIFIED:		APVD	A.NAGAI	-
	0 PLD ± -	NAME		
	1 PLD ± -	OJE-SS-LMH CUSTOMER DRAWING		
	2 PLD ± -	SIZE		
	3 PLD ± -	CAGE CODE		
4 PLD ± -	DRAWING NO			
ANGLES ± -	RESTRICTED TO			
MATERIAL	FINISH	WEIGHT	A3	00779
-		-		C=
-		-		1461034
-		-		SCALE 5:1
-		-		SHEET 2 OF 2
-		-		REV E