

### Main

Commercial Status	Commercialised
Range of product	Harmony 9001K
Product or component type	Contact block with protected terminals
Device short name	9001K

### Complementary

Terminals description ISO n°1	(3-4)NO
Product weight	0.023 kg
Contacts type and composition	1 NC
Contacts operation	Standard
Positive opening	With conforming to IEC 60947-5-2
Connections - terminals	Screw clamp terminals (1 x 0.22...2 x 1.5 mm <sup>2</sup> ) conforming to IEC 60947-1
Tightening torque	0.8 N.m conforming to IEC 60947-1
Shape of screw head	Cross slotted head
Contacts material	Silver alloy contacts
Short circuit protection	10 A cartridge fuse conforming to IEC 60947-5-1
[I <sub>th</sub> ] conventional free air thermal current	10 A
[U <sub>i</sub> ] rated insulation voltage	250 V (degree of pollution: 3) conforming to IEC 60947-1
[U <sub>imp</sub> ] rated impulse withstand voltage	2.5 kV conforming to IEC 60947-1
[I <sub>e</sub> ] rated operational current	0.55 A at 125 V DC-13, A600-Q600 conforming to NEMA 3 A at 240 V AC-15, A600-Q600 conforming to NEMA
[I <sub>cm</sub> ] rated short-circuit making capacity	<= 0.1 kA at 600 V DC-13 <= 0.55 kA at 125 V DC-13 <= 0.27 kA at 250 V DC-13 <= 60 kA at 120 V AC-15, 7200 VA <= 30 kA at 240 V AC-15, 7200 VA <= 15 kA at 480 V AC-15, 7200 VA <= 12 kA at 600 V AC-15, 7200 VA
Rated breaking capacity	<= 1.5 kA at 480 V AC-15, 720 VA <= 1.2 kA at 600 V AC-15, 720 VA <= 0.55 kA at 125 V DC-13 <= 0.27 kA at 250 V DC-13 <= 0.1 kA at 600 V DC-13 <= 6 kA at 120 V AC-15, 720 VA <= 3 kA at 240 V AC-15, 720 VA

### Environment

Protective treatment	TC
Ambient air temperature for storage	-40...70 °C
Ambient air temperature for operation	-25...70 °C
Class of protection against electric shock	Class II conforming to IEC 61140
IP degree of protection	IP20 conforming to IEC 60529

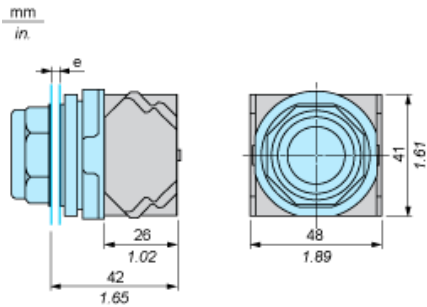
The information provided in this documentation contains general descriptions and/or technical characteristics of the performance of the products contained herein. This documentation is not intended as a substitute for and is not to be used for determining suitability or reliability of these products for specific user applications. It is the duty of any such user or integrator to perform the appropriate and complete risk analysis, evaluation and testing of the products with respect to the relevant specific application or use thereof. Neither Schneider Electric Industries SAS nor any of its affiliates or subsidiaries shall be responsible or liable for misuse of the information contained herein.

Standards	EN/IEC 60947-1 EN/IEC 60947-5-1 EN/IEC 60947-5-4 JIS C 4520 JIS C 852 UL 508 CSA C22.2 No 14
Product certifications	NEMA UL 508
Vibration resistance	7 gn (f = 2...500 Hz) conforming to IEC 60068-2-6
Shock resistance	50 gn conforming to IEC 60068-2-27

### Offer Sustainability

RoHS	Compliant - since 0921 - <a href="#">Schneider Electric declaration of conformity</a>
REACH	Reference not containing SVHC above the threshold

Dimensions



e panel thickness: 1 to 6 mm / 0.04 to 0.24 in.

---

Contact Block Mounting Position

---

Top and Rear views



- (1) It is possible to mount up to 3 levels of contacts blocks (maximum of 6 contacts blocks)
- (2) Operator
- (3) Locating notch
- (4) Side 1
- (5) Side 2