

XVGU3SHAV

Multi-color USB Programmable tower lights -60mm- steady/flashing LED-buzzer



Main

Commercial Status	Commercialised
Range of product	Harmony XVGU
Product or component type	USB configurable monolithic tower light
Beacon or indicator bank unit type	3 illuminated units
Sound signalling	Buzzer
Mounting diameter	60 mm
Component name	XVGU
Light source	Multi-colour LED with steady or flashing signalling
Indicator bank base type	Base with integrated buzzer
Noise level	85 dB (2 tone buzzer signalling) at 1 m

Complementary

Material	PC (globe)
Device mounting	Tube mounting with fixing plate
Light block color	Clear/Clear/Clear
[Us] rated supply voltage	5 V DC
Connector type	USB type A female
Current consumption	400 mA
Sound frequency	3800 Hz 2700 Hz
Power consumption	2 W
Flashing frequency	1 Hz with flashing LED unit 2 Hz with flashing LED unit
Product compatibility	XBTGH XBTGC2. XBTGC1. XBTGK.... XBTGT.... HMIGTO Vijeo Designer 4.6(indoor use only)
Product weight	0.3 kg

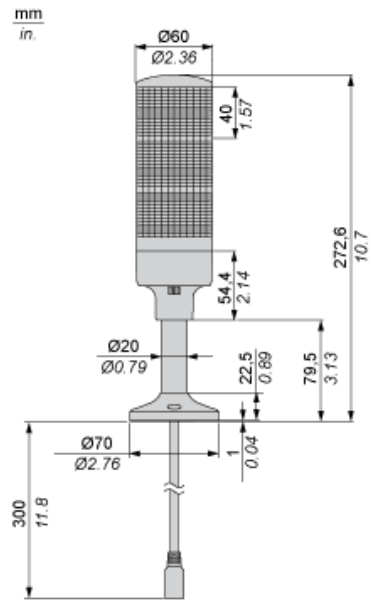
Environment

Standards	EN 61000-6-2 EN 61000-6-4
Product certifications	CE CUL GOST RCM
Ambient air temperature for storage	-35...70 °C
Ambient air temperature for operation	0...55 °C
Class of protection against electric shock	Class I
IP degree of protection	IP54

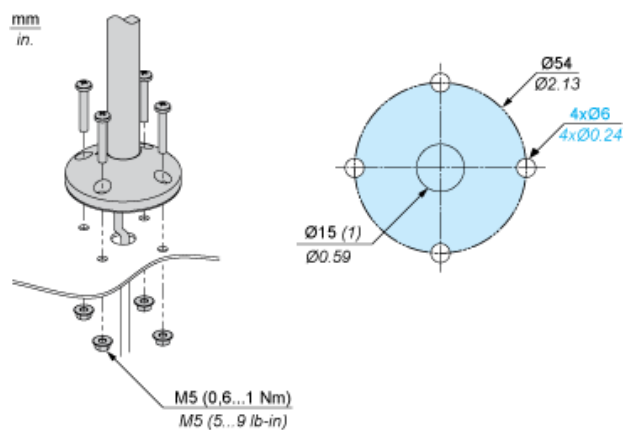
The information provided in this documentation contains general descriptions and/or technical characteristics of the performance of the products contained herein. This documentation is not intended as a substitute for and is not to be used for determining suitability or reliability of these products for specific user applications. It is the duty of any such user or integrator to perform the appropriate and complete risk analysis, evaluation and testing of the products with respect to the relevant specific application or use thereof. Neither Schneider Electric Industries SAS nor any of its affiliates or subsidiaries shall be responsible or liable for misuse of the information contained herein.

Dimensions

Tube Mounting with Fixing Plate

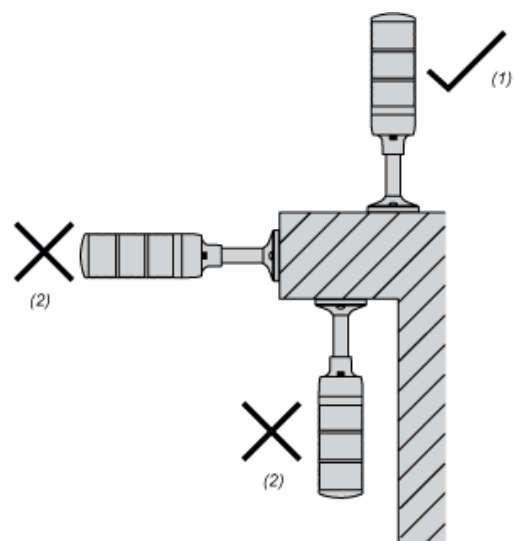


Mounting on Horizontal Support for Tube Mounting with Fixing Plate



(1) Cable outlet

Mounting Orientation



Choose a flat surface with enough strength and with little vibration for installation. Mount this product according to the figure to maintain IP characteristics.

- (1) OK
- (2) NO