



Main

Commercial Status	Commercialised
Range of product	Zelio Relay
Product or component type	Socket
Contact terminal arrangement	Separate
Product compatibility	Plug-in relay, RSL, 1 C/O, control circuit 60 V DC Plug-in relay, RSL, 1 C/O, control circuit 48 V DC
Shape of pin	Flat
Device short name	RSLZ
Sale per indivisible quantity	10
Switching voltage	60 V AC/DC 48 V AC/DC

Complementary

[I _{th}] conventional free air thermal current	6 A
[U _e] rated operational voltage	< 300 V AC
Clamping force	10...40 N
Fixing mode	Plastic compression spring mounting on 35 mm symmetrical DIN rail
Marking	CE
CAD overall width	6.2 mm
CAD overall height	78.6 mm
CAD overall depth	101 mm
Product weight	0.023 kg
Rated operational voltage limits	43.2...57.6 V 54...72 V

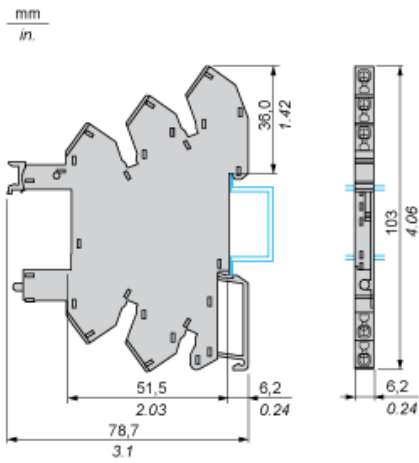
Environment

Connections - terminals	Spring terminals, 1 x 0.2...1 x 1.5 mm ² /AWG24...AWG16 solid cable without cable end Spring terminals, 1 x 0.2...1 x 1.5 mm ² /AWG24...AWG16 flexible cable with cable end
Standards	IEC 61984 UL 508
Product certifications	CSA GOST
Ambient air temperature for storage	-40...85 °C
Ambient air temperature for operation	-40...70 °C
IP degree of protection	IP20 conforming to EN/IEC 60529
Dielectric strength	2500 V

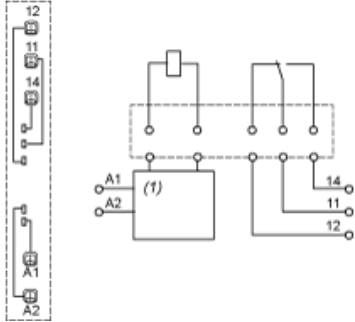
Contractual warranty

Period	18 months
--------	-----------

Dimensions



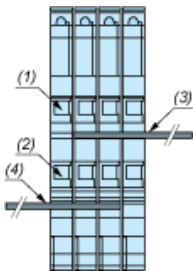
Wiring Diagram



(1) Protection circuit

Example of RSLZ2 Bus Jumper Mounting on Sockets

Side View



- (1) A1
- (2) A2
- (3) Bus jumper polarity A1
- (4) Bus jumper polarity A2