

# Universal Snap-In Panel Jacks

## Works with All Miniature and Standard Male Connectors

### Type UPJ Glass-Filled Nylon

### Rated -29 to 220°C (-20 to 425°F)

**New Industry Standard!**  
Two Connectors in One!



**Fits All**

**Most Popular**



SPJ-CAP, extra supply of dust caps, pkg of 12

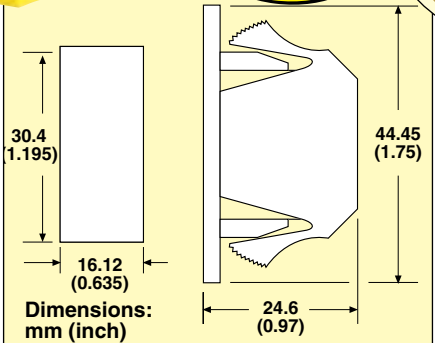


Miniature connector

Standard connector

For miniature panel jacks and aluminum panels please see next page for details.

- Heavy Duty
- No Special Mounting Hardware Required
- No Installation Tools Needed
- Interlocking Design
- Combination Phillips/Slot Screws
- Color-Coded
- Numbered, Reusable
- Accepts Stranded or Solid Wire up to Size 14 AWG
- Wire Divider



For additional universal connectors visit [newportUS.com](http://newportUS.com)

Discount Schedule	
1-10 .....	Net
11-49 .....	5%
50-99 .....	10%
100-999 .....	15%
1000-4999 .....	20%
5000 and over.....	25%



**SIRT-1 Removal Tool**  
For the large volume user who requires the ability to quickly remove installed connectors, the SIRT-1 removal tool is invaluable. Operating easily even in densely packed panels, the tool compresses all spring clips together, allowing the UPJ to be pushed out of the panel from the rear.

**We make running changes when technical advances allow. Check at time of ordering for additional features.**

**To Order (Visit [newportUS.com/upj](http://newportUS.com/upj) for Pricing and Details)**

Alloy Code†	Type of Thermocouple Used With Connector	Compensating Alloy Used in Connector		Shell Color	Model Number (Female)
		+	-		
<b>K</b>	CHROME <sup>®</sup> -ALOME <sup>®</sup>	CHROME <sup>®</sup>	ALOME <sup>®</sup>	Yellow	<b>UPJ-K-F</b>
<b>T</b>	Copper-Constantan	Copper	Constantan	Blue	<b>UPJ-T-F</b>
<b>J</b>	Iron-Constantan	Iron	Constantan	Black	<b>UPJ-J-F</b>
<b>F</b>	CHROME <sup>®</sup> -Constantan	CHROME <sup>®</sup>	Constantan	Purple	<b>UPJ-E-F</b>
<b>R/S</b>	Pt/13% Rh-Pt	Copper	RNX/SNX	Green	<b>UPJ-R/S-F</b>
<b>U</b>	Uncompensated	Copper	Copper	White	<b>UPJ-U-F</b>
<b>N</b>	OMEGALLOY <sup>®</sup>	OMEGA-P <sup>®</sup>	OMEGA-N <sup>®</sup>	Orange	<b>UPJ-N-F</b>

OMEGALLOY<sup>®</sup> is generically known as Nicrosil-Nisil.  
 † K, T, J, E, R, S and B are ANSI designations. ANSI color models shown.  
 Note: Type U (Uncompensated) connectors are used with Type B thermocouples, (Pt/6%Rh-Pt/30%Rh)  
 Ordering Example: **UPJ-K-F**, Type K universal panel jack for use with CHROME<sup>®</sup>-ALOME<sup>®</sup> female connector.

G