

MOTOR-DRIVEN TYPES

TYPE	Approximate Driving Torque Oz-In	KpCm	No-Load Loss at 60 Hertz† (Watts)	D-C Resistance per Coil*† (Ohms)
21	15-25	1.1-1.8	3.0	4.4
21-2	35-45	2.5-3.2	6.0	4.4
21-3	70-80	5-5.8	9.0	4.4
22	20-30	1.4-2.2	3.0	10.8
22-2	45-60	3.2-4.3	6.0	10.8
22-3	70-90	5-6.5	9.0	10.8

†Data applies to M prefixed models also.
*Measured from start to end of winding.

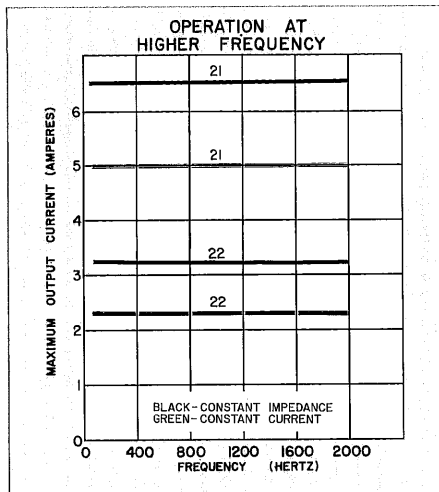
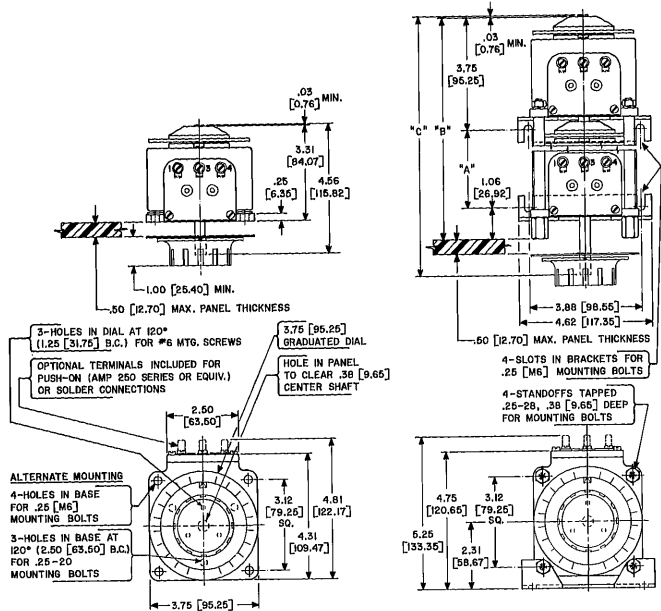


FIGURE A

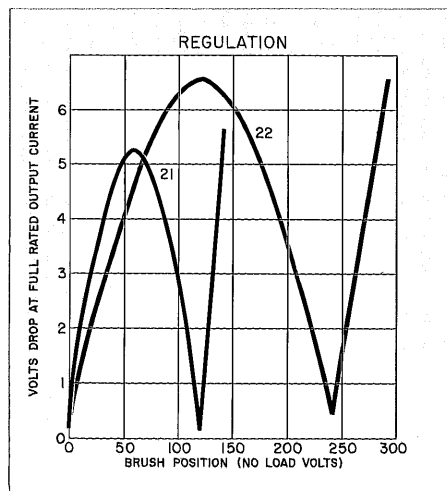
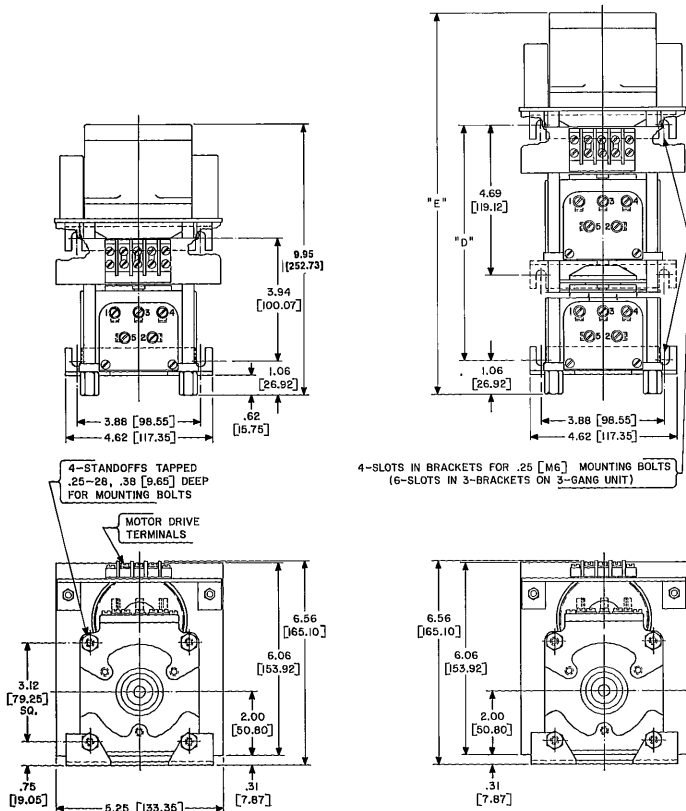


FIGURE B

SINGLE MANUAL

GANGED MANUAL

TYPE	"A"	"B"	"C"	"D"	"E"
2-GANG	2.69 [68.32]	7.50 [190.50]	8.75 [222.25]	7.38 [187.45]	13.39 [340.11]
3-GANG	6.12 [155.45]	10.94 [277.87]	12.19 [309.63]	10.81 [274.57]	16.83 [427.48]



SINGLE MOTOR DRIVEN

GANGED MOTOR DRIVEN