

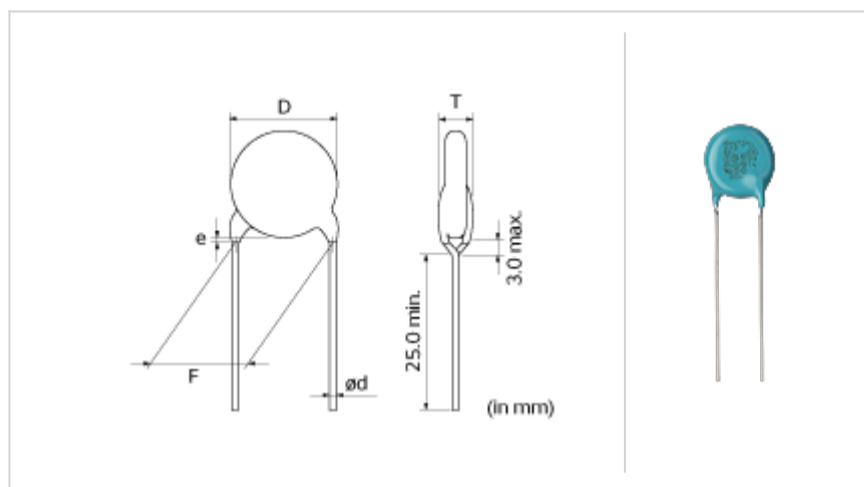
DE2E3KH102MA3B

" # " indicates a package specification code.



< List of part numbers with package codes >
DE2E3KH102MA3B

Shape



| | |
|---------------------------------|------------------------|
| L size or outer diameter D (mm) | 8.0 mm max. |
| T size | 7.0 mm max. |
| Lead spacing F | 7.5 ± 1.0mm |
| Lead diameter d | 0.6 ± 0.05mm |
| Paint dripping e | Up to the end of crimp |

Notes

X1/Y2 Class Certified Products
Please use replacement

References

| Packaging | Specifications | Minimum quantity |
|-----------|-----------------|------------------|
| B | Packing in bulk | 250 |

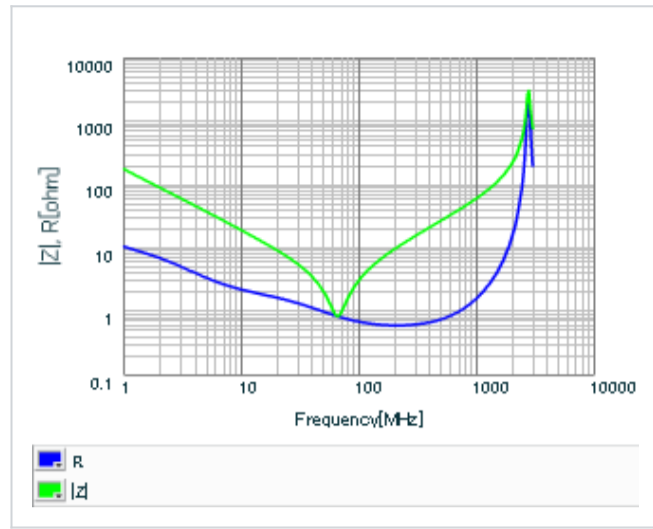
Specifications

| | |
|--|----------------|
| Capacitance | 1000pF ± 20% |
| Rated voltage | 250Vac(r.m.s.) |
| Temperature characteristics (complied standard) | E(JIS) |
| Capacitance change rate | +20/-55% |
| Temperature range of temperature characteristics | -25 to 85 |
| Operating temperature range | -40 to 125 |

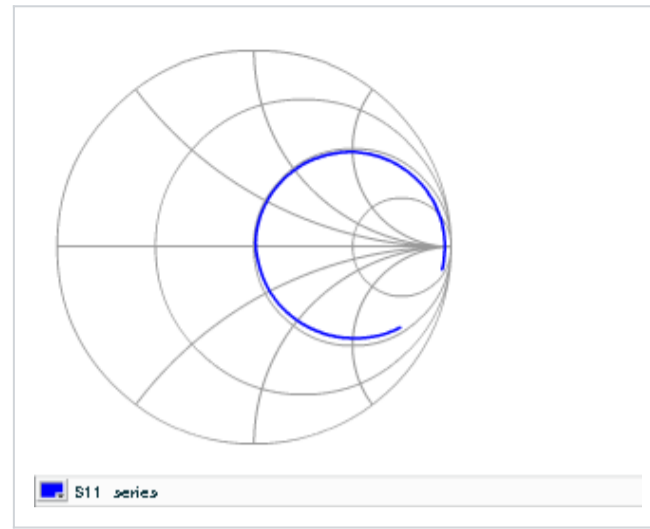
⚠ Attention

- 1.This datasheet is downloaded from the website of Murata Manufacturing Co., Ltd. Therefore, it ' s specifications are subject to change or our products in it may be discontinued without advance notice. Please check with our sales representatives or product engineers before ordering.
- 2.This datasheet has only typical specifications because there is no space for detailed specifications. Therefore, please review our product specifications or consult the approval sheet for product specifications before ordering.

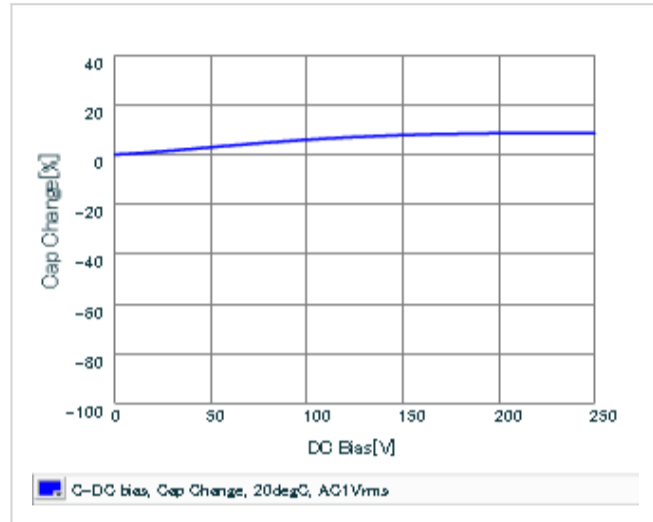
▪ Frequency characteristics (ESR, Impedance)



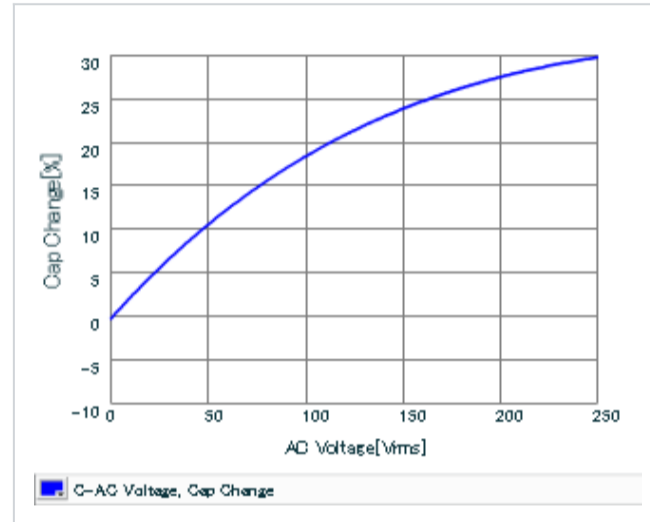
▪ S parameter (Smith chart S11)



▪ DC bias characteristics



▪ AC voltage characteristics



▪ Capacitance - temperature characteristics

