

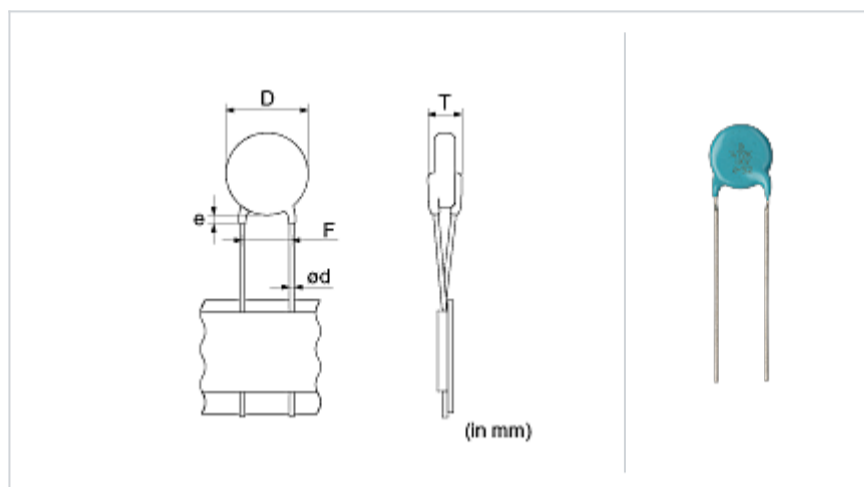
# DEBB33A101KP2A

" # " indicates a package specification code.



< List of part numbers with package codes >  
DEBB33A101KP2A

## Shape



L size or outer diameter D (mm)	4.5 mm max.
T size	4.0 mm max.
Lead spacing F	5.0 +0.8/-0.2mm
Lead diameter d	0.6 ± 0.05mm
Paint dripping e	3.0mm max.

## Specifications

Capacitance	100pF ± 10%
Rated voltage	1000Vdc
Temperature characteristics (complied standard)	B(JIS)
Capacitance change rate	± 10%
Temperature range of temperature characteristics	-25 to 85
Operating temperature range	-25 to 85

## Notes

Please use replacement

## References

Packaging	Specifications	Minimum quantity
A	Ammo pack taping type	1500

### ⚠ Attention

- 1.This datasheet is downloaded from the website of Murata Manufacturing Co., Ltd. Therefore, it ' s specifications are subject to change or our products in it may be discontinued without advance notice. Please check with our sales representatives or product engineers before ordering.
- 2.This datasheet has only typical specifications because there is no space for detailed specifications. Therefore, please review our product specifications or consult the approval sheet for product specifications before ordering.