

(2,54 mm) .100"

PEC SERIES

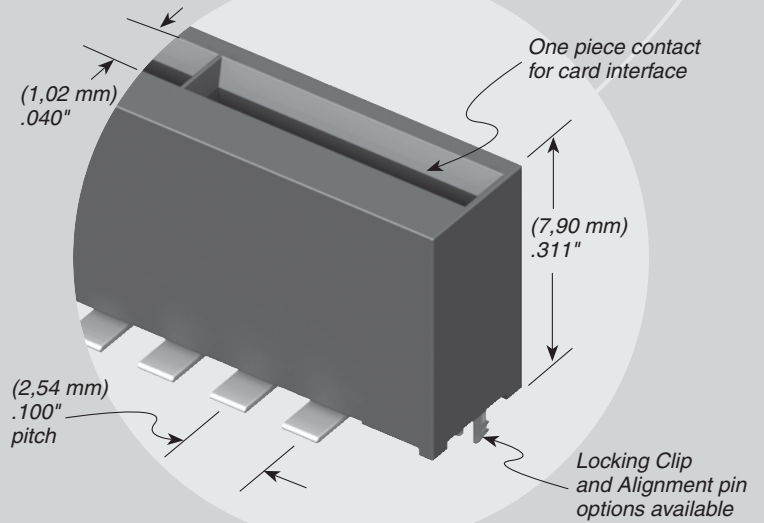
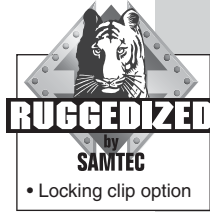
# POWER EDGE CARD CONNECTOR

## SPECIFICATIONS

For complete specifications and recommended PCB layouts see [www.samtec.com?PEC](http://www.samtec.com?PEC)

- Insulator Material:**  
Black Liquid Crystal Polymer
- Contact Material:**  
BeCu
- Plating:**  
Sn over 50µ" (1,27 µm) Ni
- Current Rating:**  
7.5 A per pin  
(1 pin powered)
- Operating Temp Range:**  
-55°C to +105°C
- Voltage Rating:**  
250 VAC
- RoHS Compliant:**  
Yes

- Processing:**  
Lead-Free Solderable:  
Yes
- SMT Lead Coplanarity:**  
(0,10 mm) .004" max



## RECOGNITIONS

For complete scope of recognitions see [www.samtec.com/quality](http://www.samtec.com/quality)



PEC	NO. PINS PER ROW	LEAD STYLE	PLATING OPTION	S	OPTION
	-03, -07, -10	-01 = Straight Tail -02 = Surface Mount	-T = Matte Tin		-A = Alignment Pin (N/A with -LC) -LC = Locking Clip (Manual placement required) (N/A with -A)

NO. OF POSITIONS	A	B	C
-03	(12,70) .500	(11,43) .450	N/A
-07	(22,86) .900	(21,59) .850	(8,89) .350
-10	(30,48) 1.200	(29,21) 1.150	(11,43) .450

**Note:** Some sizes, styles and options are non-standard, non-returnable.