



QRM8-078-05.0-L-D-A

QRM8-036-05.0-L-D-DP-A-K

QRM8-026-02.0-L-D-A

QRM8 SERIES

(0,80 mm) .0315"

SLIM BODY GROUND PLANE HEADER

SPECIFICATIONS

For complete specifications and recommended PCB layouts see www.samtec.com?QRM8

Insulator Material:

Black LCP
Terminal & Ground Plane Material:

Phosphor Bronze
Plating:

Au or Sn over
50µ" (1,27 µm) Ni

Current Rating:

Contact:
2.2 A per pin
(1 pin powered per row)
Ground:
8.5 A per ground plane
(1 ground plane powered)

Operating Temp Range:

-55°C to +125°C

Voltage Rating:

215 VAC

RoHS Compliant:

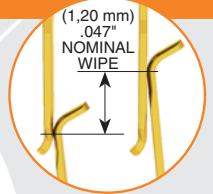
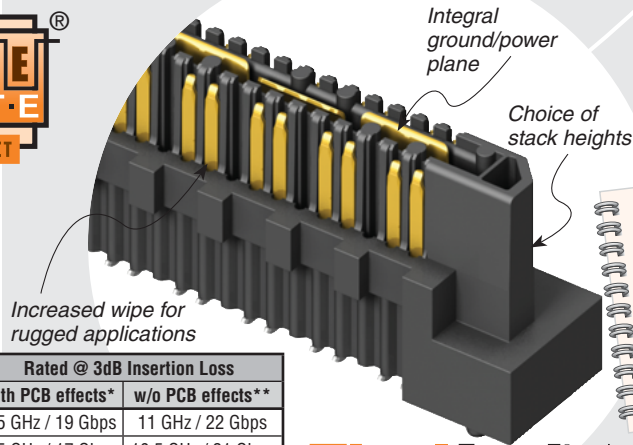
Yes

Processing:

Lead-Free Solderable:
Yes
SMT Lead Coplanarity:
(0,10 mm) .004" max (018-026)
(0,15 mm) .006" max (036-078)

Board Mates:
QRF8

Cable Mates:
EQRD



Protocols Supported
100 GbE
Download app notes at www.samtec.com/appnote
Contact SIG @ samtec.com for questions on protocols

QRM8/QRF8 7 mm Stack Height	Type	Rated @ 3dB Insertion Loss	
		with PCB effects*	w/o PCB effects**
Single-Ended Signaling	-D	9.5 GHz / 19 Gbps	11 GHz / 22 Gbps
Differential Pair Signaling	-D	8.5 GHz / 17 Gbps	10.5 GHz / 21 Gbps
Differential Pair Signaling	-DP	9 GHz / 18 Gbps	17.5 GHz / 35 Gbps

*Performance data includes effects of a non-optimized PCB.
**Test board losses de-embedded from performance data.
Performance data for other stack heights and complete test data available at www.samtec.com?QRM8 or contact sig@samtec.com

Final Inch
CERTIFIED

28+
Gbps

RECOGNITIONS

For complete scope of recognitions see www.samtec.com/quality



ALSO AVAILABLE (MOQ Required)

- Other platings
- Contact Samtec.

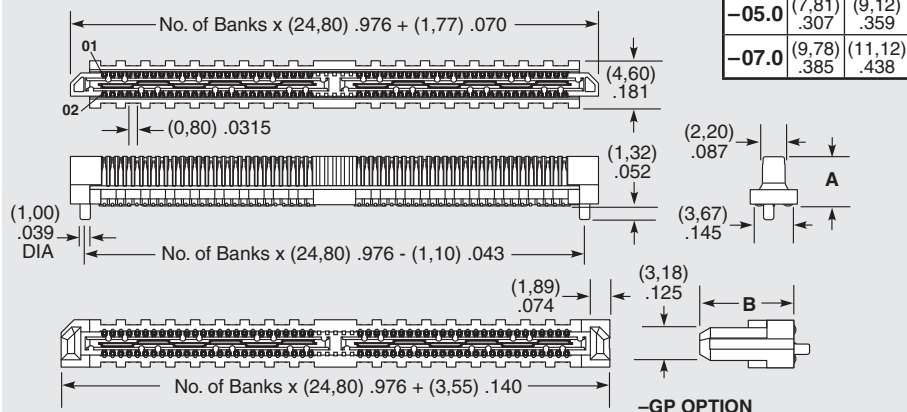
QRM8 LEAD STYLE	MATED HEIGHT*	
	QRF8 LEAD STYLE -05.0	-07.0
-02.0	(7,00) .276	(9,00) .354
-05.0	(10,00) .394	(12,00) .472
-07.0	(12,00) .472	(14,00) .551

*Processing conditions will affect mated height.

Note: Patented

Note: Some lengths, styles and options are non-standard, non-returnable.

QRM8	PINS PER ROW NO. OF PAIRS	LEAD STYLE	PLATING OPTION	TYPE	A	OTHER OPTION
	-026, -052, -078 (52 total pins per bank = -D) -018, -036, -054 (18 pairs per bank = -D-DP)	-02.0 = 2 mm Body Height (Not available with -054 & -078 positions) -05.0 = 5 mm Body Height -07.0 = 7 mm Body Height	-L = 10µ" (0,25 µm) Gold on contact, Matte Tin on tail	-D = Single-Ended -D-DP = Differential Pair		-GP = Guide Post (Requires -GP on mating connector) -K = (5,00 mm) .197" DIA Polyimide Film Pick & Place Pad -TR = Tape & Reel (-018, -026, -036, -052 only)



• Edge Rate® contacts
• Increased contact wipe
• 10 year MFG
• Guide post option