

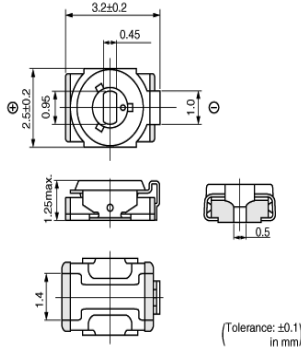
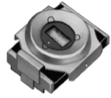
TZY2Z100A001B00

To be discontinued

RoHS

REACH

Appearance & Shape



Features

1. Small and thin size with external dimensions of 2.5(W)x3.2(L)x1.25max.(H)mm.
2. New shape of cover can improve the flux invasion compared with current products.
3. Improvement of the adhesion between rotor and stator leads to superior stability.
4. Unique construction with no plastic material provides superior sold

heat resistance to maintain excellent characteristic performance after reflow soldering.


Packaging Information

Packaging	Specifications	Minimum Order Quantity
B00	Bulk(Bag)	500

Attention

1.This datasheet is downloaded from the website of Murata Manufacturing Co., Ltd. Therefore, it's specifications are subject to change or our products may be discontinued without advance notice. Please check with our sales representatives or product engineers before ordering.
2.This datasheet has only typical specifications because there is no space for detailed specifications.
Therefore, please review our product specifications or consult the approval sheet for product specifications before ordering.

TZY2Z100A001B00



Specifications

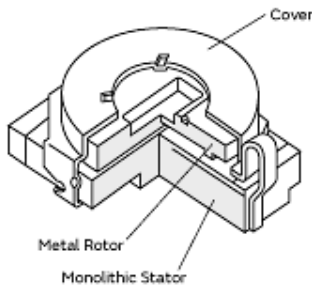
Shape	SMD
Operating Temperature Range	-25°C to 85°C
Thickness	1.25mm
Thickness Tolerance	max.
Rated Voltage	25Vdc
Cmin.(Max.)	3pF
Cmax.	10pF
Adjustment Direction	Top
Soldering Method	Reflow Soldering Iron
TC	NP0±300ppm/°C
Q	500min. at 1MHz, Cmax.
Withstanding Voltage	55Vdc
Insulation Resistance(Min.)	10000MΩ
Torque	0.7 to 4.9mNm
Mass	0.035g

Attention

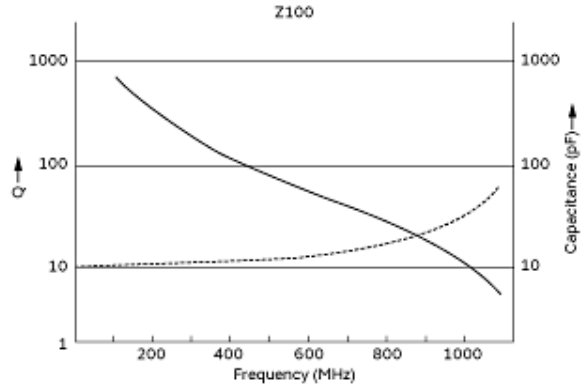
1.This datasheet is downloaded from the website of Murata Manufacturing Co., Ltd. Therefore, it's specifications are subject to change or our products may be discontinued without advance notice. Please check with our sales representatives or product engineers before ordering.
 2.This datasheet has only typical specifications because there is no space for detailed specifications.
 Therefore, please review our product specifications or consult the approval sheet for product specifications before ordering.

TZY2Z100A001B00

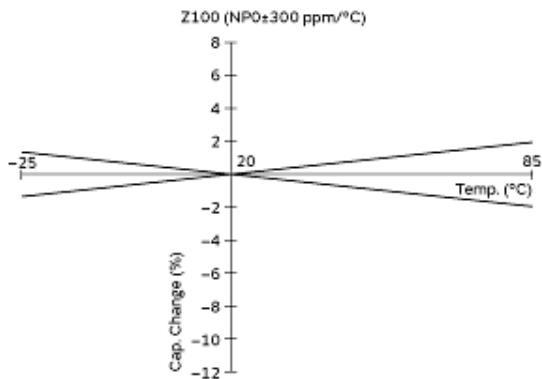
Product Data



Constructions



Frequency Characteristics



Temp. Coeff. Characteristics

Attention

1. This datasheet is downloaded from the website of Murata Manufacturing Co., Ltd. Therefore, its specifications are subject to change or our products may be discontinued without advance notice. Please check with our sales representatives or product engineers before ordering.
 2. This datasheet has only typical specifications because there is no space for detailed specifications.
 Therefore, please review our product specifications or consult the approval sheet for product specifications before ordering.