

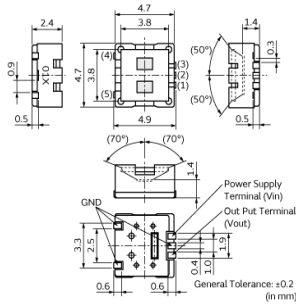
IRS-B210ST01-R1

In Production

RoHS

REACH

Appearance & Shape



Features

SMD type

Applications

Limited Usage	LCD TV, LCD Monitor, Digital Photo Frame
Other Usage	Not available for Automotive usage.

Packaging Information

Packaging	Specifications	Minimum Order Quantity
R1	Reel	2000

Attention

1. This datasheet is downloaded from the website of Murata Manufacturing Co., Ltd. Therefore, its specifications are subject to change or our products may be discontinued without advance notice. Please check with our sales representatives or product engineers before ordering.
2. This datasheet has only typical specifications because there is no space for detailed specifications. Therefore, please review our product specifications or consult the approval sheet for product specifications before ordering.

IRS-B210ST01-R1

Specifications

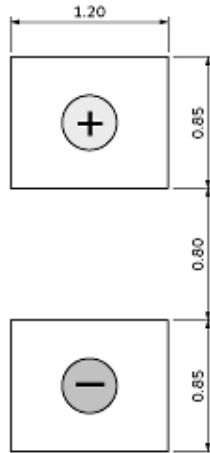
Operating Temperature Range	-40°C to 70°C
Shape	SMD
Field of View	theta1=50deg.,theta2=70deg.
Electrode	(1.2x0.85mm)x2
Responsivity (Typ.)	3.6mV
Wave Length Range	3.0μm to
Optical Filter	3micro meter Long Pass
Supply Voltage Range	2V to 15V
Storage Temperature Range	-40°C to 85°C

Attention

1.This datasheet is downloaded from the website of Murata Manufacturing Co., Ltd. Therefore, it's specifications are subject to change or our products may be discontinued without advance notice. Please check with our sales representatives or product engineers before ordering.
2.This datasheet has only typical specifications because there is no space for detailed specifications.
Therefore, please review our product specifications or consult the approval sheet for product specifications before ordering.

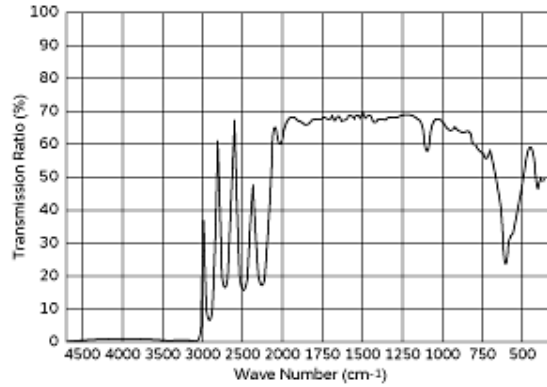
IRS-B210ST01-R1

Product Data

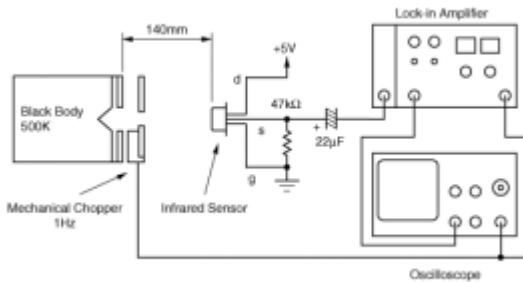


(in mm)

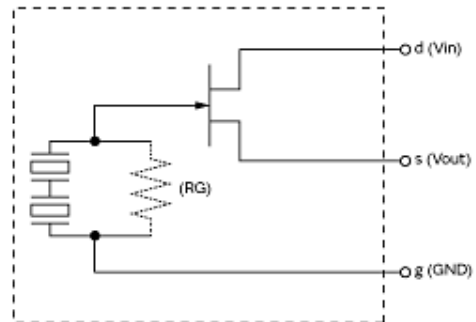
Pyroelectric Element



Filter characteristics



Testcircuit



Circuit diagrams

Attention

1. This datasheet is downloaded from the website of Murata Manufacturing Co., Ltd. Therefore, its specifications are subject to change or our products may be discontinued without advance notice. Please check with our sales representatives or product engineers before ordering.
 2. This datasheet has only typical specifications because there is no space for detailed specifications.
 Therefore, please review our product specifications or consult the approval sheet for product specifications before ordering.