

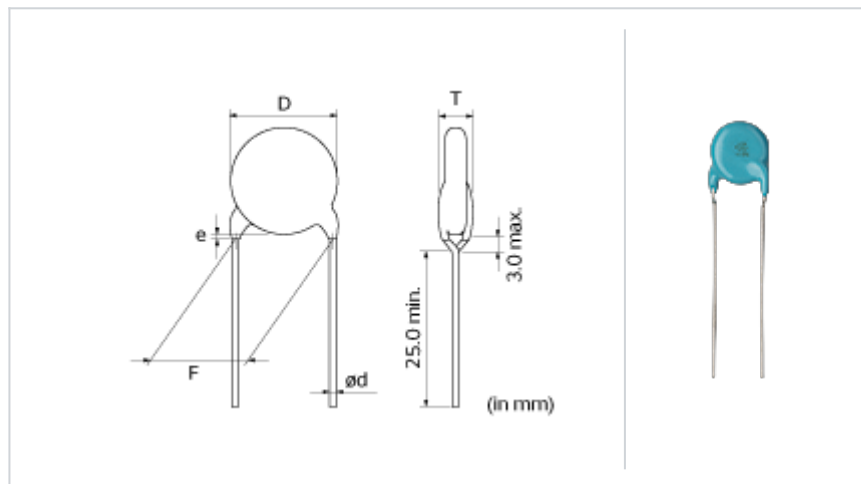
# DE2E3KY222MA2BM01

" # " indicates a package specification code.



< List of part numbers with package codes >  
DE2E3KY222MA2BM01

## Shape



|                                 |                        |
|---------------------------------|------------------------|
| L size or outer diameter D (mm) | 8.0 mm max.            |
| T size                          | 5.0 mm max.            |
| Lead spacing F                  | 5.0 ± 1.0mm            |
| Lead diameter d                 | 0.6 ± 0.05mm           |
| Paint dripping e                | Up to the end of crimp |

## Specifications

|  |                |
|--|----------------|
| Capacitance                                      | 2200pF ± 20%   |
| Rated voltage                                    | 250Vac(r.m.s.) |
| Temperature characteristics (complied standard)  | E(JIS)         |
| Capacitance change rate                          | +20/-55%       |
| Temperature range of temperature characteristics | -25 to 85      |
| Operating temperature range                      | -40 to 125     |

## Notes

X1/Y2 Class Certified Products  
Please use replacement

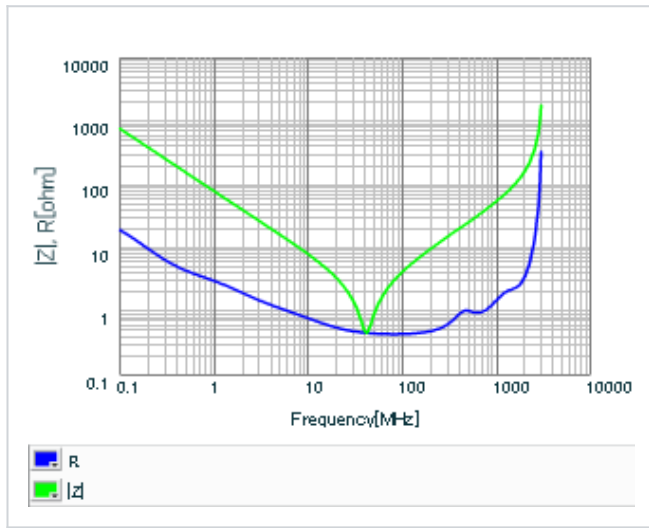
## References

| Packaging | Specifications  | Minimum quantity |
|-----------|-----------------|------------------|
| B         | Packing in bulk | 250              |

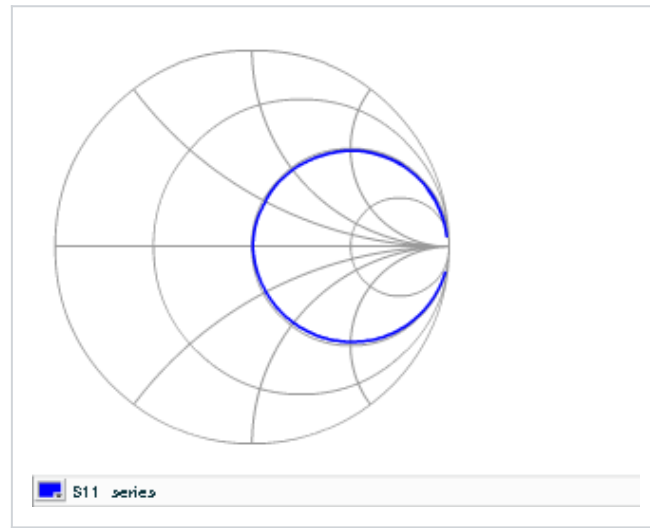
## ⚠ Attention

- 1.This datasheet is downloaded from the website of Murata Manufacturing Co., Ltd. Therefore, it ' s specifications are subject to change or our products in it may be discontinued without advance notice. Please check with our sales representatives or product engineers before ordering.
- 2.This datasheet has only typical specifications because there is no space for detailed specifications. Therefore, please review our product specifications or consult the approval sheet for product specifications before ordering.

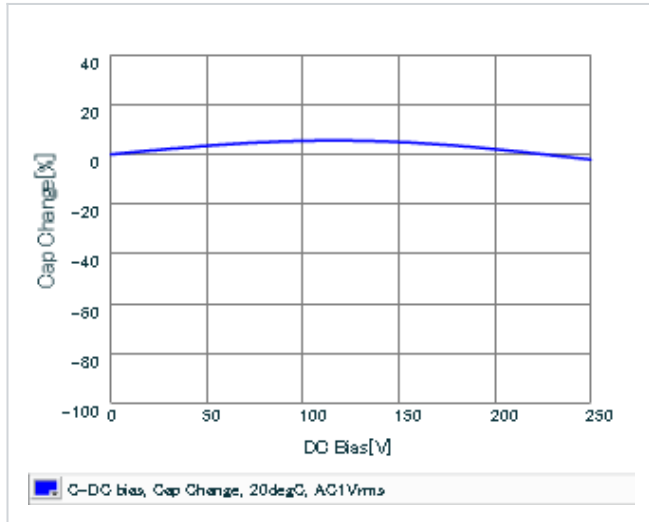
▪ Frequency characteristics (ESR, Impedance)



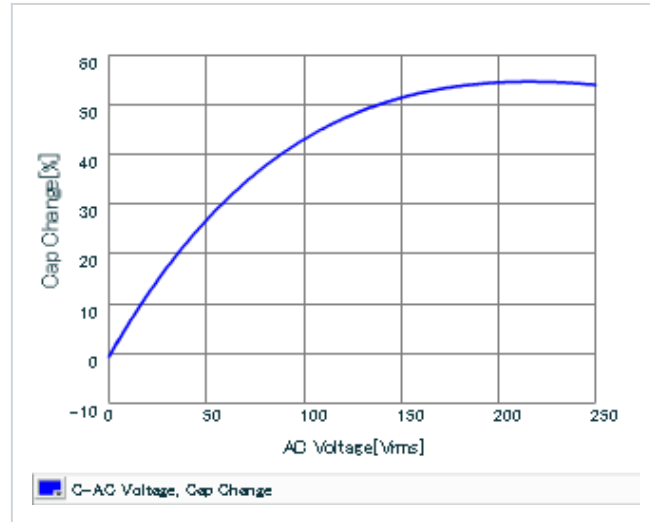
▪ S parameter (Smith chart S11)



▪ DC bias characteristics



▪ AC voltage characteristics



▪ Capacitance - temperature characteristics

