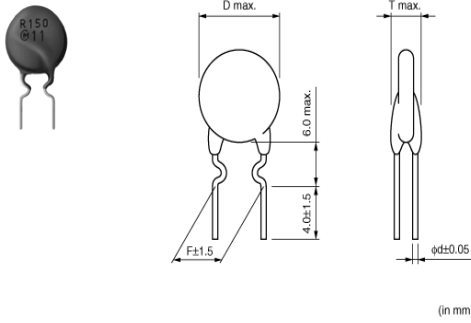


# PTGL05AR181M9N51B0

In Production Recommended RoHS REACH

## Appearance & Shape



## Features

1. Best suited to meet the requirements for power supplies and motor protection. Error-free operations are assured by rush current.
2. Circuit is protected until current is turned off.
3. Restores the original low resistance value automatically once the overload is removed.
4. Non-contact design leads to long life and no noise.  
Durable and strong against mechanical vibration and shock because it is a solid element.

## Packaging Information

Packaging	Specifications	Minimum Order Quantity
B0	Bulk(Bag)	500

### Attention

1.This datasheet is downloaded from the website of Murata Manufacturing Co., Ltd. Therefore, it's specifications are subject to change or our products may be discontinued without advance notice. Please check with our sales representatives or product engineers before ordering.  
2.This datasheet has only typical specifications because there is no space for detailed specifications.  
Therefore, please review our product specifications or consult the approval sheet for product specifications before ordering.

# PTGL05AR181M9N51B0



## Specifications

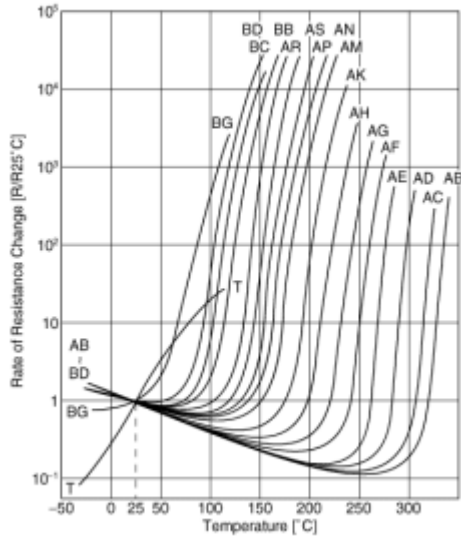
Max. Voltage	265V	d: Lead Diameter	0.5mm
Hold Current	29mA	Shape	Lead
Measure Condition of Hold Current	(at +60°C)		
Hold Current (2)	37mA		
Measure Condition of Hold Current (2)	(at +25°C)		
Trip Current	60mA		
Measure Condition of Trip Current	(at +25°C)		
Trip Current(2)	70mA		
Measure Condition of Trip Current(2)	(at -10°C)		
Max. Current	0.3A		
Resistance (25°C)	180Ω		
Resistance Value Tolerance (at 25°C)	±20%		
Power Consumption(Typ)	0.9W		
Operating Temperature Range	-10°C to 60°C		
D: Outer Dimension	6.5mm		
Thickness	6.5mm		
F: Lead Space	5mm		

### Attention

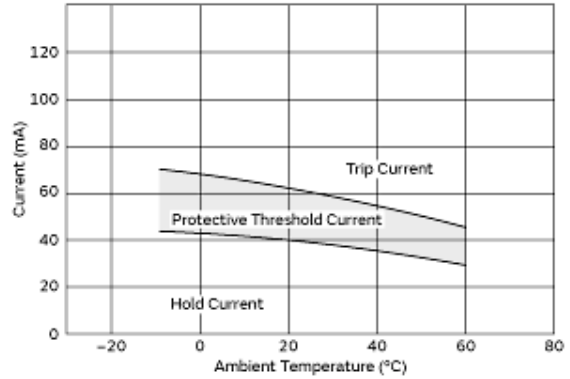
1.This datasheet is downloaded from the website of Murata Manufacturing Co., Ltd. Therefore, it's specifications are subject to change or our products may be discontinued without advance notice. Please check with our sales representatives or product engineers before ordering.  
 2.This datasheet has only typical specifications because there is no space for detailed specifications.  
 Therefore, please review our product specifications or consult the approval sheet for product specifications before ordering.

# PTGL05AR181M9N51B0

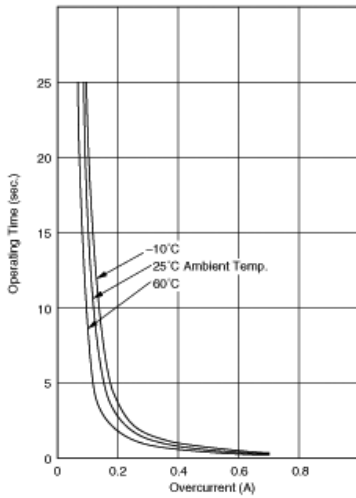
## Product Data



Resistance-Temperature Charac.



Protective Threshold Current Range



Operating Time (Typical Curve)

**Attention**

1. This datasheet is downloaded from the website of Murata Manufacturing Co., Ltd. Therefore, its specifications are subject to change or our products may be discontinued without advance notice. Please check with our sales representatives or product engineers before ordering.  
 2. This datasheet has only typical specifications because there is no space for detailed specifications. Therefore, please review our product specifications or consult the approval sheet for product specifications before ordering.