

## KILOVAC EV200B Series Contactor With 1 Form Y (SPST-NC) Contacts Rated 500+ Amps, 12-900 Vdc

### Product Facts

- Normally closed version of popular EV200 series contactors
- Designed to be the smallest, lowest cost, lightest weight sealed contactor in the industry at its current rating
- Optional auxiliary contacts for monitoring position of power contacts
- Hermetically sealed — operates in explosive/harsh environments with no oxidation or contamination of coil or contacts during long periods of non-operation
- Not position sensitive, can be mounted in any orientation
- RoHS versions available



### Physical Data

**Contact Arrangements** —  
Main Contacts — SPST, Normally Closed

**Dimensions** — See drawing

**Weight, Nominal** — .95 lb. (.43 kg)

### Environmental Data

**Shock, 11ms 1/2 Sine (Operating)** — 30 G<sub>peak</sub> (Closed)  
10 G<sub>peak</sub> (Open)

**Sine Vibration, 10 G<sub>peak</sub>** —  
55-2000 Hz

**Random Vibration, 7.1 Grms** —  
15 Hz (.001 G<sup>2</sup>/Hz), 100 Hz (.04 G<sup>2</sup>/Hz),  
1000 Hz (.04 G<sup>2</sup>/Hz), 1500 Hz (.02 G<sup>2</sup>/Hz)

**Operating Temperature Range** —  
-40°C to +85°C

### Electrical Data

**Voltage Rating** —  
Main Contacts (Max) — 750 Vdc

**Current Rating, Continuous** —  
Main Contacts 1 — 500A

**Contact Resistance** —  
Main Contacts 2 —  
0.2 mΩ max above 300A  
0.3 mΩ max between 50 and 300A

**Hot Switching Performance (Positive Polarity)** <sup>3</sup> —  
200A make/ break @ 270Vdc —  
10,000 cycles  
600A make/ break @ 360Vdc —  
100 cycles  
800A break only @ 360Vdc —  
15 cycles  
1500A break only @ 360Vdc — 1 cycle

**Mechanical Life (Min)** —  
1 million cycles

**Dielectric Withstand Voltage** —  
Terminal to Terminal/ Terminals to Coil —  
1mA max @ 2,200 Vrms

**Insulation Resistance** —  
Terminal to Terminal/ Terminals to Coil —  
100MΩ min @ 500Vdc new  
50MΩ min @ 500Vdc end of life

### Coil Data 4

**Nominal Coil Voltage** <sup>5</sup> —  
Low range — 9.6-14 Vdc  
High range — 19-28 Vdc

**Pick Up (Max) @ 25°C** —  
9.6/18.5 Vdc

**Pick Up @ Max Coil Temperature** —  
10.5/22 Vdc

**Hold (Min)** — 6/12 Vdc

### Ordering Information

Typical Part Number ►

**Series:** EV200 B A A N A  
EV200 = 500+ Amp, 12-900VDC Contactor

**Contact Form:** B  
B = Normally Closed  
D = Normally Closed, 1 SPDT Aux.

**Coil Voltage (with Economizer):** A  
A = 12/24 Vdc

**Coil Terminals:** A  
A = 15.3 in. (300 mm)

**Coil Terminal Connector:** N  
N = None

**Mounting & Power Terminations:** A  
A = Bottom Mount & Male 10 Max. M8  
Threaded Terminals

**Dropout (Min)** — 4/9 Vdc

**Pickup Current, Peak** <sup>6</sup> @ 25°C —  
6 A

**Operate Specs @ 25°C** —  
Operate Time (Typ) — 15 ms  
Operate Bounce (Max) — 5 ms  
Release Time (Typ) — 15 ms

**Economizer Operating Frequency** —  
18 kHz

**Hold Current** —  
0.9A/12 Vdc  
0.3A/24 Vdc

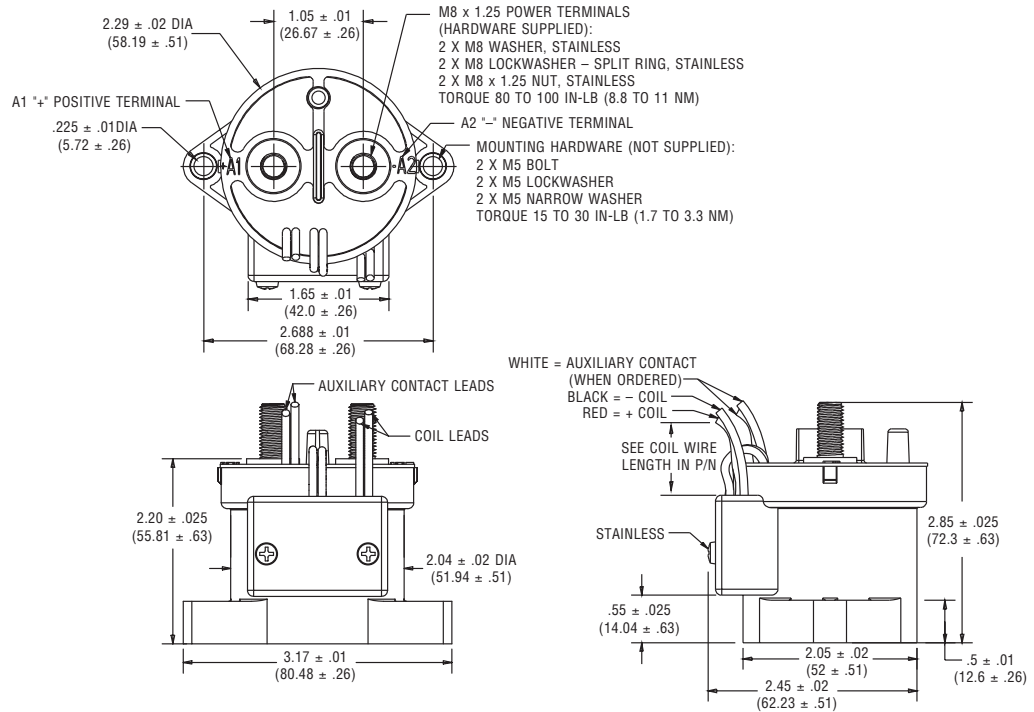
### Notes:

- 1 Ambient conditions and conductor design affect rating. Terminal temperature rise should be 75°C max above ambient. Keep relay terminals below 150°C max continuous, 175°C max for two hours, and 200°C for 1 minute.
- 2 Stabilized reading. Contact resistance may exceed spec in the first 10 minutes of current carry.
- 3 Units are polarity sensitive. Approximately 50% de-rating for reverse polarity switching. Consult factory for review of specific requirements.
- 4 Over temperature range unless noted.
- 5 Voltage ranged sensed by contactor 10 ms after application of source voltage.
- 6 Pickup duration 100 ms.

For factory-direct application assistance, dial 800-253-4560, ext. 2055, or 805-220-2055.

**KILOVAC EV200B Series Contactor** (Continued)

**Outline Dimensions**



For factory-direct application assistance,  
 dial 800-253-4560, ext. 2055, or  
 805-220-2055.