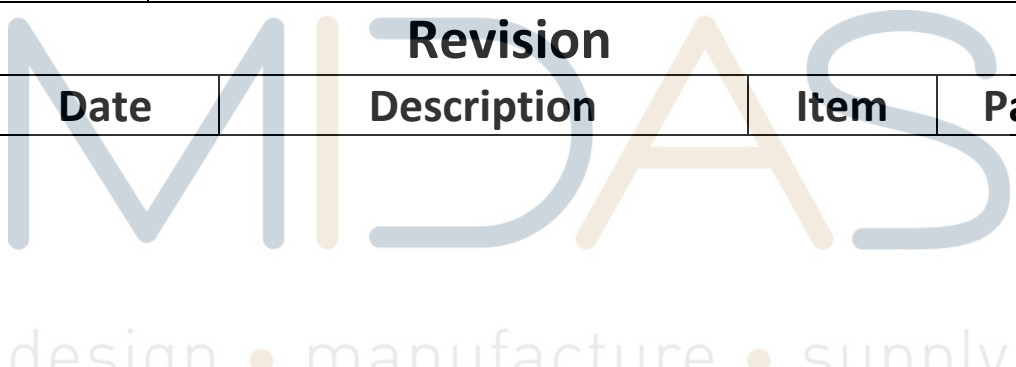


Specification				
Part Number:	MC21605C6W-SPTLYS			
Version:	1			
Date:	17/05/13			
Revision				
No.	Date	Description	Item	Page
				

Contents

1. Module Classification Information
2. Precautions in use of LCD Modules
3. General Specification
4. Absolute Maximum Ratings
5. Electrical Characteristics
6. Optical Characteristics
7. Interface Pin Function
8. Power Supply
9. Contour Drawing & Block Diagram
10. Function Description
11. Character Generator ROM Pattern
12. Instruction Table
13. Interface with MPU
14. Initializing of LCM
15. Quality Assurance
16. Reliability

MIDAS
design • manufacture • supply

Midas LCD Part Number System

MC COG 132033 A * 6 W * * - S N T L W * *
1 2 3 4 5 6 7 8 9 - 10 11 12 13 14 15 16

- 1 = **MC:** Midas Components
- 2 = **Blank:** COB (chip on board) **COG:** chip on glass
- 3 = **No of dots** (e.g. 240064 = 240 x 64 dots) (e.g. 21605 = 2 x 16 5mm C.H.)
- 4 = **Series**
- 5 = **Series Variant:** A to Z – see addendum
- 6 = **3:** 3 o'clock **6:** 6 o'clock **9:** 9 o'clock **12:** 12 o'clock
- 7 = **S:** Normal (0 to + 50 deg C) **W:** Wide temp. (-20 to + 70 deg C) **X:** Extended temp (-30 + 80 Deg C)
- 8 = **Character Set**

Blank: Standard (English/Japanese)
C: Chinese Simplified (Graphic Displays only)
CB: Chinese Big 5 (Graphic Displays only)
H: Hebrew
K: European (std) (English/German/French/Greek)
L: English/Japanese (special)
M: European (English/Scandinavian)
R: Cyrillic
W: European (English/Greek)
U: European (English/Scandinavian/Icelandic)

9 = **Bezel Height** (where applicable /available)

	Top of Bezel to Top of PCB	LED Connection Common (via pins 1 and 2) via pins 15+ 16-	Array or Edge Lit
Blank	9.5mm / not applicable	Common	Array
2	8.9 mm	Common	Array
3	7.8 mm	Separate	Array
4	7.8 mm	Common	Array
5	9.5 mm	Separate	Array
6	7 mm	Common	Array
7	7 mm	Separate	Array
8	6.4 mm	Common	Edge
9	6.4 mm	Separate	Edge
A	5.5 mm	Common	Edge
B	5.5 mm	Separate	Edge
D	6.0mm	Separate	Edge
E	5.0mm	Separate	Edge
F	4.7mm	Common	Edge
G	3.7mm	Separate	EL
H	7 mm	Separate	Edge

- 10 = **T:** TN **S:** STN **B:** STN Blue **G:** STN Grey **F:** FSTN **F2:** FFSTN **V:** VA (Vertically Aligned)
- 11 = **P:** Positive **N:** Negative
- 12 = **R:** Reflective **M:** Transmissive **T:** Transflective
- 13 = **Backlight:** **Blank:** Reflective **L:** LED
- 14 = **Backlight Colour:** **Y:** Yellow-Green **W:** White **B:** Blue **R:** Red **A:** Amber **O:** Orange **G:** Green **RGB:** R.G.B.
- 15 = **Driver Chip:** **Blank:** Standard **I:** I²C **S:** SPI **T:** Toshiba T6963C **A:** Avant SAP1024B **R:** Raio RA6963
- 16 = **Voltage Variant:** e.g. **3** = 3v

2. Precautions in use of LCD Modules

- (1) Avoid applying excessive shocks to the module or making any alterations or modifications to it.
- (2) Don't make extra holes on the printed circuit board, modify its shape or change the components of LCD module.
- (3) Don't disassemble the LCM.
- (4) Don't operate it above the absolute maximum rating.
- (5) Don't drop, bend or twist LCM.
- (6) Soldering: only to the I/O terminals.
- (7) Storage: please storage in anti-static electricity container and clean environment.

3. General Specification

Item	Dimension	Unit
Number of Characters	16 characters x 2 Lines	—
Module dimension (With LED Backlight)	80.0 x 36.0 x 14.0 (MAX)	mm
View area	64.5 x 15.5	mm
Active area	56.20 x 11.50	mm
Dot size	0.55x 0.65	mm
Dot pitch	0.60 x 0.70	mm
Character size	2.95 x 5.55	mm
Character pitch	3.55 x 5.95	mm
LCD type	STN, Yellow-green, Transflective	
Duty	1/16	
View direction	6 o'clock	
Backlight Type	Yellow-green LED backlight	

4. Absolute Maximum Ratings

Item		Symbol	Min	Max	Unit
Input Voltage		V_I	-0.3	VDD+0.3	V
Supply Voltage For Logic		VDD-V _{SS}	-0.3	5.5	V
Supply Voltage For LCD		V _{DD} -V ₀	Vdd-7.0	Vdd+0.3	V
Wide Temperature LCM	Operating Temp.	Top	-20	70	°C
	Storage Temp.	Tstr	-30	80	°C

5. Electrical Characteristics

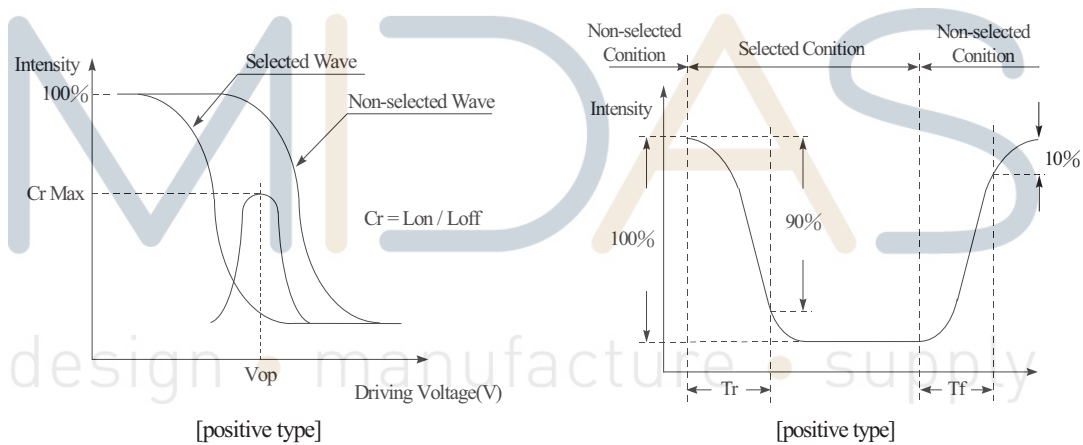
Item	Symbol	Condition	Min	Typ	Max	Unit
Supply Voltage For Logic	V _{DD} -V _{SS}	—	4.5	5.0	5.5	V
Supply Voltage For LCD	V _{DD} -V ₀	Ta=25°C	4.5	5.0	5.5	V
Input High Volt.	V _{IH}	—	0.7 V _{DD}	—	V _{DD}	V
Input Low Volt.	V _{IL}	—	V _{SS}	—	0.3 V _{DD}	V
Supply Current	I _{DD}	V _{DD} =5V	0.8	1.2	1.5	mA
Supply Voltage of Yellow-green backlight	V _{LED}	Forward current =120 mA Number of LED die 2x12= 24	3.8	4.1	4.3	V

6. Optical Characteristics

Item	Symbol	Condition	Min	Typ	Max	Unit
View Angle	(V) θ	$CR \geq 2$	-20	—	35	deg
	(H) ϕ	$CR \geq 2$	-30	—	30	deg
Contrast Ratio	CR	—	—	3	—	—
Response Time	T rise	—	—	—	250	ms
	T fall	—	—	—	250	ms

Definition of Operation Voltage (Vop)

Definition of Response Time (Tr, Tf)



Conditions:

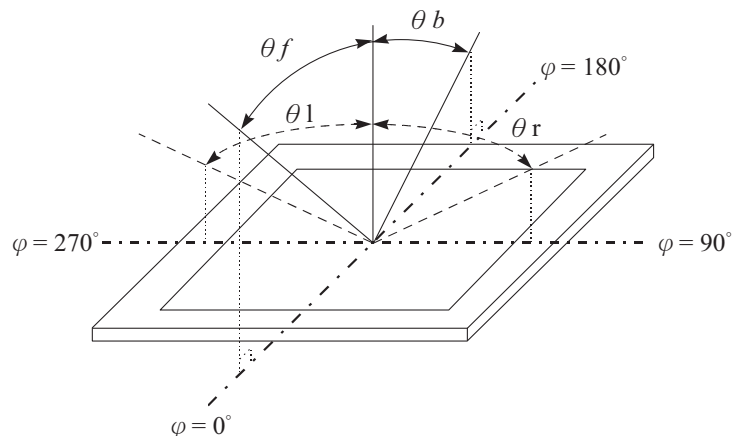
Operating Voltage: Vop

Viewing Angle (θ , ϕ): 0° , 0°

Frame Frequency: 64 HZ

Driving Waveform: 1/N duty, 1/a bias

Definition of viewing angle ($CR \geq 2$)



7. Interface Pin Function

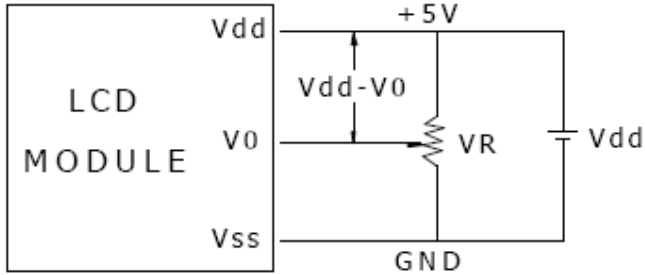
Pin No.	Symbol	Level	Description
1	LED(+)		Anode of LED Backlight
2	LED(-)		Cathode of LED Backlight
3	V _{SS}	0V	Ground
4	V _{DD}	5.0V	Supply Voltage for logic
5	SCLK	H/L	Serial Clock
6	SID	H/L	Serial Data
7	V ₀	(Variable)	Operating voltage for LCD
8	/CSB	H/L	Chip Select
9	RS	H/L	Register Select
10	NC		No Connection

MIDAS

design • manufacture • supply

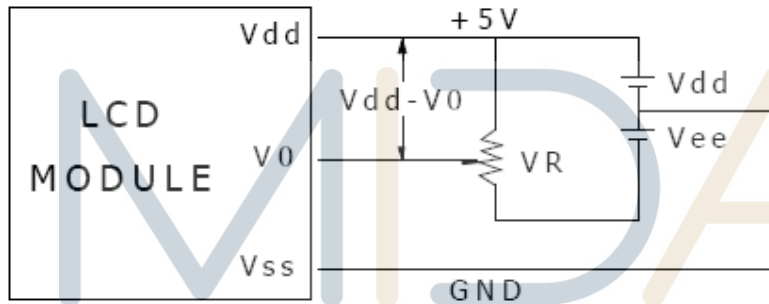
8. Power Supply

SINGLE SUPPLY VOLTAGE TYPE



Vdd-V0: LCD Driving Voltage
VR: 10K - 20K

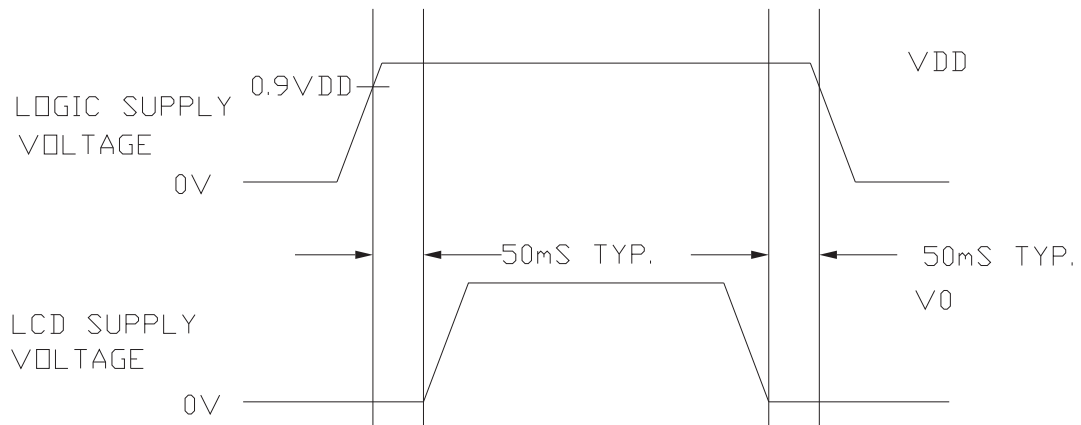
DUAL SUPPLY VOLTAGE TYPE



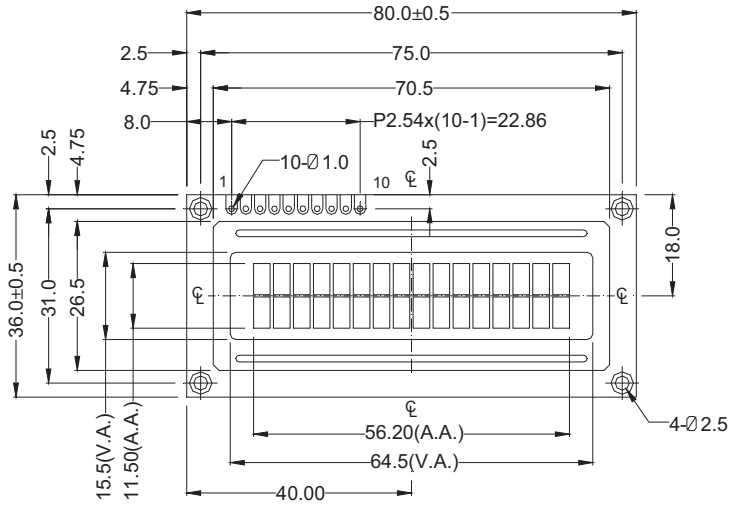
Vdd-V0: LCD Driving Voltage
VR: 10K - 20K

Timing Diagram of VDD Against V0.

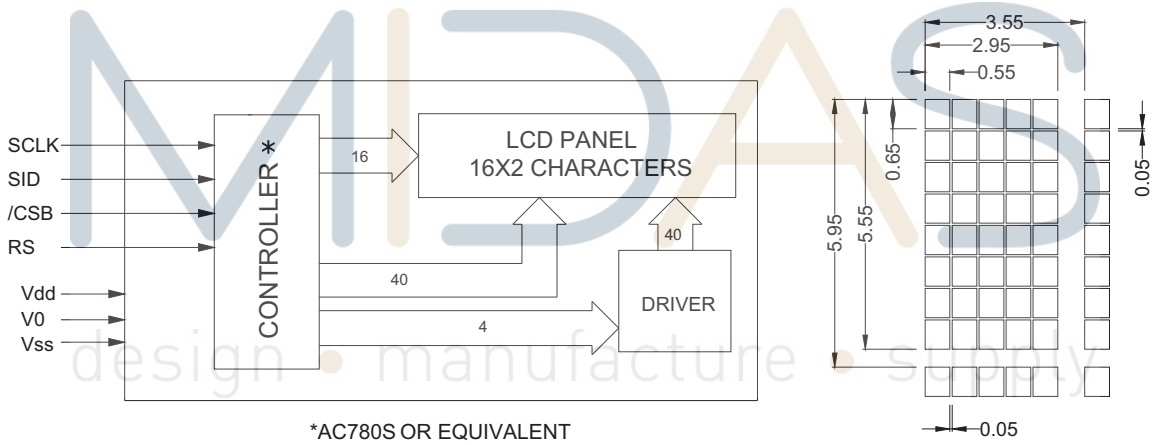
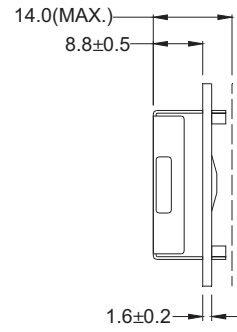
Power on sequence shall meet the requirement of Figure 4, the timing diagram of VDD against V0.



9. Contour Drawing & Block Diagram



BOTTOM LIT LED B/L



10. Function Description

The LCD display Module is built in a LSI controller, the controller has two 8-bit registers, an instruction register (IR) and a data register (DR).

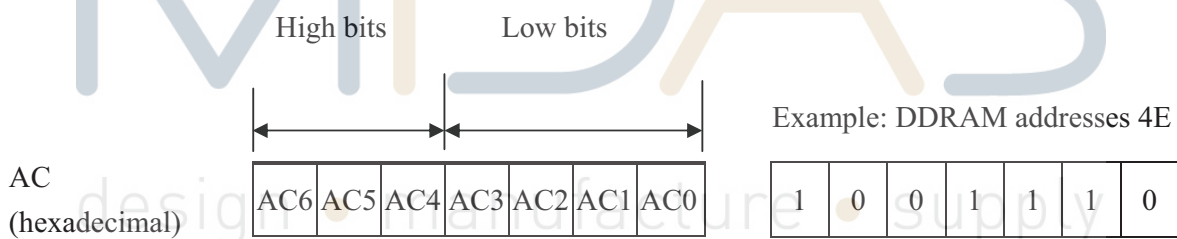
The IR stores instruction codes, such as display clear and cursor shift, and address information for display data RAM (DDRAM) and character generator (CGRAM). The IR can only be written from the MPU. The DR temporarily stores data to be written or read from DDRAM or CGRAM. When address information is written into the IR, then data is stored into the DR from DDRAM or CGRAM.

Address Counter (AC)

The address counter (AC) assigns addresses to both DDRAM and CGRAM

Display Data RAM (DDRAM)

This DDRAM is used to store the display data represented in 8-bit character codes. Its extended capacity is 80×8 bits or 80 characters. Below figure is the relationships between DDRAM addresses and positions on the liquid crystal display.



Display position DDRAM address

1	2	3	4	5	6	7	8	9	10	11	12	13	14	15	16
00	01	02	03	04	05	06	07	08	09	0A	0B	0C	0D	0E	0F
40	41	42	43	44	45	46	47	48	49	4A	4B	4C	4D	4E	4F

2-Line by 16-Character Display

Character Generator ROM (CGROM)

The CGROM generate 5×8 dot or 5×10 dot character patterns from 8-bit character codes. See Table 2.

Character Generator RAM (CGRAM)

In CGRAM, the user can rewrite character by program. For 5×8 dots, eight character patterns

can be written, and for 5×10 dots, four character patterns can be written.

Write into DDRAM the character code at the addresses shown as the left column of table 1. To show the character patterns stored in CGRAM.

Relationship between CGRAM Addresses, Character Codes (DDRAM) and Character patterns

Table 1

For 5 * 8 dot character patterns

Character Codes (DDRAM data)	CGRAM Address					Character Patterns (CGRAM data)																																																																																																						
7 6 5 4 3 2 1 0 High Low	5 4 3 2 1 0 High Low	5 4 3 2 1 0 High Low	5 4 3 2 1 0 High Low	5 4 3 2 1 0 High Low	5 4 3 2 1 0 High Low																																																																																																							
0 0 0 0 * 0 0 0	0 0 0	0 0 0	0 0 0	0 0 0	0 0 0	<table border="1" style="display: inline-table; vertical-align: middle;"> <tr><td>*</td><td>*</td><td>*</td><td></td><td></td><td>0</td></tr> <tr><td>*</td><td>*</td><td>*</td><td>0</td><td>0</td><td>0</td></tr> <tr><td>*</td><td>*</td><td>*</td><td>0</td><td>0</td><td>0</td></tr> <tr><td>*</td><td>*</td><td>*</td><td>0</td><td></td><td>0</td></tr> <tr><td>*</td><td>*</td><td>*</td><td>0</td><td>0</td><td>0</td></tr> <tr><td>*</td><td>*</td><td>*</td><td>0</td><td>0</td><td>0</td></tr> <tr><td>*</td><td>*</td><td>*</td><td>0</td><td>0</td><td>0</td></tr> <tr><td>*</td><td>*</td><td>*</td><td>0</td><td>0</td><td>0</td></tr> <tr><td>*</td><td>*</td><td>*</td><td>0</td><td>0</td><td>0</td></tr> <tr><td>*</td><td>*</td><td>*</td><td>0</td><td>0</td><td>0</td></tr> <tr><td>*</td><td>*</td><td>*</td><td>0</td><td>0</td><td>0</td></tr> <tr><td>*</td><td>*</td><td>*</td><td>0</td><td>0</td><td>0</td></tr> <tr><td>*</td><td>*</td><td>*</td><td>0</td><td>0</td><td>0</td></tr> <tr><td>*</td><td>*</td><td>*</td><td>0</td><td>0</td><td>0</td></tr> <tr><td>*</td><td>*</td><td>*</td><td>0</td><td>0</td><td>0</td></tr> <tr><td>*</td><td>*</td><td>*</td><td>0</td><td>0</td><td>0</td></tr> </table>	*	*	*			0	*	*	*	0	0	0	*	*	*	0	0	0	*	*	*	0		0	*	*	*	0	0	0	*	*	*	0	0	0	*	*	*	0	0	0	*	*	*	0	0	0	*	*	*	0	0	0	*	*	*	0	0	0	*	*	*	0	0	0	*	*	*	0	0	0	*	*	*	0	0	0	*	*	*	0	0	0	*	*	*	0	0	0	*	*	*	0	0	0						
*	*	*			0																																																																																																							
*	*	*	0	0	0																																																																																																							
*	*	*	0	0	0																																																																																																							
*	*	*	0		0																																																																																																							
*	*	*	0	0	0																																																																																																							
*	*	*	0	0	0																																																																																																							
*	*	*	0	0	0																																																																																																							
*	*	*	0	0	0																																																																																																							
*	*	*	0	0	0																																																																																																							
*	*	*	0	0	0																																																																																																							
*	*	*	0	0	0																																																																																																							
*	*	*	0	0	0																																																																																																							
*	*	*	0	0	0																																																																																																							
*	*	*	0	0	0																																																																																																							
*	*	*	0	0	0																																																																																																							
*	*	*	0	0	0																																																																																																							
0 0 0 0 * 0 0 1	0 0 1	0 0 1	1 0 0	1 0 1	1 1 0	<table border="1" style="display: inline-table; vertical-align: middle;"> <tr><td>*</td><td>*</td><td>*</td><td>0</td><td>0</td><td>0</td></tr> <tr><td>*</td><td>*</td><td>*</td><td>0</td><td>0</td><td>0</td></tr> <tr><td>*</td><td>*</td><td>*</td><td>0</td><td>0</td><td>0</td></tr> <tr><td>*</td><td>*</td><td>*</td><td>0</td><td>0</td><td>0</td></tr> <tr><td>*</td><td>*</td><td>*</td><td>0</td><td>0</td><td>0</td></tr> <tr><td>*</td><td>*</td><td>*</td><td>0</td><td>0</td><td>0</td></tr> <tr><td>*</td><td>*</td><td>*</td><td>0</td><td>0</td><td>0</td></tr> <tr><td>*</td><td>*</td><td>*</td><td>0</td><td>0</td><td>0</td></tr> <tr><td>*</td><td>*</td><td>*</td><td>0</td><td>0</td><td>0</td></tr> <tr><td>*</td><td>*</td><td>*</td><td>0</td><td>0</td><td>0</td></tr> <tr><td>*</td><td>*</td><td>*</td><td>0</td><td>0</td><td>0</td></tr> <tr><td>*</td><td>*</td><td>*</td><td>0</td><td>0</td><td>0</td></tr> <tr><td>*</td><td>*</td><td>*</td><td>0</td><td>0</td><td>0</td></tr> <tr><td>*</td><td>*</td><td>*</td><td>0</td><td>0</td><td>0</td></tr> <tr><td>*</td><td>*</td><td>*</td><td>0</td><td>0</td><td>0</td></tr> <tr><td>*</td><td>*</td><td>*</td><td>0</td><td>0</td><td>0</td></tr> <tr><td>*</td><td>*</td><td>*</td><td>0</td><td>0</td><td>0</td></tr> </table>	*	*	*	0	0	0	*	*	*	0	0	0	*	*	*	0	0	0	*	*	*	0	0	0	*	*	*	0	0	0	*	*	*	0	0	0	*	*	*	0	0	0	*	*	*	0	0	0	*	*	*	0	0	0	*	*	*	0	0	0	*	*	*	0	0	0	*	*	*	0	0	0	*	*	*	0	0	0	*	*	*	0	0	0	*	*	*	0	0	0	*	*	*	0	0	0	*	*	*	0	0	0
*	*	*	0	0	0																																																																																																							
*	*	*	0	0	0																																																																																																							
*	*	*	0	0	0																																																																																																							
*	*	*	0	0	0																																																																																																							
*	*	*	0	0	0																																																																																																							
*	*	*	0	0	0																																																																																																							
*	*	*	0	0	0																																																																																																							
*	*	*	0	0	0																																																																																																							
*	*	*	0	0	0																																																																																																							
*	*	*	0	0	0																																																																																																							
*	*	*	0	0	0																																																																																																							
*	*	*	0	0	0																																																																																																							
*	*	*	0	0	0																																																																																																							
*	*	*	0	0	0																																																																																																							
*	*	*	0	0	0																																																																																																							
*	*	*	0	0	0																																																																																																							
*	*	*	0	0	0																																																																																																							
0 0 0 0 * 1 1 1	1 1 1	1 1 1	1 0 0	1 0 1	1 1 0	<table border="1" style="display: inline-table; vertical-align: middle;"> <tr><td>*</td><td>*</td><td>*</td><td></td><td></td><td></td></tr> <tr><td>*</td><td>*</td><td>*</td><td></td><td></td><td></td></tr> <tr><td>*</td><td>*</td><td>*</td><td></td><td></td><td></td></tr> <tr><td>*</td><td>*</td><td>*</td><td></td><td></td><td></td></tr> <tr><td>*</td><td>*</td><td>*</td><td></td><td></td><td></td></tr> <tr><td>*</td><td>*</td><td>*</td><td></td><td></td><td></td></tr> <tr><td>*</td><td>*</td><td>*</td><td></td><td></td><td></td></tr> <tr><td>*</td><td>*</td><td>*</td><td></td><td></td><td></td></tr> <tr><td>*</td><td>*</td><td>*</td><td></td><td></td><td></td></tr> <tr><td>*</td><td>*</td><td>*</td><td></td><td></td><td></td></tr> <tr><td>*</td><td>*</td><td>*</td><td></td><td></td><td></td></tr> <tr><td>*</td><td>*</td><td>*</td><td></td><td></td><td></td></tr> <tr><td>*</td><td>*</td><td>*</td><td></td><td></td><td></td></tr> <tr><td>*</td><td>*</td><td>*</td><td></td><td></td><td></td></tr> <tr><td>*</td><td>*</td><td>*</td><td></td><td></td><td></td></tr> <tr><td>*</td><td>*</td><td>*</td><td></td><td></td><td></td></tr> <tr><td>*</td><td>*</td><td>*</td><td></td><td></td><td></td></tr> </table>	*	*	*				*	*	*				*	*	*				*	*	*				*	*	*				*	*	*				*	*	*				*	*	*				*	*	*				*	*	*				*	*	*				*	*	*				*	*	*				*	*	*				*	*	*				*	*	*				*	*	*			
*	*	*																																																																																																										
*	*	*																																																																																																										
*	*	*																																																																																																										
*	*	*																																																																																																										
*	*	*																																																																																																										
*	*	*																																																																																																										
*	*	*																																																																																																										
*	*	*																																																																																																										
*	*	*																																																																																																										
*	*	*																																																																																																										
*	*	*																																																																																																										
*	*	*																																																																																																										
*	*	*																																																																																																										
*	*	*																																																																																																										
*	*	*																																																																																																										
*	*	*																																																																																																										
*	*	*																																																																																																										

For 5 * 10 dot character patterns

Character Codes (DDRAM data)	CGRAM Address					Character Patterns (CGRAM data)																																																																																																																																								
7 6 5 4 3 2 1 0 High Low	5 4 3 2 1 0 High Low	5 4 3 2 1 0 High Low	5 4 3 2 1 0 High Low	5 4 3 2 1 0 High Low	5 4 3 2 1 0 High Low																																																																																																																																									
0 0 0 0 * 0 0 0	0 0	0 0	0 0 0 0	0 0 0 1	0 1 0 0	<table border="1" style="display: inline-table; vertical-align: middle;"> <tr><td>*</td><td>*</td><td>*</td><td>0</td><td>0</td><td>0</td><td>0</td><td>0</td></tr> <tr><td>*</td><td>*</td><td>*</td><td>0</td><td>0</td><td>0</td><td>0</td><td>0</td></tr> <tr><td>*</td><td>*</td><td>*</td><td>0</td><td>0</td><td>1</td><td>0</td><td>0</td></tr> <tr><td>*</td><td>*</td><td>*</td><td>0</td><td>0</td><td>1</td><td>1</td><td>0</td></tr> <tr><td>*</td><td>*</td><td>*</td><td>0</td><td>1</td><td>0</td><td>0</td><td>0</td></tr> <tr><td>*</td><td>*</td><td>*</td><td>0</td><td>1</td><td>0</td><td>1</td><td>0</td></tr> <tr><td>*</td><td>*</td><td>*</td><td>0</td><td>1</td><td>1</td><td>0</td><td>0</td></tr> <tr><td>*</td><td>*</td><td>*</td><td>0</td><td>1</td><td>1</td><td>1</td><td>0</td></tr> <tr><td>*</td><td>*</td><td>*</td><td>1</td><td>0</td><td>0</td><td>0</td><td>0</td></tr> <tr><td>*</td><td>*</td><td>*</td><td>1</td><td>0</td><td>0</td><td>1</td><td>0</td></tr> <tr><td>*</td><td>*</td><td>*</td><td>1</td><td>0</td><td>1</td><td>0</td><td>0</td></tr> </table>	*	*	*	0	0	0	0	0	*	*	*	0	0	0	0	0	*	*	*	0	0	1	0	0	*	*	*	0	0	1	1	0	*	*	*	0	1	0	0	0	*	*	*	0	1	0	1	0	*	*	*	0	1	1	0	0	*	*	*	0	1	1	1	0	*	*	*	1	0	0	0	0	*	*	*	1	0	0	1	0	*	*	*	1	0	1	0	0																																																
*	*	*	0	0	0	0	0																																																																																																																																							
*	*	*	0	0	0	0	0																																																																																																																																							
*	*	*	0	0	1	0	0																																																																																																																																							
*	*	*	0	0	1	1	0																																																																																																																																							
*	*	*	0	1	0	0	0																																																																																																																																							
*	*	*	0	1	0	1	0																																																																																																																																							
*	*	*	0	1	1	0	0																																																																																																																																							
*	*	*	0	1	1	1	0																																																																																																																																							
*	*	*	1	0	0	0	0																																																																																																																																							
*	*	*	1	0	0	1	0																																																																																																																																							
*	*	*	1	0	1	0	0																																																																																																																																							
						<table border="1" style="display: inline-table; vertical-align: middle;"> <tr><td>*</td><td>*</td><td>*</td><td></td><td></td><td></td><td></td><td></td></tr> <tr><td>*</td><td>*</td><td>*</td><td></td><td></td><td></td><td></td><td></td></tr> <tr><td>*</td><td>*</td><td>*</td><td></td><td></td><td></td><td></td><td></td></tr> <tr><td>*</td><td>*</td><td>*</td><td></td><td></td><td></td><td></td><td></td></tr> <tr><td>*</td><td>*</td><td>*</td><td></td><td></td><td></td><td></td><td></td></tr> <tr><td>*</td><td>*</td><td>*</td><td></td><td></td><td></td><td></td><td></td></tr> <tr><td>*</td><td>*</td><td>*</td><td></td><td></td><td></td><td></td><td></td></tr> <tr><td>*</td><td>*</td><td>*</td><td></td><td></td><td></td><td></td><td></td></tr> <tr><td>*</td><td>*</td><td>*</td><td></td><td></td><td></td><td></td><td></td></tr> <tr><td>*</td><td>*</td><td>*</td><td></td><td></td><td></td><td></td><td></td></tr> <tr><td>*</td><td>*</td><td>*</td><td></td><td></td><td></td><td></td><td></td></tr> <tr><td>*</td><td>*</td><td>*</td><td></td><td></td><td></td><td></td><td></td></tr> <tr><td>*</td><td>*</td><td>*</td><td></td><td></td><td></td><td></td><td></td></tr> <tr><td>*</td><td>*</td><td>*</td><td></td><td></td><td></td><td></td><td></td></tr> <tr><td>*</td><td>*</td><td>*</td><td></td><td></td><td></td><td></td><td></td></tr> <tr><td>*</td><td>*</td><td>*</td><td></td><td></td><td></td><td></td><td></td></tr> <tr><td>*</td><td>*</td><td>*</td><td></td><td></td><td></td><td></td><td></td></tr> </table>	*	*	*						*	*	*						*	*	*						*	*	*						*	*	*						*	*	*						*	*	*						*	*	*						*	*	*						*	*	*						*	*	*						*	*	*						*	*	*						*	*	*						*	*	*						*	*	*						*	*	*					
*	*	*																																																																																																																																												
*	*	*																																																																																																																																												
*	*	*																																																																																																																																												
*	*	*																																																																																																																																												
*	*	*																																																																																																																																												
*	*	*																																																																																																																																												
*	*	*																																																																																																																																												
*	*	*																																																																																																																																												
*	*	*																																																																																																																																												
*	*	*																																																																																																																																												
*	*	*																																																																																																																																												
*	*	*																																																																																																																																												
*	*	*																																																																																																																																												
*	*	*																																																																																																																																												
*	*	*																																																																																																																																												
*	*	*																																																																																																																																												
*	*	*																																																																																																																																												
			1 1 1 1			<table border="1" style="display: inline-table; vertical-align: middle;"> <tr><td>*</td><td>*</td><td>*</td><td></td><td></td><td></td><td></td><td></td></tr> <tr><td>*</td><td>*</td><td>*</td><td></td><td></td><td></td><td></td><td></td></tr> <tr><td>*</td><td>*</td><td>*</td><td></td><td></td><td></td><td></td><td></td></tr> <tr><td>*</td><td>*</td><td>*</td><td></td><td></td><td></td><td></td><td></td></tr> <tr><td>*</td><td>*</td><td>*</td><td></td><td></td><td></td><td></td><td></td></tr> <tr><td>*</td><td>*</td><td>*</td><td></td><td></td><td></td><td></td><td></td></tr> <tr><td>*</td><td>*</td><td>*</td><td></td><td></td><td></td><td></td><td></td></tr> <tr><td>*</td><td>*</td><td>*</td><td></td><td></td><td></td><td></td><td></td></tr> <tr><td>*</td><td>*</td><td>*</td><td></td><td></td><td></td><td></td><td></td></tr> <tr><td>*</td><td>*</td><td>*</td><td></td><td></td><td></td><td></td><td></td></tr> <tr><td>*</td><td>*</td><td>*</td><td></td><td></td><td></td><td></td><td></td></tr> <tr><td>*</td><td>*</td><td>*</td><td></td><td></td><td></td><td></td><td></td></tr> <tr><td>*</td><td>*</td><td>*</td><td></td><td></td><td></td><td></td><td></td></tr> <tr><td>*</td><td>*</td><td>*</td><td></td><td></td><td></td><td></td><td></td></tr> <tr><td>*</td><td>*</td><td>*</td><td></td><td></td><td></td><td></td><td></td></tr> <tr><td>*</td><td>*</td><td>*</td><td></td><td></td><td></td><td></td><td></td></tr> <tr><td>*</td><td>*</td><td>*</td><td></td><td></td><td></td><td></td><td></td></tr> </table>	*	*	*						*	*	*						*	*	*						*	*	*						*	*	*						*	*	*						*	*	*						*	*	*						*	*	*						*	*	*						*	*	*						*	*	*						*	*	*						*	*	*						*	*	*						*	*	*						*	*	*					
*	*	*																																																																																																																																												
*	*	*																																																																																																																																												
*	*	*																																																																																																																																												
*	*	*																																																																																																																																												
*	*	*																																																																																																																																												
*	*	*																																																																																																																																												
*	*	*																																																																																																																																												
*	*	*																																																																																																																																												
*	*	*																																																																																																																																												
*	*	*																																																																																																																																												
*	*	*																																																																																																																																												
*	*	*																																																																																																																																												
*	*	*																																																																																																																																												
*	*	*																																																																																																																																												
*	*	*																																																																																																																																												
*	*	*																																																																																																																																												
*	*	*																																																																																																																																												

█ : " High "

11. Character Generator ROM Pattern

$\frac{b7 \rightarrow 4}{b3 \rightarrow 0}$		0000	0001	0010	0011	0100	0101	0110	0111	1000	1001	1010	1011	1100	1101	1110	1111
0000	CG RAM [00]			0	1	2	3	4	5				6	7	8	9	A
0001	CG RAM [01]		!	1	A	Q	a	9			.	7	*	G	3	9	
0010	CG RAM [02]		"	2	B	R	b	r			'	/	W	x	P	6	
0011	CG RAM [03]		#	3	C	S	c	s			^	U	T	E	e	o	
0100	CG RAM [04]		\$	4	D	T	d	t			\	L	T	*	H	o	
0101	CG RAM [05]		%	5	E	e	w				-	*	1	e	o		
0110	CG RAM [06]		&	6	F	U	U				0	0	9	P	2		
0111	CG RAM [07]		'	7	G	w	w				7	*	x	9	x		
1000	CG RAM [00]		(8	H	X	h	x			<	0	2	U	J	X	
1001	CG RAM [01])	9	I	Y	i	y			>	1	U	'	Y		
1010	CG RAM [02]		*	*	J	Z	j	z			z	0	N	V	j	*	
1011	CG RAM [03]		+	3	K	k	k				*	U	E	0	*	*	
1100	CG RAM [04]		,	<	L	*	l	l			0	U	U	0	0	*	*
1101	CG RAM [05]		-	=	M	M	m	l			z	x	s	U	l	*	
1110	CG RAM [06]		.	>	N	n	n	*			a	E	*	'	n		
1111	CG RAM [07]		/	?	0	o	e				w	U	7	"	o		

12. Instruction Table

Instruction	Instruction Code										Description	Execution time (fosc=210Khz)
	RS	R/W	DB7	DB6	DB5	DB4	DB3	DB2	DB1	DB0		
Clear Display	0	0	0	0	0	0	0	0	0	1	Write "20H" to DDRAM and set DDRAM address to "00H" from AC	1.98ms
Return Home	0	0	0	0	0	0	0	0	1	—	Set DDRAM address to "00H" from AC and return cursor to its original position if shifted. The contents of DDRAM are not changed.	1.98ms
Entry Mode Set	0	0	0	0	0	0	0	1	I/D	SH	Assign cursor moving direction and enable the shift of entire display.	48μs
Display ON/OFF	0	0	0	0	0	0	1	D	C	B	Set display (D), cursor (C), and blinking of cursor (B) on/off control bit.	48μs
Cursor or Display Shift	0	0	0	0	0	1	S/C	R/L	—	—	Set cursor moving and display shift control bit, and the direction, without changing of DDRAM data.	48μs
Function Set	0	0	0	0	1	DL	N	F	—	—	Set interface data length (DL:8-bit/4-bit), numbers of display line (N:2-line/1-line)and, display font type (F:5×11 dots/5×8 dots)	48μs
Set CGRAM Address	0	0	0	1	AC5	AC4	AC3	AC2	AC1	AC0	Set CGRAM address in address counter.	48μs
Set DDRAM Address	0	0	1	AC6	AC5	AC4	AC3	AC2	AC1	AC0	Set DDRAM address in address counter.	48μs
Write Data to RAM	1	0	D7	D6	D5	D4	D3	D2	D1	D0	Write data into internal RAM (DDRAM/CGRAM).	48μs

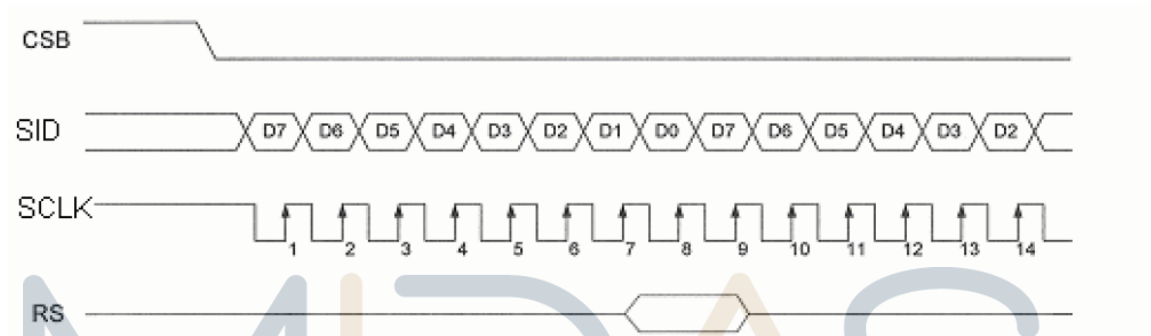
design • manufacture • supply * ”—” : N/A

13. Interface with MPU

- For serial interface data, bus lines (DB5 to DB7) are used. 4-Line SPI

If 4-Pin SPI mode is used, CSB (DB5), SID (DB7), SCLK (DB6), and RS are used. They are chip selection; serial input data, serial clock input, and data/instruction section, relatively. The example of timing sequence is shown below.

- Example of timing sequence

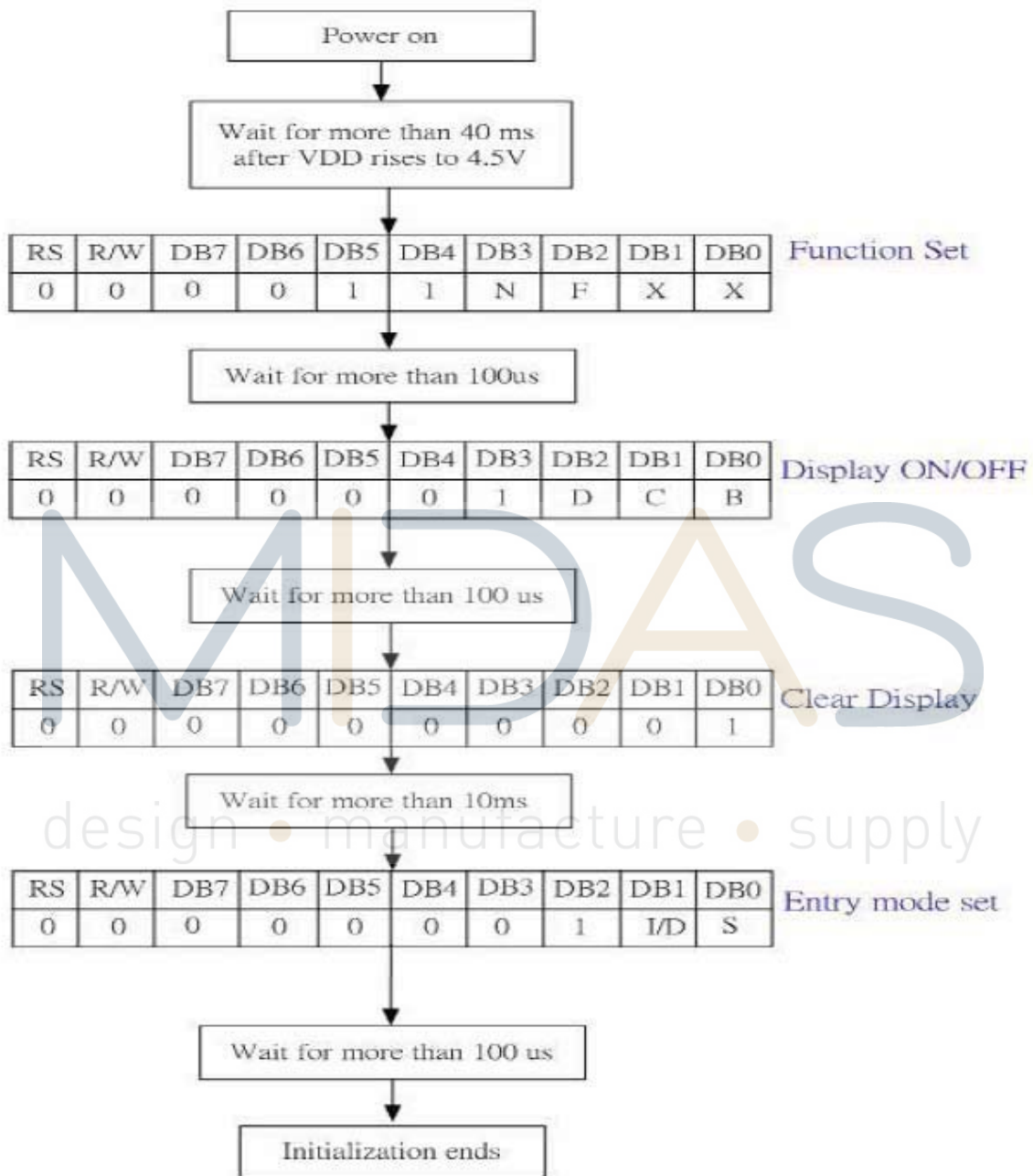


Note: Following is the master SPI clock mode of MPU.

Idle state for clock is a high level · data transmitted on rising edge of SCLK, and data is hold during low level.

design • manufacture • supply

14. Initializing of LCM



Initial Code:

```
void InitRW1063(void)
```

```
{
```

```
    WriteInst (0x38); //DL=1: 8 bits; N=1: 2 line; F=0: 5 x 8dots
```

```
    WriteInst (0x0c); // D=1, display on; C=B=0; cursor off; blinking off;
```

```
    WriteInst (0x06); // I/D=1: Increment by 1; S=0: No shift
```

```
}
```

15. Quality Assurance

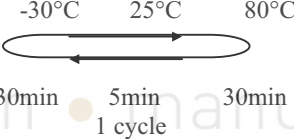
Screen Cosmetic Criteria

Item	Defect	Judgment Criterion	Partition																				
1	Spots	<p>A)Clear</p> <table border="0"> <tr> <td><u>Size: d mm</u></td> <td><u>Acceptable Qty in active area</u></td> </tr> <tr> <td>$d \leq 0.1$</td> <td>Disregard</td> </tr> <tr> <td>$0.1 < d \leq 0.2$</td> <td>6</td> </tr> <tr> <td>$0.2 < d \leq 0.3$</td> <td>2</td> </tr> <tr> <td>$0.3 < d$</td> <td>0</td> </tr> </table> <p>Note: Including pin holes and defective dots which must be within one pixel size.</p> <p>B)Unclear</p> <table border="0"> <tr> <td><u>Size: d mm</u></td> <td><u>Acceptable Qty in active area</u></td> </tr> <tr> <td>$d \leq 0.2$</td> <td>Disregard</td> </tr> <tr> <td>$0.2 < d \leq 0.5$</td> <td>6</td> </tr> <tr> <td>$0.5 < d \leq 0.7$</td> <td>2</td> </tr> <tr> <td>$0.7 < d$</td> <td>0</td> </tr> </table>	<u>Size: d mm</u>	<u>Acceptable Qty in active area</u>	$d \leq 0.1$	Disregard	$0.1 < d \leq 0.2$	6	$0.2 < d \leq 0.3$	2	$0.3 < d$	0	<u>Size: d mm</u>	<u>Acceptable Qty in active area</u>	$d \leq 0.2$	Disregard	$0.2 < d \leq 0.5$	6	$0.5 < d \leq 0.7$	2	$0.7 < d$	0	Minor
<u>Size: d mm</u>	<u>Acceptable Qty in active area</u>																						
$d \leq 0.1$	Disregard																						
$0.1 < d \leq 0.2$	6																						
$0.2 < d \leq 0.3$	2																						
$0.3 < d$	0																						
<u>Size: d mm</u>	<u>Acceptable Qty in active area</u>																						
$d \leq 0.2$	Disregard																						
$0.2 < d \leq 0.5$	6																						
$0.5 < d \leq 0.7$	2																						
$0.7 < d$	0																						
2	Bubbles in Polarizer	<table border="0"> <tr> <td><u>Size: d mm</u></td> <td><u>Acceptable Qty in active area</u></td> </tr> <tr> <td>$d \leq 0.3$</td> <td>Disregard</td> </tr> <tr> <td>$0.3 < d \leq 1.0$</td> <td>3</td> </tr> <tr> <td>$1.0 < d \leq 1.5$</td> <td>1</td> </tr> <tr> <td>$1.5 < d$</td> <td>0</td> </tr> </table>	<u>Size: d mm</u>	<u>Acceptable Qty in active area</u>	$d \leq 0.3$	Disregard	$0.3 < d \leq 1.0$	3	$1.0 < d \leq 1.5$	1	$1.5 < d$	0	Minor										
<u>Size: d mm</u>	<u>Acceptable Qty in active area</u>																						
$d \leq 0.3$	Disregard																						
$0.3 < d \leq 1.0$	3																						
$1.0 < d \leq 1.5$	1																						
$1.5 < d$	0																						
3	Scratch	In accordance with spots cosmetic criteria. When the light reflects on the panel surface, the scratches are not to be remarkable.	Minor																				
4	Allowable Density	Above defects should be separated more than 30mm each other.	Minor																				
5	Coloration	Not to be noticeable coloration in the viewing area of the LCD panels. Back-light type should be judged with back-light on state only.	Minor																				

design • manufacture • supply

16. Reliability

Content of Reliability Test

Environmental Test			
Test Item	Content of Test	Test Condition	Applicable Standard
High Temperature storage	Endurance test applying the high storage temperature for a long time.	80 96hrs	—
Low Temperature storage	Endurance test applying the high storage temperature for a long time.	-30°C 96hrs	—
High Temperature Operation	Endurance test applying the electric stress (Voltage & Current) and the thermal stress to the element for a long time.	70°C 96hrs	—
Low Temperature Operation	Endurance test applying the electric stress under low temperature for a long time.	-20°C 96hrs	—
High Temperature/ Humidity Storage	Endurance test applying the high temperature and high humidity storage for a long time.	80°C, 90%RH 96hrs	—
High Temperature/ Humidity Operation	Endurance test applying the electric stress (Voltage & Current) and temperature / humidity stress to the element for a long time.	70°C, 90%RH 96hrs	—
Temperature Cycle	Endurance test applying the low and high temperature cycle. 	-30°C → 80°C 10 cycles	—
Mechanical Test			
Vibration test	Endurance test applying the vibration during transportation and using.	10~22Hz→1.5mmp-p 22~500Hz→1.5G Total 0.5hrs	—
Shock test	Constructional and mechanical endurance test applying the shock during transportation.	50G Half sign wave 11 msdc 3 times of each direction	—

***Supply voltage for logic system=5V. Supply voltage for LCD system =Operating voltage at 25°C