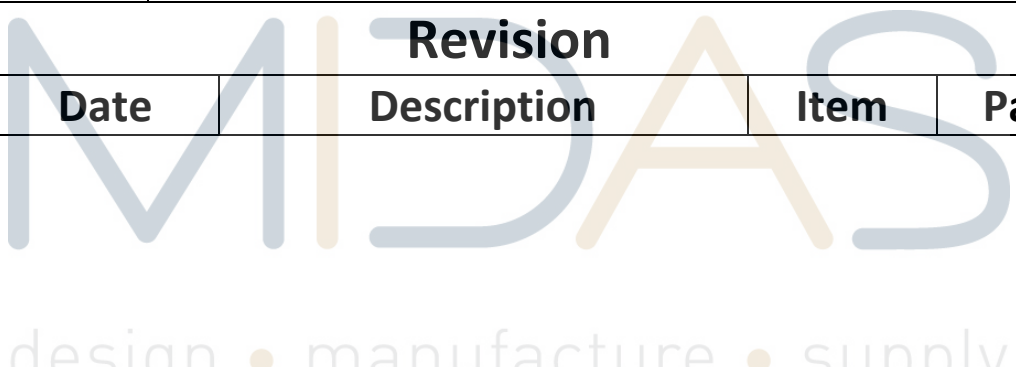


Specification				
Part Number:		MCT057HA6W320240LSL		
Version:				
Date:				
Revision				
No.	Date	Description	Item	Page
				

Contents

	Page
2. General Specification	4
3. Module Coding System	5
4. Block Diagram	6
5. Electrical Characteristics	7
6. Absolute Maximum Ratings	7
7. Interface Pin Function	8
8. Timing Characteristics	10
9. Waveform	13
10. Optical Characteristics	21
11. Contour Drawing	24
12. LED driving conditions	25
13. Reliability Test	26

MIDAS

design • manufacture • supply

2. General Specification

This product is composed of a TFT LCD panel, driver ICs, FPC, Control Board and a backlight unit. The following table described the features of MCT057H06W320240LSL

- Dot Matrix: 320 x RGB x240
- Module dimension: FI F.FGx 101.55 x 6.3 (max.) mm
- View area: 117.9 x 89.1 mm
- Active area: 115.2 x 86.4 mm
- Dot pitch: 0.12 x 0.36 mm
- LCD type: TFT, Negative, Transmissive
- View direction: 6 o'clock
- Backlight Type: LED, Normally White
- Controller IC: HX8218-A+HZ8615A(or compatible)

design • manufacture • supply

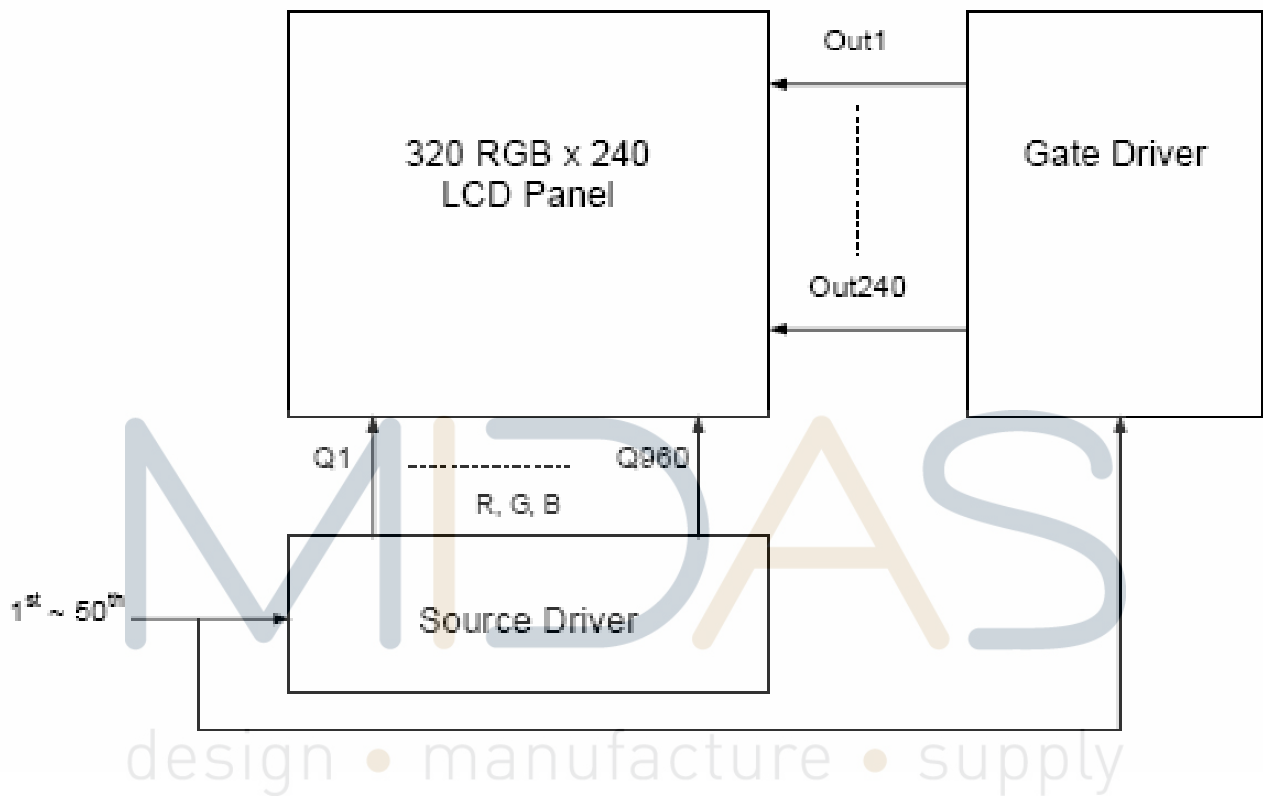
Midas Active Matrix Display Part Number System

MC T 057 A 6 * W 320240 L M L * * * * *

1 2 3 4 5 6 7 8 9 10 11 12 13 14 15 16

- 1 = MC: Midas Components
- 2 = T: TFTA: Active Matrix OLED
- 3 = Size
- 4 = Series
- 5 = Viewing Angle: 6: 6 O'clock 12: 12 O'clock
- 6 = Blank: No Touch T: Resistive Touchscreen C: Capacitive Touchscreen
- 7 = Operating Temp Range: S: 0 to 50Deg C B: -20+60Deg C
W: -20+70Deg C E: -30+85Deg C
- 8 = No of Pixels
- 9 = Orientation: P: Portrait L: Landscape
- 10 = Mode: R: Reflective M: Transmissive T: Transflective
S: Sunlight Readable (transmissive)
W: White on Black (Monochrome)
- 11 = Backlight: Blank: None L: LED C: CCFL
- 12 = Blank: No Module/board C: Controller board module
- 13 = Blank: None V: Video
- 14 = Blank: None B: Bracket
- 15 = Blank: None H: Host Cable
- 16 = Blank: None K: Keyboard

4. Block Diagram



5. Electrical Characteristics

Item	Symbol	Condition	Min	Typ	Max	Unit
Supply Voltage For Logic	V_{DD}	—	3.0	3.3	3.6	V
Input High Volt.	V_{IH}	—	$0.7 V_{DD}$	—	V_{DD}	V
Input Low Volt.	V_{IL}	—	0	—	$0.3 V_{DD}$	V
Power Supply Voltage	V_{GH}	$T_a=25^\circ\text{C}$	10	—	30	V
	V_{GL}	$T_a=25^\circ\text{C}$	-17	—	-5	V
Supply Current	I_{VDD}	$V_{DD}=3.3\text{V}$	—	5	8	mA

MIDAS

6. Absolute Maximum Ratings

design • manufacture • supply

Item	Symbol	Min	Typ	Max	Unit
Operating Temperature	T_{OP}	-20	—	+70	$^\circ\text{C}$
Storage Temperature	T_{ST}	-30	—	+80	$^\circ\text{C}$
Power Supply Voltage	V_{GH}	-0.3	—	32.0	V
	V_{GL}	-22	—	0.3	V
	$V_{GH} - V_{GL}$	-0.3	—	+45	V

7. Interface Pin Function

7-1 LCM PIN Definition

Pin No.	Symbol	I/O	Description	Remark
1	IF1	I	Input data format control (Note1)	Note1
2	IF2	I	Input data format control (Note1)	Note1
3	POL	O	Polarity Signal connect to VCOM driving circuit.	Note3
4	RESET	I	Hardware reset.	
5	SPENA	I	Chip select	Note2
6	SPCL	I	Serial Clock	Note2
7	SPDA	I/O	Serial Data	
8	B0	I	Blue Data bit (LSB)	
9	B1	I	Blue Data bit	
10	B2	I	Blue Data bit	
11	B3	I	Blue Data bit	
12	B4	I	Blue Data bit	
13	B5	I	Blue Data bit	
14	B6	I	Blue Data bit	
15	B7	I	Blue Data bit(MSB)	
16	G0	I	Green Data bit(LSB)	
17	G1	I	Green Data bit	
18	G2	I	Green Data bit	
19	G3	I	Green Data bit	
20	G4	I	Green Data bit	
21	G5	I	Green Data bit	
22	G6	I	Green Data bit	
23	G7	I	Green Data bit(MSB)	
24	R0	I	Red Data bit(LSB)	
25	R1	I	Red Data bit	
26	R2	I	Red Data bit	
27	R3	I	Red Data bit	
28	R4	I	Red Data bit	
29	R5	I	Red Data bit	
30	R6	I	Red Data bit	
31	R7	I	Red Data bit(MSB)	
32	Hsync	I	Horizontal synchronous signal	
33	Vsync	I	Vertical synchronous signal	
34	Data CLK	I	Dot data clock	
35	AVDD(analog)	I	Analog power: 4.5V~5.5V	
36	AVDD(analog)	I	Analog power: 4.5V~5.5V	
37	VDD(Digital)	I	Digital power: 3V~3.6V	
38	VDD(Digital)	I	Digital power: 3V~3.6V	
39	NPC	O	NTSC/PAL mode Auto detection result H:NTSC/L:PAL	
40	VGL	I	Gate off power	
41	VGL	I	Gate off power	

42	UD	I	Up/Down scan setting. H: Reverse scan / L: Normal scan	
43	VGH	I	Gate on power	
44	LRC	I	Shift direction of device internal shift register control.	
45	GND	I	GROUND	
46	VCOM	I	VCOM driving input	Note3
47	VCOM	I	VCOM driving input	
48	ENB	I	Data enable input. Normally pull low.	Note4
49	GND	I	GROUND	
50	GND	I	GROUND	

Note: 1. Control the input data format.

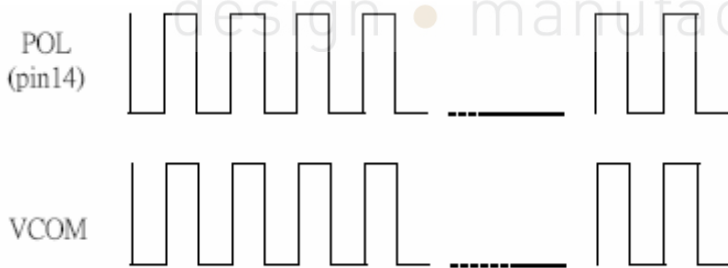
IF2,IF1	Input data format
L,L(default)	Serial RGB
L,H	Parallel RGB
H,L	CCIR601
H,H	CCIR656

2. Pin 5、 Pin 6 usually pull high.

3. The polarity of VCOM (Pin 46,47) should be generated from POL (Pin 3).

4. For digital RGB input data format, both SYNC mode and DE+SYNC mode are supported. If ENB signal is fixed low, SYNC mode is used. Otherwise, DE+SYNC mode is used.

5. The phase of POL (pin 3):



7.2 Backlight PIN Definition

Pin No.	Symbol	I/O	Description
1	VLED+	I	Red, LED_ Anode
2	VLED-	I	Black, LED_ Cathode

Note: The backlight interface connector is a model **PHR-2** manufactured by JST or equivalent.

The matching connector part number is **S 2B-PH-K-S** manufactured by JST or equivalent.

[Link to example connector](#)

8. AC Characteristics

8.1. CCIR601/656 Interface

8.1.1. Input signal characteristics

PARAMETER	Symbol	Min.	Typ.	Max.	Unit
CLK period	T_{OSC}	-	37	-	ns
Data setup time	T_{SU}	12	-	-	ns
Data hold time	T_{HD}	12	-	-	ns

8.1.2 Hardware reset timing

PARAMETER	Symbol	Min.	Typ.	Max.	Unit
RESET low pulse width	T_{RSB}	10	-	-	μ S

8.1.3. Output signal characteristics

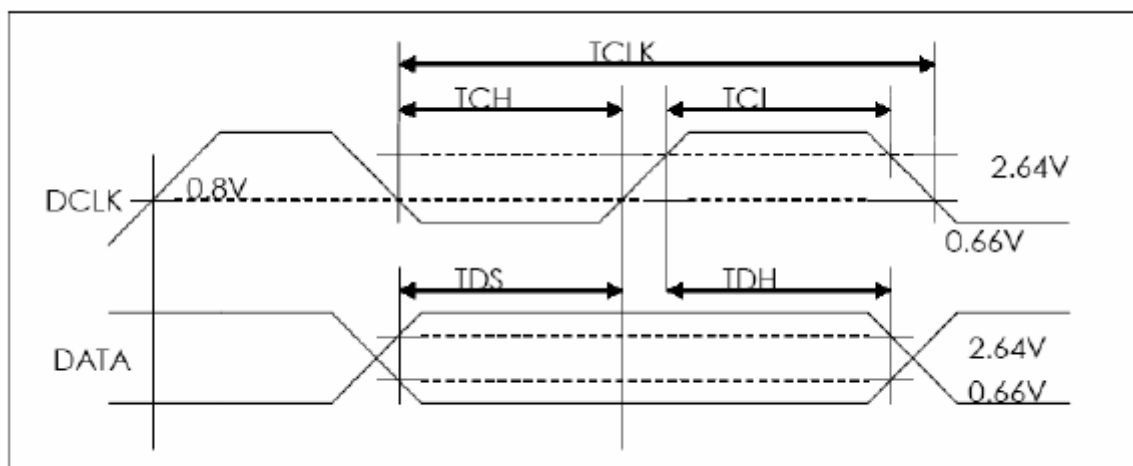
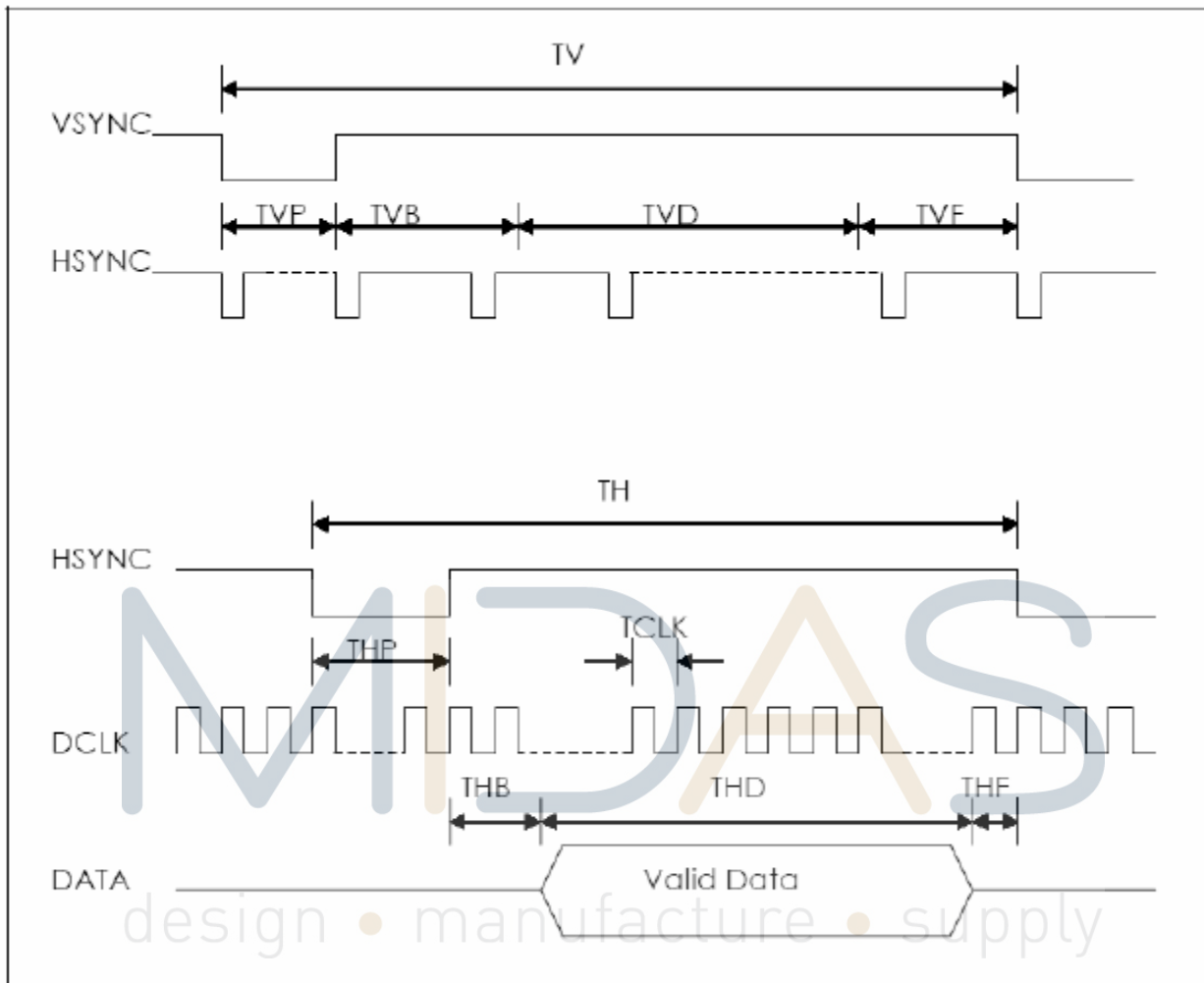
PARAMETER	Symbol	Min.	Typ.	Max.	Unit
Rising time	T_r	-	-	10	ns
Falling time	T_f	-	-	10	ns
Internal STH setup time	T_{SUS}	12	-	-	ns
Internal STH hold time	T_{HDS}	12	-	-	ns
Internal data setup time	T_{SUD}	60	-	-	ns
Internal data hold time	T_{HDD}	40	-	-	ns
OEH pulse width	T_{OEH}	-	1248	-	ns
OEV pulse width	T_{OEV}	-	4992	-	ns
CKV pulse width	T_{CKV}	-	3744	-	ns
Hsync – DEH time	T_1	-	4368	-	ns
Hsync – CKV time	T_2	-	2496	-	ns
Hsync – OEV time	T_3	-	624	-	ns
Vsync – setup time	T_{SUV}	-	1872	-	ns
Vsync – pulse time	T_{STV}	-	1	-	T_H
Vsync – STV time	NTSC	-	19	-	T_H
	PAL	-	27	-	T_H
OEH – STV time	T_{HE}	-	2	-	T_H
Output settling time	T_{OES}	-	12	20	μ S

8.2. 24-bits parallel RGB Interface

8.2.1 AC Timing Characteristics

Signal	Item		Symbol	Min	Typ	Max	Unit
Dclk	Frequency		Dclk	-	6.4	-	MHZ
	High Time		Tch	-	78	-	ns
	Low Time		Tcl	-	78	-	ns
Data	Setup Time		Tds	12	-	-	ns
	Hold Time		Tdh	12	-	-	ns
Hsync	Period		TH	-	408	-	DCLK
	Pulse Width		Thp	-	30	-	DCLK
	Back-Porch		Thb	-	38	-	DCLK
	Display Period		Thd	-	320	-	DCLK
	Front-Porch		Thf	-	20	-	DCLK
Vsync	Period	NTSC	Tv	-	262.5	-	TH
		PAL			312.5		
	Pulse Width		Tvp	1	3	5	TH
	Back-Porch	NTSC	Tvb	-	15	-	TH
		PAL			23		
	Display Period		Tvd	-	240	-	TH
	Front-Porch	NTSC	Tvf	-	4.5	-	TH
PAL		46.5					

8.2.2 AC Timing Diagrams

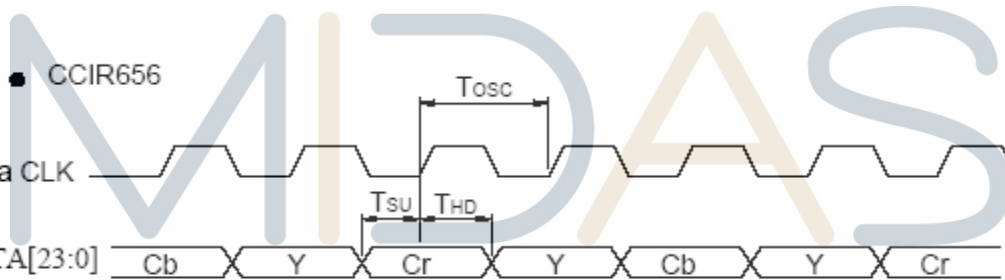
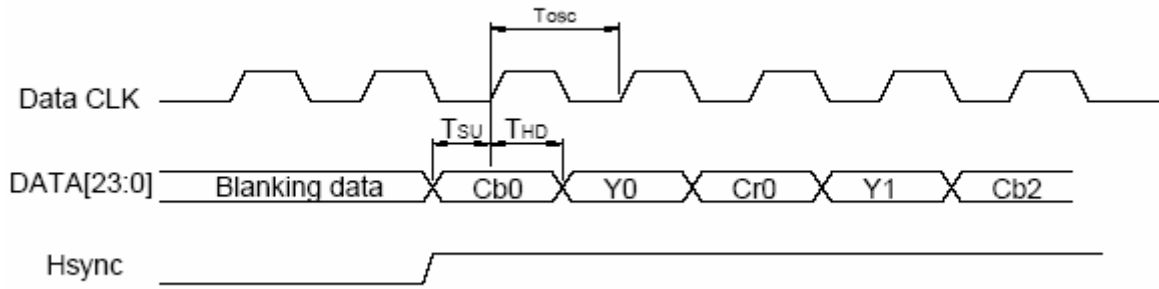


9. Waveform

9.1. Timing Controller Timing Chart

9.1.1. Clock and Data waveform

- CCIR601(HS_POL="L" in Register R2)

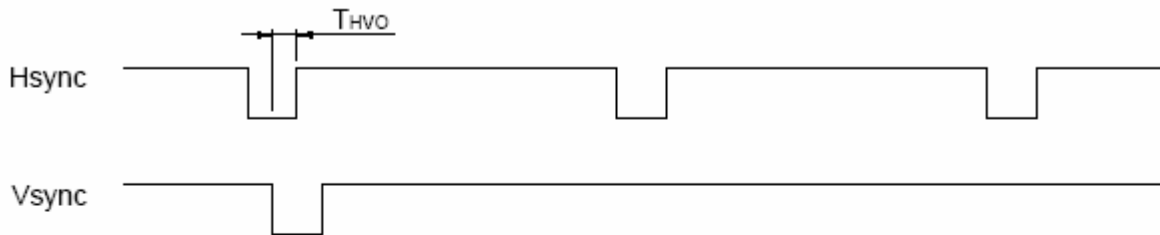


design • manufacture • supply

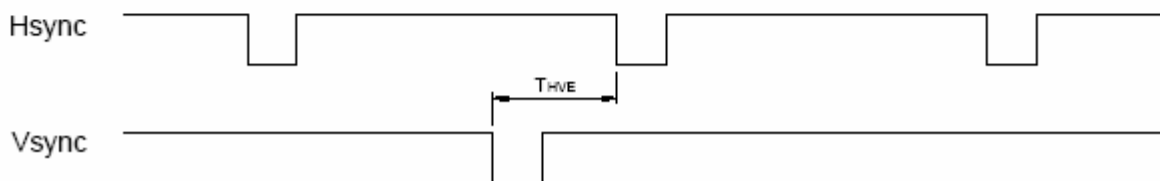
9.1.2 Digital / Analog RGB timing waveform

9.1.2.1 Hsync and Vsync timing

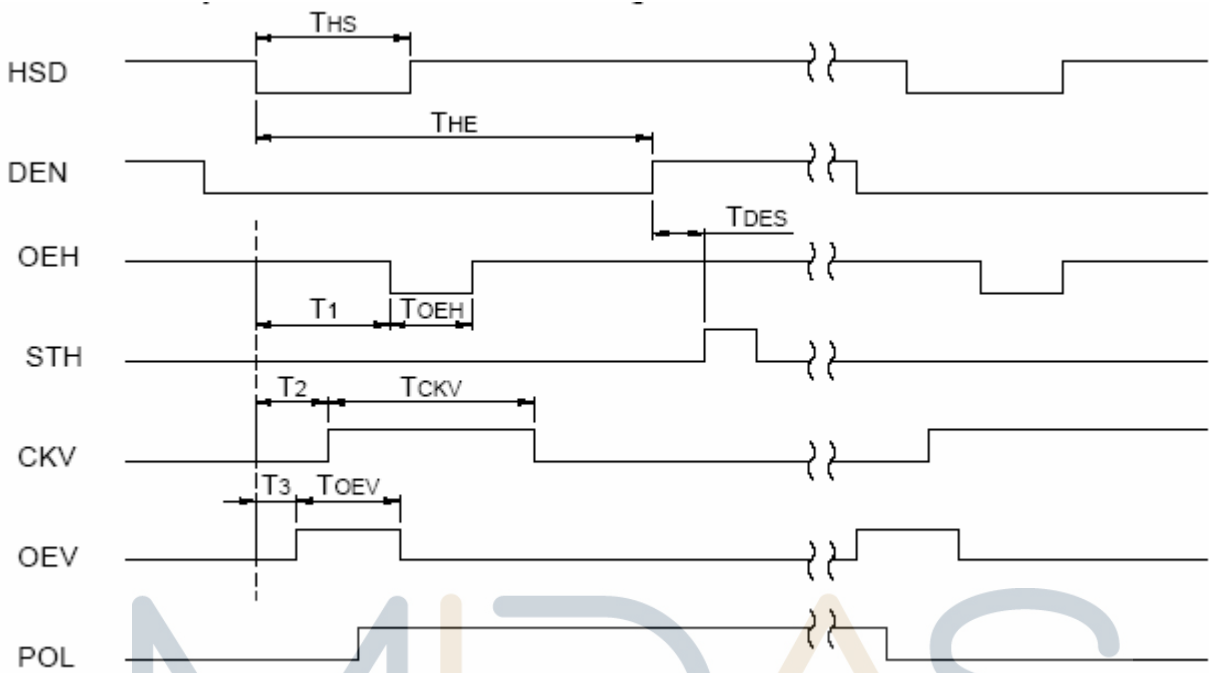
- Odd field



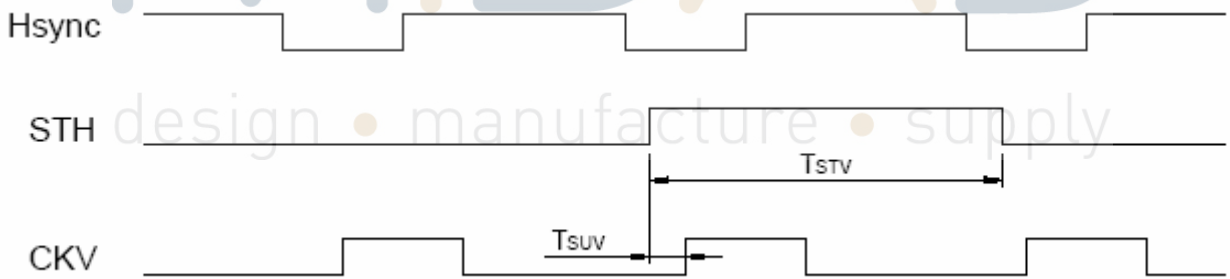
- Even field



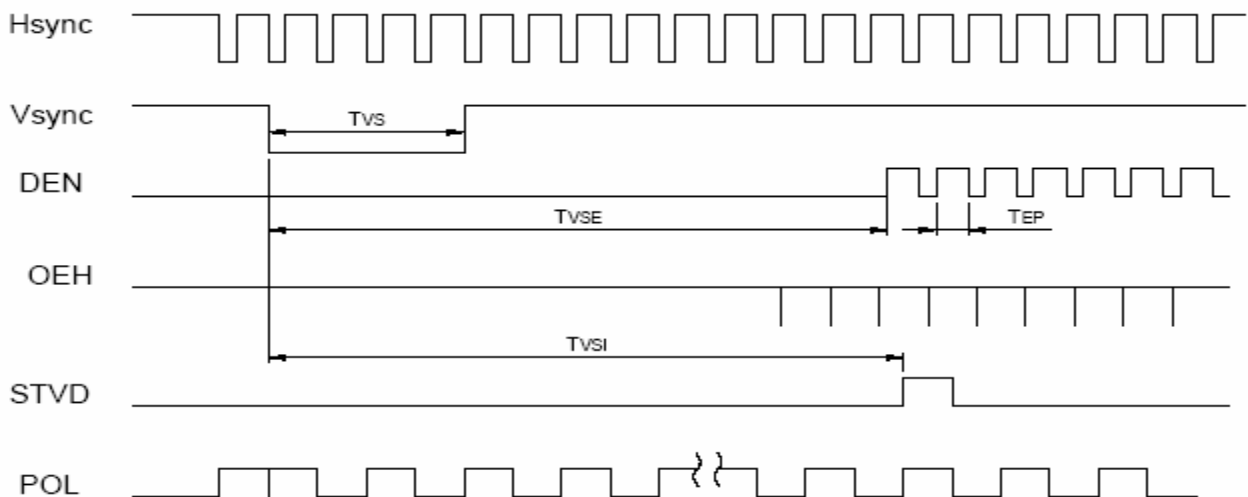
9.1.2.2 Hsync and horizontal control timing waveform



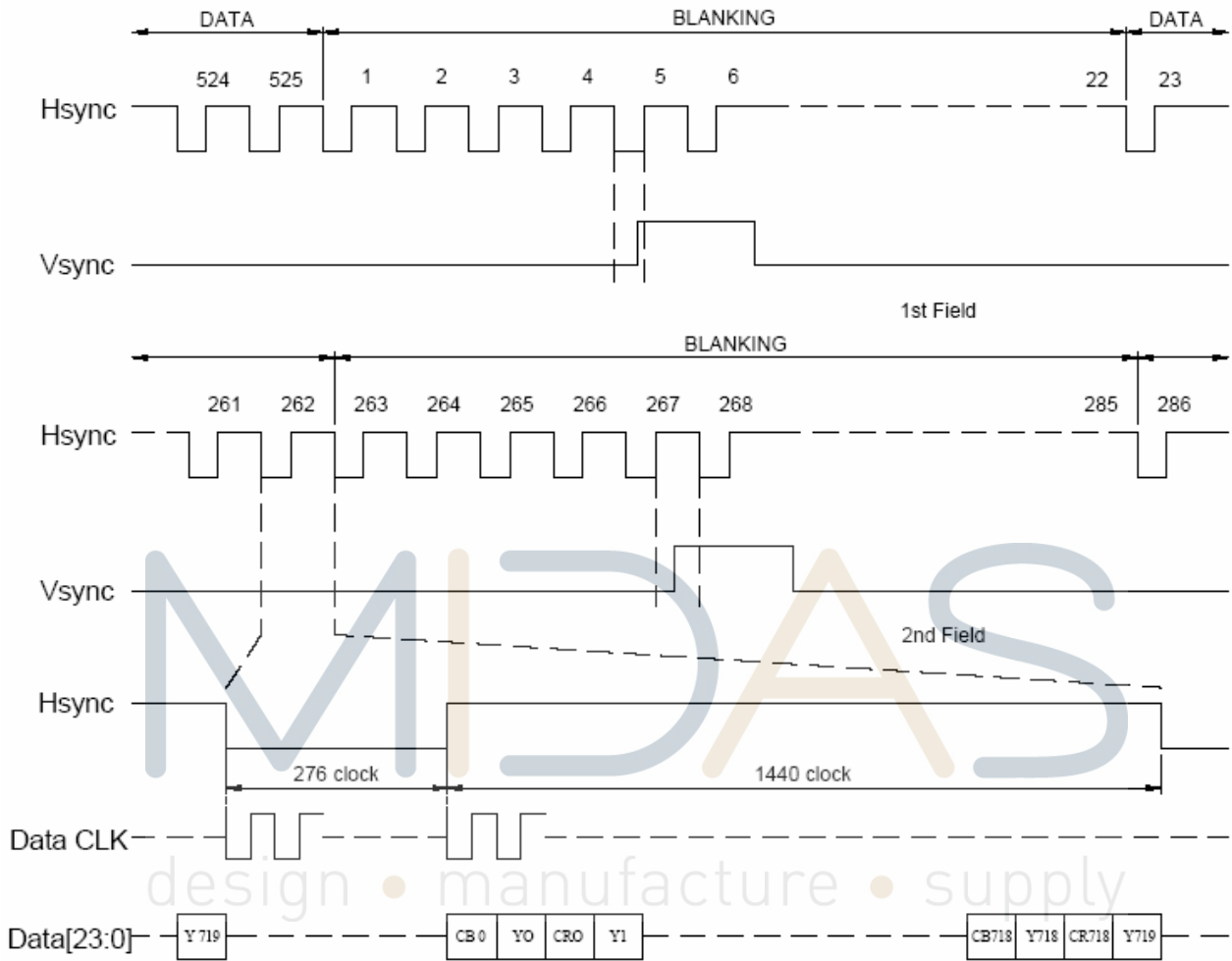
9.1.2.3 Hsync and vertical shift clock timing waveform



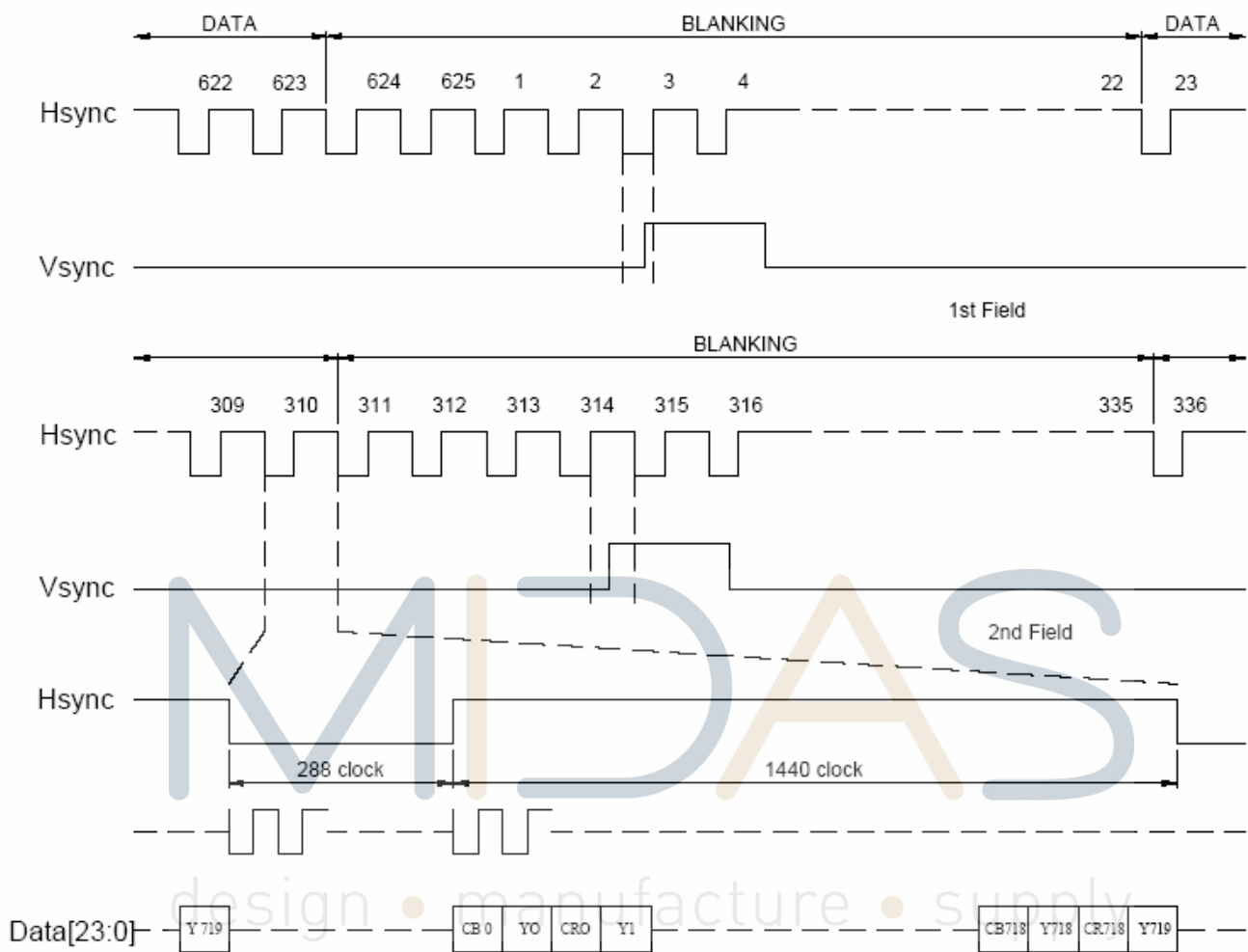
9.1.2.4 Hsync and vertical shift clock timing waveform



9.1.3 CCIR601 timing waveform (VS_POL="H" , HS_POL="L" in Register R2)



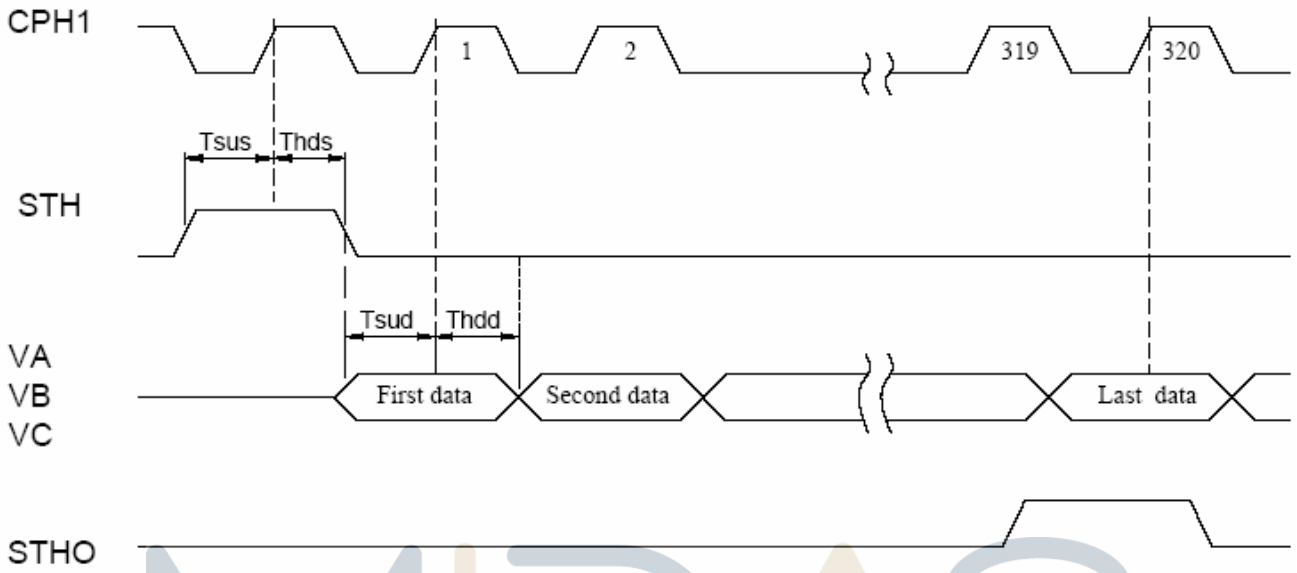
ITU-BT.601 NTSC Input Timing



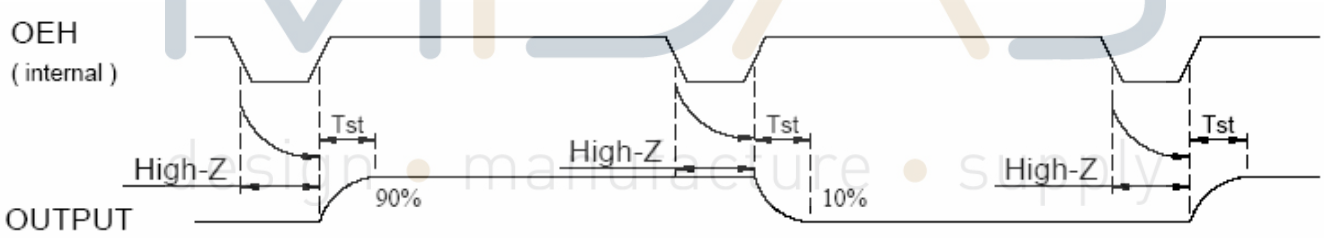
ITU-BT.601 PAL Input Timing

9.2 Source Driver Timing Chart

9.2.1 Clock and Start Pulse timing waveform



9.2.2 OEH and Data Output timing waveform



9.3 Analog video signal characteristics

PARAMETER	Symbol	Min.	Typ.	Max.	Unit
Video signal amplitude (VA, VB, VC)	V_{IAC}	-	3.81	-	V
	V_{IDC}	-	2.385	-	V

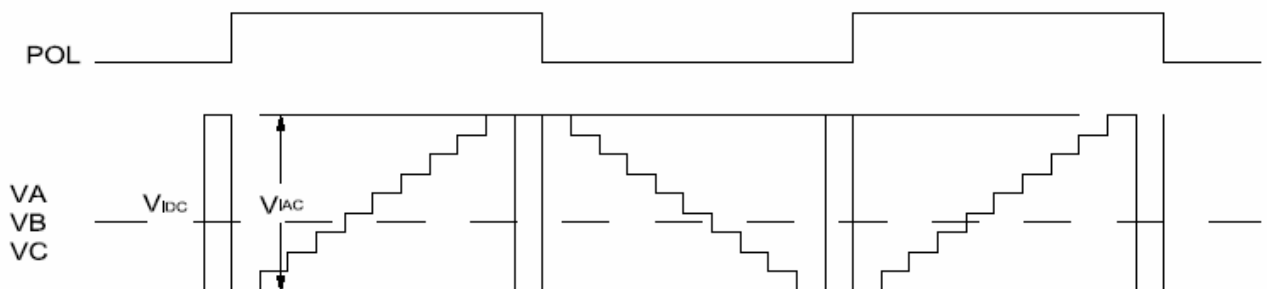
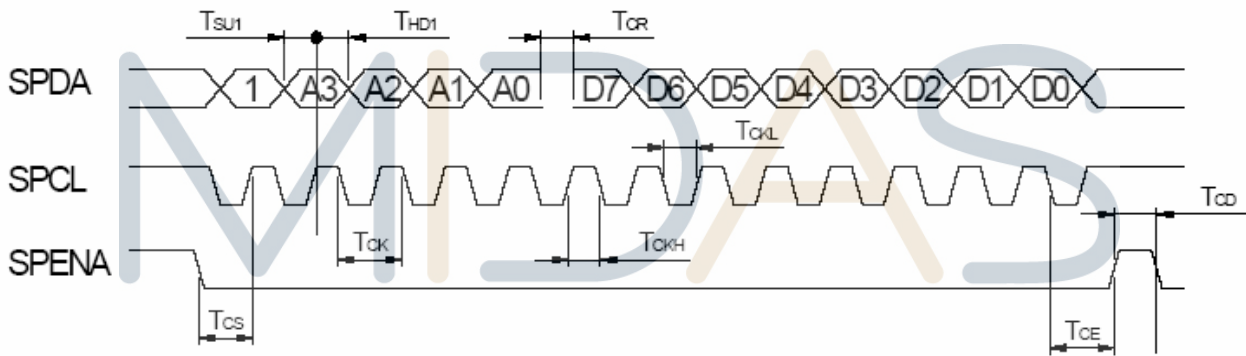


Fig. 4-(a) Horizontal timing

9.4 SPI timing characteristics

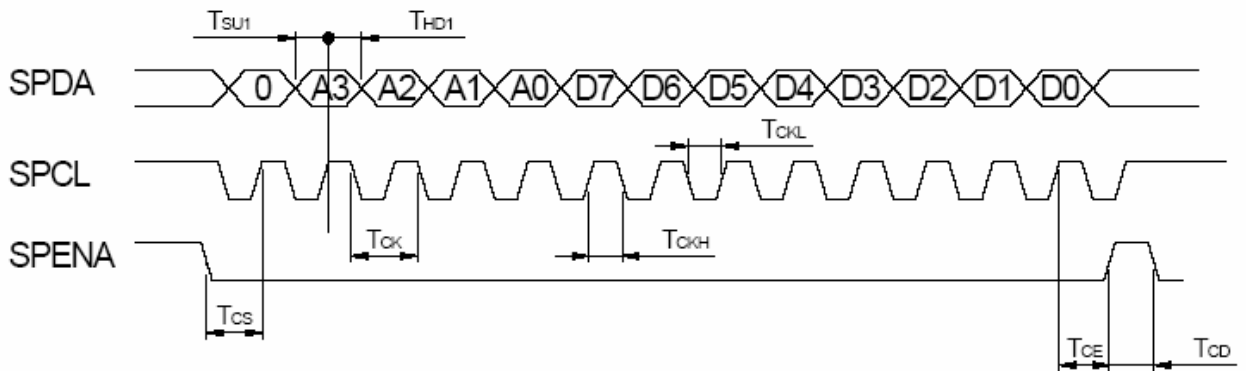
PARAMETER	Symbol	Min.	Typ.	Max.	Unit
SPCL period	T_{CK}	60	-	-	ns
SPCL high width	T_{CKH}	30	-	-	ns
SPCL low width	T_{CKL}	30	-	-	ns
Data setup time	T_{SU1}	12	-	-	ns
Data hold time	T_{HD1}	12	-	-	ns
SPENA to SPCK setup time	T_{CS}	20	-	-	ns
SPENA to SPDA hold time	T_{CE}	20	-	-	ns
SPENA high pulse width	T_{CD}	50	-	-	ns
SPDA output latency	T_{CR}		1/2	-	T_{CK}

● SPI "read" timing



design • manufacture • supply

● SPI "write" timing

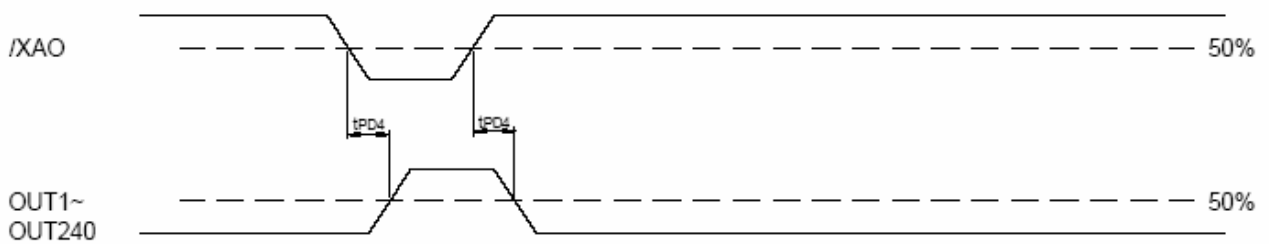
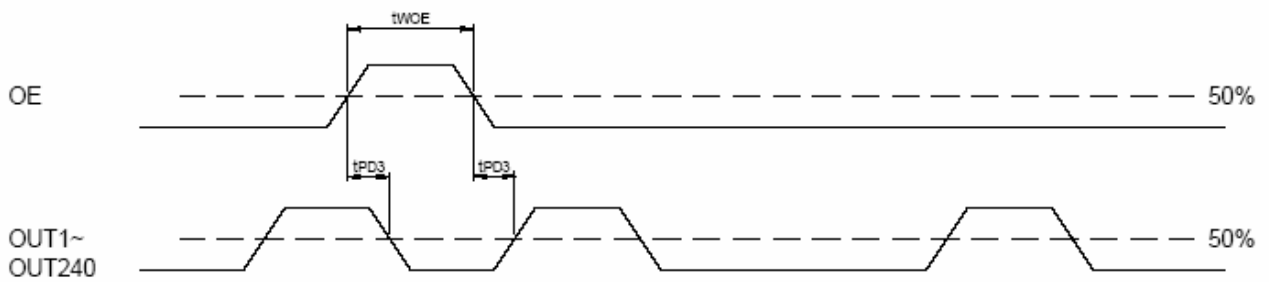
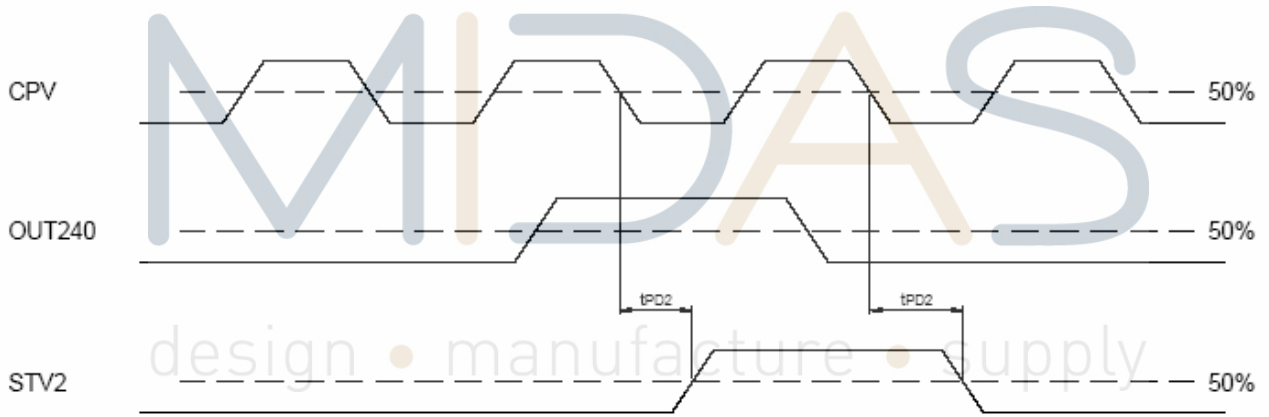
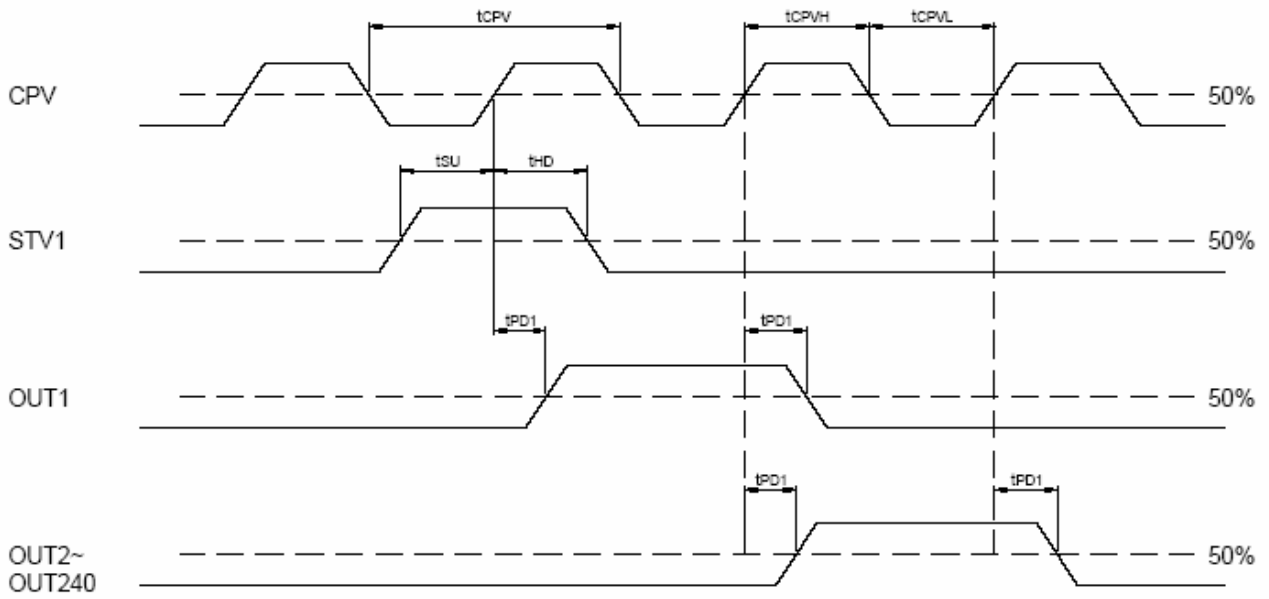


9.5 Gate Driver Timing Chart

Parameter	Symbol	Condition	Spec		Unit
			Min.	Max.	
Operation frequency	tCPV		5	-	μ s
CPV pulse width	tCPVH,tCPVL	50%duty cycle	2.5	-	
OE pulse width	twOE		1	-	
Data setup time	tsu		0.4	-	us
Data hold time	thd		0.7	-	
Output delay time	tpd1	CL=300pF	-	1	
Output delay time	tpd2	CL=300pF	-	0.8	
Output delay time	tpd3	CL=300pF	-	0.8	
Output delay time	tpd4	CL=300pF	-	10	

MIDAS

design • manufacture • supply



10. Optical Characteristics

Item	Symbol	Condition	Min.	Typ.	Max.	Unit	Remark	
Response time	Tr	$\theta=0^\circ$	—	15	30	ms	Note 3,5	
	Tf		—	35	50	ms		
Contrast ratio	CR	At optimized viewing angle	350				Note 4,5	
Color chromaticity	White	Wx	(0.25)	(0.30)	(0.35)		Note 2,6,7	
		Wy	(0.27)	(0.32)	(0.37)			
Viewing angle	Hor.	θ_R	$CR \geq 10$	50	65	—	Deg.	Note 1
		θ_L		50	65	—		
	Ver.	θ_T		30	50	—		
		θ_B		50	55	—		
Uniformity	U	—	(70)	(75)	—	%	Note 8	
Brightness	—	25°C	800	—	—	Cd/m ²	Center of display. Note 9	

PS. The inaccuracy of average brightness is around 10% to 15% due to material differences.

Note 1: Definition of viewing angle range

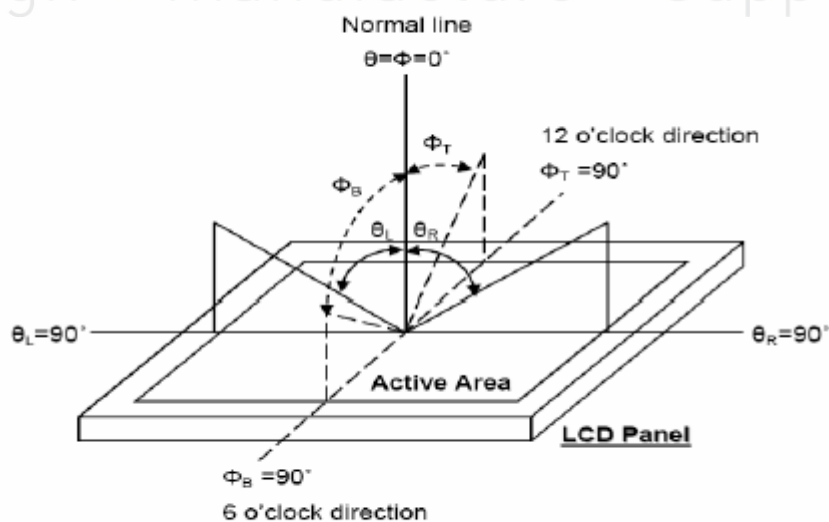


Fig. 8-1 Definition of viewing angle

Note 2: Test equipment setup:

After stabilizing and leaving the panel alone at a driven temperature for 5 minutes, the measurement should be executed. Measurement should be executed in a stable, windless, and dark room. Optical specifications are measured by Topcon BM-7 luminance meter 1.0° field of view at a distance of 50cm and normal direction.

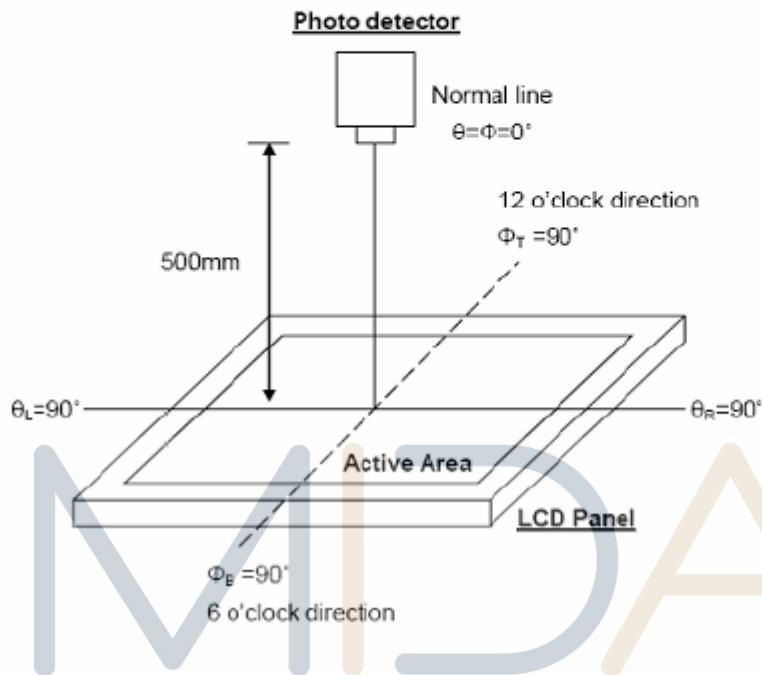


Fig. 8-2 Optical measurement system setup

Note 3: Definition of Response time:

The response time is defined as the LCD optical switching time interval between "White" state and "Black" state. Rise time, T_r , is the time between photo detector output intensity changed from 90% to 10%. And fall time, T_f , is the time between photo detector output intensity changed from 10% to 90%.

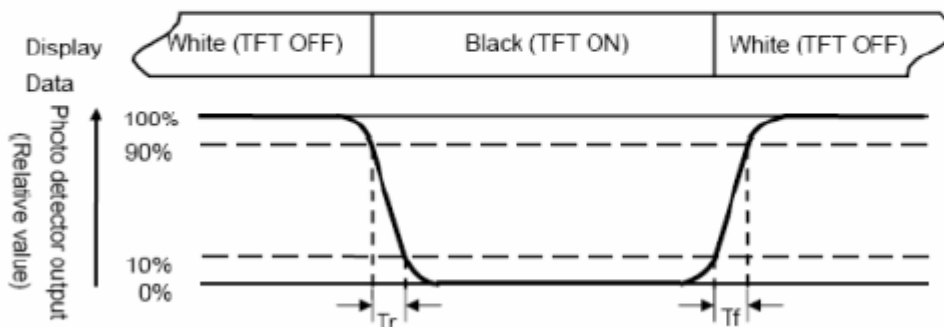


Fig. 3-3 Definition of response time

Note 4: Definition of contrast ratio:

The contrast ratio is defined as the following expression.

$$\text{Contrast ratio (CR)} = \frac{\text{Luminance measured when LCD on the "White" state}}{\text{Luminance measured when LCD on the "Black" state}}$$

Note 5: White Vi = $V_{i50} \pm 1.5V$

Black Vi = $V_{i50} \pm 2.0V$

"±" means that the analog input signal swings in phase with VCOM signal.

"±" means that the analog input signal swings out of phase with VCOM signal.

The 100% transmission is defined as the transmission of LCD panel when all the input terminals of module are electrically opened.

Note 6: Definition of color chromaticity (CIE 1931)

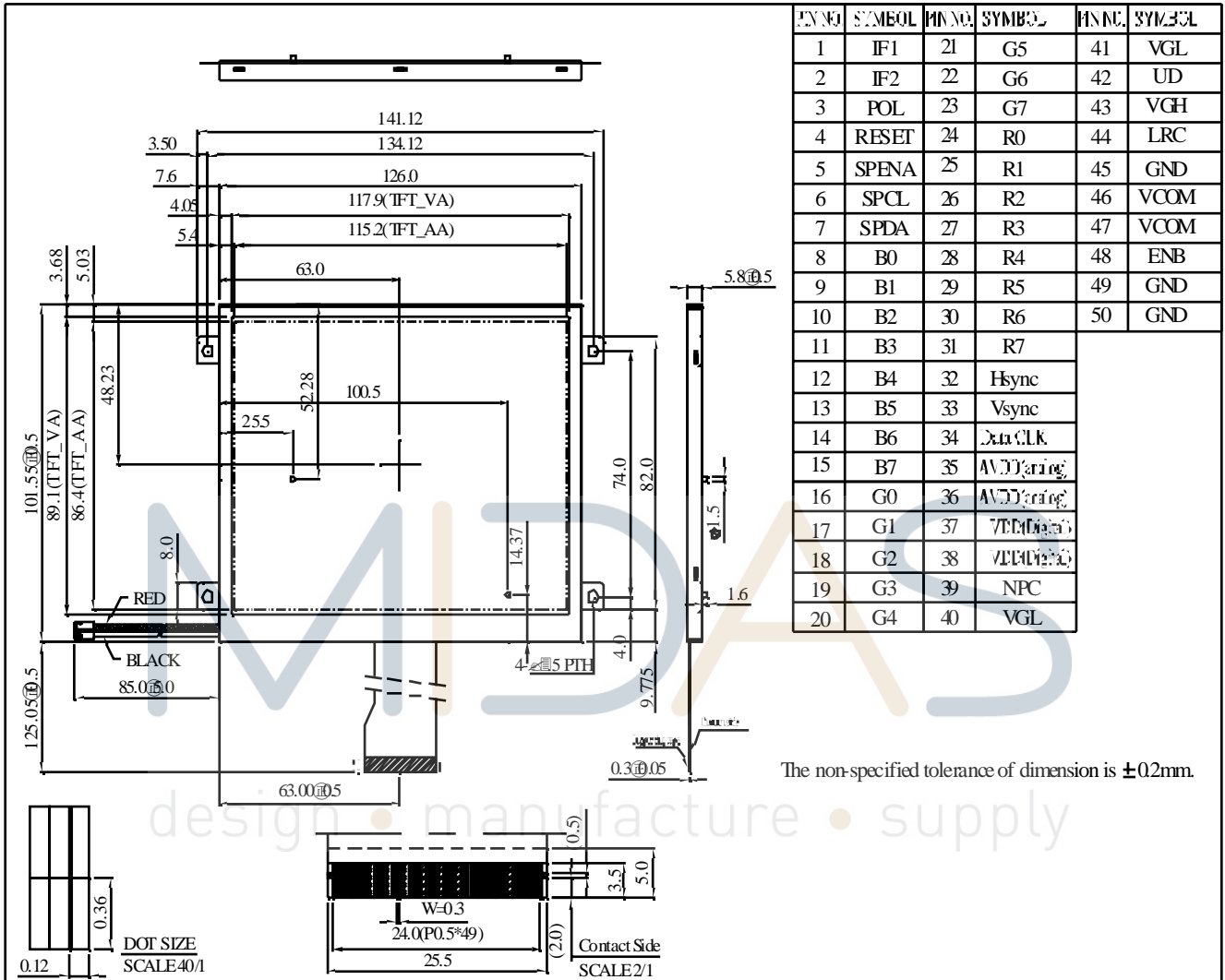
Color coordinates measured at the center point of LCD

Note 7: Measured at the center area of the panel when all the input terminals of LCD panel are electrically opened.

$$\text{Note 8 : Uniformity (U)} = \frac{\text{Brightness (min)}}{\text{Brightness (max)}} \times 100\%$$

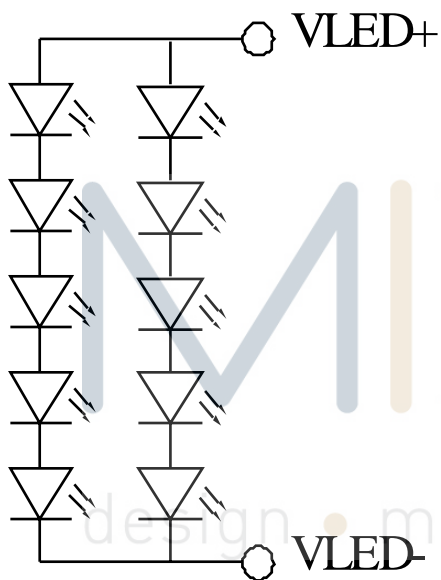
Note 9: The brightness of center will decrease 10% to 15% due to rising temperatures in work environment.

11. Contour Drawing



12. LED driving conditions

Parameter	Symbol	Min.	Typ.	Max.	Unit	Remark
LED Current	I_{LED}	120	----	130	mA	Note1
LED voltage	V_{LED}	13.5	----	16.0	V	
LED life Time	-	----	50K	----	-	Note 2,3,4



Note1 : There are 2Groups LED shown as below, $V_{LED}=13.5$ (min.)

Note2 : $T_a=25^{\circ}\text{C}$

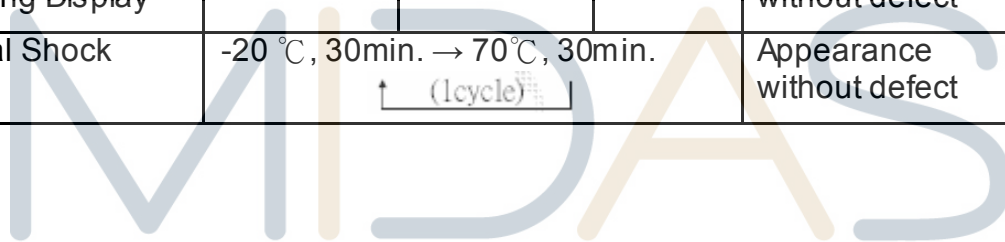
Note3 : Brightness to be decreased to 50% of the initial value

Note4:50K hours is only an estimate for reference.

13. Reliability Test

WIDE TEMPERATURE RELIABILITY TEST

NO	ITEM	CONDITION			STANDARD	NOTE
1	High Temp. Storage	80°C	240 Hrs		Appearance without defect	
2	Low Temp. Storage	-30°C	240 Hrs		Appearance without defect	
3	High Temp. & High Humi. Storage	60 °C 90%RH	240 Hrs		Appearance without defect	
4	High Temp. Operating Display	70°C	240 Hrs		Appearance without defect	
5	Low Temp. Operating Display	-20°C	240 Hrs		Appearance without defect	
6	Thermal Shock	-20 °C, 30min. → 70°C, 30min. ↑ (cycle) ↓			Appearance without defect	10 cycles



design • manufacture • supply

Inspection Provision

1.Purpose

The Midas inspection provision provides outgoing inspection provision and its expected quality level based on our outgoing inspection of Midas LCD produces.

2.Applicable Scope

The Midas inspection provision is applicable to the arrangement in regard to outgoing inspection and quality assurance after outgoing.

3.Technical Terms

3-1 Midas Technical Terms



4.Outgoing Inspection

4-1 Inspection Method

MIL-STD-105E Level II Regular inspection

4-2 Inspection Standard

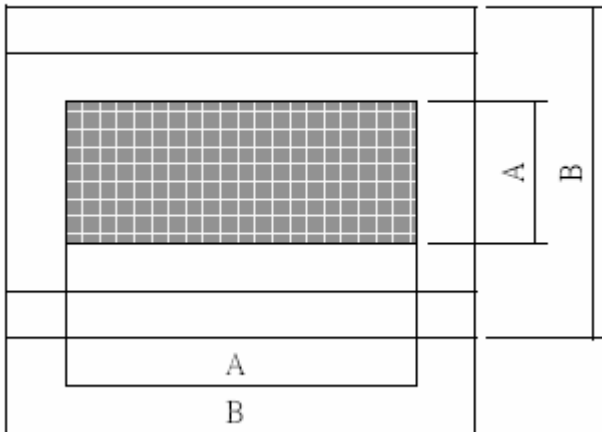
	Item	AQL(%)	Remarks
Major Defect	Dots Opens Shorts Erroneous operation	0.4	Faults which substantially lower the practicality and the initial purpose difficult to achieve
	Solder appearance Shorts Loose		
	Cracks Display surface cracks		

	Dimensions	External from Dimensions	AQL	Remarks
Minor Defect	Inside the glass	Black spots	0.65	Faults which appear to pose almost no obstacle to the practicality, effective use, and operation
	Polarizing plate	Scratches, foreign Matter, air bubbles, and peeling		
	Dots	Pinhole, deformation		
	Color tone	Color unevenness		
	Solder appearance	Cold solder Solder projections		

4-3 Inspection Provisions

*Viewing Area Definition

Fig. 1



A : Zone Viewing Area

B : Zone Glass Plate Outline

*Inspection place to be 500 to 1000 lux illuminance uniformly without glaring.

The distance between luminous source (daylight fluorescent lamp and cool white fluorescent lamp)

and sample to be 30 cm to 50 cm.

design • manufacture • supply

*Test and measurement are performed under the following conditions, unless otherwise specified.

Temperature $20 \pm 15^{\circ}\text{C}$

Humidity $65 \pm 20\% \text{R.H.}$

Pressure 860~1060hPa(mmbar)

In case of doubtful judgment, it is performed under the following conditions.

Temperature $20 \pm 2^{\circ}\text{C}$

Humidity $65 \pm 5\% \text{R.H.}$

Pressure 860~1060hPa(mmbar)

5.Specification for quality check

5-1-1 Electrical characteristics :

NO.	Item	Criterion
1	Non operational	Fail
2	Miss operating	Fail
3	Contrast irregular	Fail
4	Response time	Within Specified value

5-1-2 Components soldering :

Should be no defective soldering such as shorting, loose terminal cold solder, peeling of printed circuit board pattern, improper mounting position, etc.

5-2 Inspection Standard for TFT panel

5-2-1 The environmental condition of inspection :

The environmental condition and visual inspection shall be conducted as below.

(1) Ambient temperature : $25\pm 5^{\circ}\text{C}$

(2) Humidity : 25~75% RH

(3) External appearance inspection shall be conducted by using a single 20W fluorescent lamp or equivalent illumination.

(4) Visual inspection on the operation condition for cosmetic shall be conducted at the distance 30cm or more between the LCD panels and eyes of inspector. The viewing angle shall be 90 degree to the front surface of display panel.

(5) Ambient Illumination : 300~500 Lux for external appearance inspection.

(6) Ambient Illumination : 100~200 Lux for light on inspection.

5-2-2 Inspection Criteria

(1) Definition of dot defect induced from the panel inside

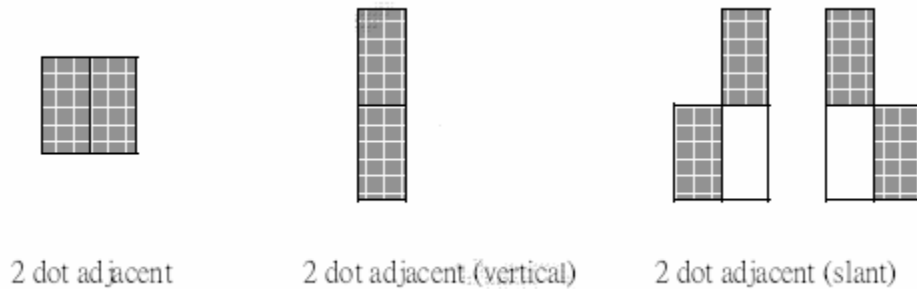
a) The definition of dot : The size of a defective dot over 1/2 of whole dot is regarded as one defective dot

b) Bright dot : Dots appear bright and unchanged in size in which LCD panel is displaying under black pattern.

c) Dark dot : Dots appear dark and unchanged in size in which LCD panel is displaying under pure red, green, blue pattern.

d) 2 dot adjacent = 1 pair = 2 dots

Picture :

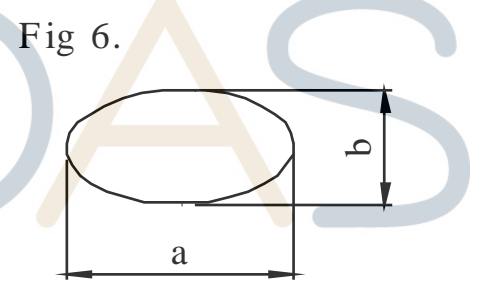
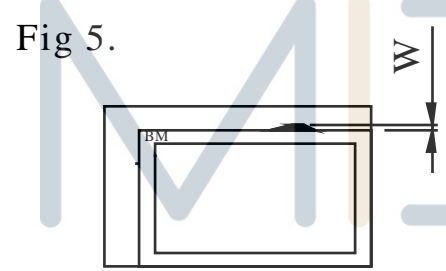
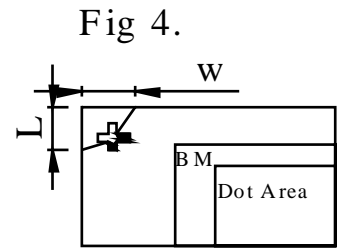
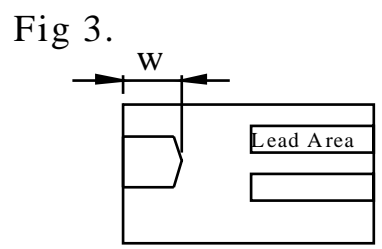
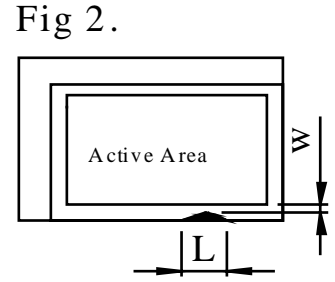
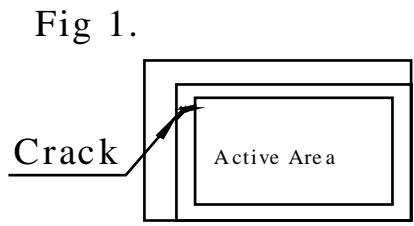


(2) Display Inspection

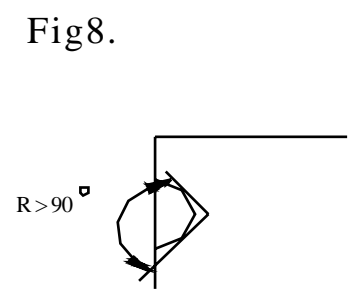
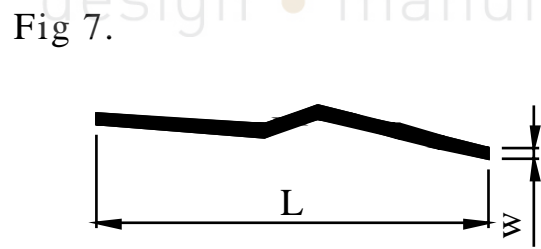
NO.	Item		Acceptable Count	
1	Dot defect	Bright Dot	Random	$N \leq 2$
			2 dots adjacent	$N \leq 0$
	Dark Dot	Random	$N \leq 3$	
		2 dots adjacent	$N \leq 1$	
	Total bright and dark dot		$N \leq 4$	
Functional failure (V-line/ H-line/Cross line etc.)		Not allowable		
	Mura	It's OK if mura is slight visible through 6% ND filter. (Judged by limit sample if it is necessary)		
2	Newton ring (touch panel)	Orbicular of interference fringes is not allowed in the optimum contrast within the active area under viewing angle.		

(3) Appearance inspection

NO.	Item	Standards
1	Panel Crack	Not allow. It is shown in Fig.1.
2	Broken CF Non -lead Side of TFT	The broken in the area of $W > 2\text{mm}$ is ignored, L is ignored. It is shown in Fig.2.
3	Broken Lead Side of TFT	FPC lead, electrical line or alignment mark can't be damaged. It is shown in Fig.3.
4	Broken Comer of TFT at Lead Side	FPC lead. electrical line or alignment mark can't be damaged. It is shown in Fig.4.
5	Burr of TFT / CF Edge	The distance of burr from the edge of TFT / CF, $W \leq 0.3\text{mm}$. It is shown in Fig.5.
6	Foreign Black / White/Bright Spot	(1) $0.15 < D \leq 0.5 \text{ mm}$, $N \leq 4$; (2) $D \leq 0.15\text{mm}$, Ignore. It is shown in Fig.6.
7	Foreign Black / White/Bright Line	(1) $0.05 < W \leq 0.1 \text{ mm}$, $0.3 < L \leq 2 \text{ mm}$, $N \leq 4$.
		(2) $W \leq 0.05\text{mm}$ and $L \leq 0.3\text{mm}$ Ignore. It is shown in Fig.7.
8	Color irregular	Not remarkable color irregular.



design • manufacture • supply $D=(a+b)/2$



- Notes
- 1.W:Width
 - 2.Length
 - 3.D:Average Diameter
 - 4.N:Count
 - 5.All the anhle of the broken must be larger than 90~.It is shown in Fig.8.(R>90~)

NOTICE:

• SAFETY

1. If the LCD panel breaks, be careful not to get the liquid crystal to touch your skin.
2. If the liquid crystal touches your skin or clothes, please wash it off immediately by using soap and water.

• HANDLING

1. Avoid static electricity which can damage the CMOS LSI.
2. Do not remove the panel or frame from the module.
3. The polarizing plate of the display is very fragile. So, please handle it very carefully.
4. Do not wipe the polarizing plate with a dry cloth, as it may easily scratch the surface of plate.
5. Do not use ketonics solvent & Aromatic solvent. Use a soft cloth soaked with a cleaning naphtha solvent.

• STORAGE

1. Store the panel or module in a dark place where the temperature is $25\pm 5^{\circ}\text{C}$ and the humidity is below 65% RH.
2. Do not place the module near organics solvents or corrosive gases.
3. Do not crush, shake, or jolt the module.

• TERMS OF WARRANT

1. Acceptance inspection period

The period is within one month after the arrival of contracted commodity at the buyer's factory site.

2. Applicable warrant period

The period is within twelve months since the date of shipping out under normal using and storage conditions.