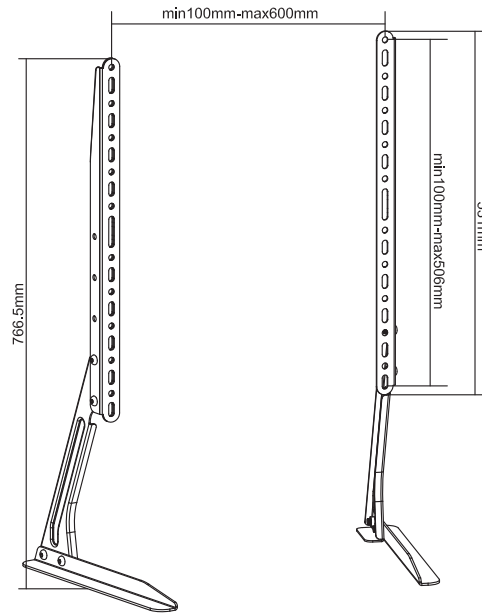


PRO-SIGNAL

Universal Replacement Television Stand



This completes the assembly steps for this stand.

It is the ultimate responsibility of the user to ensure the safe and secure installation of any television on this stand. There is no guarantee that every television, even if within the size and weight limits specified, will be secure in every situation.

Once the installation is complete, the user must make certain the television set is secure. Failure to do so could result in property damage, electrical or fire hazard and personal injury or death, should the television fall.

Things to remember:

Furniture including tables, dressers, entertainment stands and shelves must be tested to ensure stability.

Televisions should be installed out of reach of small children or pets that could potentially pull or knock a set from its location.

Connecting cables, including power cords, cables, antennae or satellite TV wires, cables from other components, indoor antennae and similar items should be secured and tucked out of the way to prevent them being snagged or tripped over.

Televisions should not be located in direct sunlight or in locations where they can come into contact with rain or moisture.

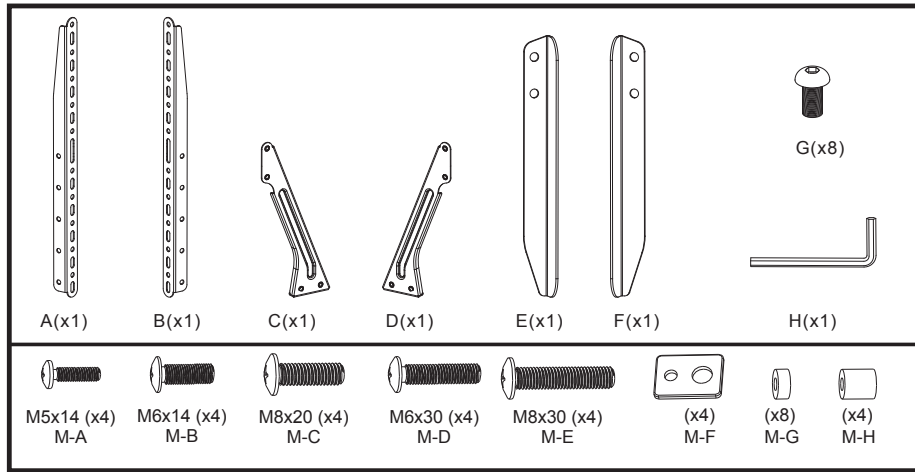
In the event that the user is not confident in the safety of this installation it is highly recommended that a qualified installation professional be contacted.



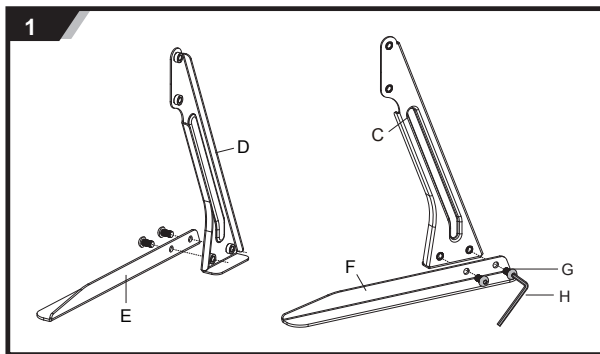
Assembly / User Manual

This universal replacement television base is intended for use with televisions with a 60" diagonal screen measurement or less, and weighing less than 50 pounds. Please note that televisions differ greatly in size and weight distribution, and no two installation circumstances are the same. It is the user's responsibility to ensure the suitability of this product for each individual situation.

Please read this document completely prior to use.

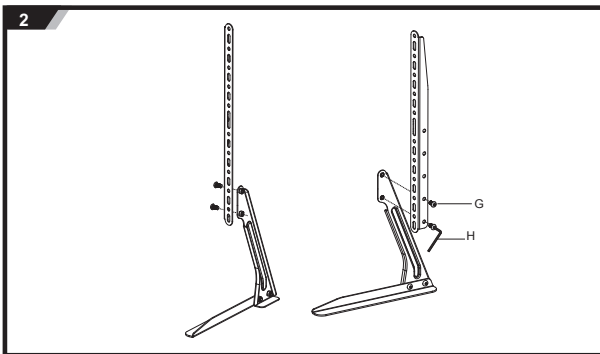


Identify and verify all of the included hardware



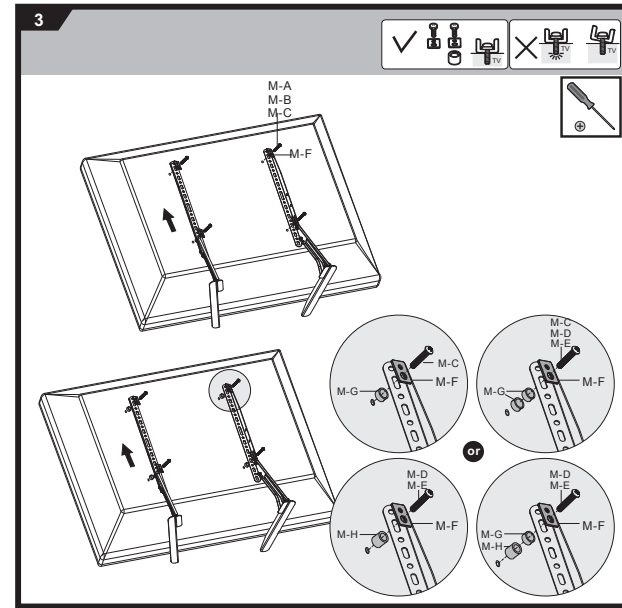
Step One:

Attach part (F) to (C) using the screws provided (G) for the right stand leg. Attach part (E) to (D) using the screws provided (G) for the left stand leg. Tighten the screws using the Allen key (H).



Step Two:

Attach the completed left leg of the stand to bracket (B) using the screws provided (G). Then attach the completed right leg of the stand to bracket (A) using the screws provided. Tighten the screws using the Allen key (H).



Step Three:

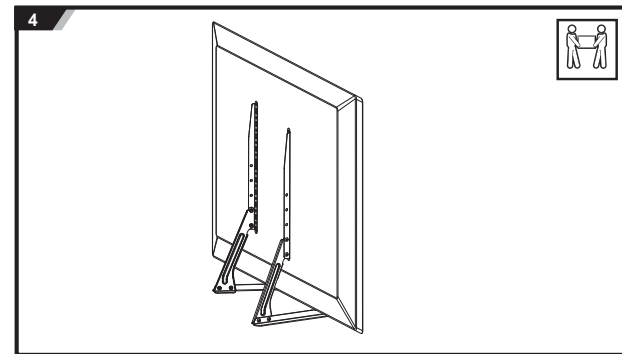
With care, lay the TV face down on a flat surface with a towel or blanket covering the screen, in order to keep it protected.

Carefully identify the screws that match the fixing thread on the rear of the TV.

WARNING: Ensure the appropriate screw size (M-A, M-B, M-C or M-D) for the TV is selected prior to screwing the stand to the rear of the TV.

Do not screw too far into the TV as it may damage components.

Attach the TV stand to the back of the TV using the appropriate screw size and spacer if needed. Be sure that the screw is tightened securely.



Step Four:

Place the TV so that it is in an upright position and check its stability prior to moving it to its permanent location.