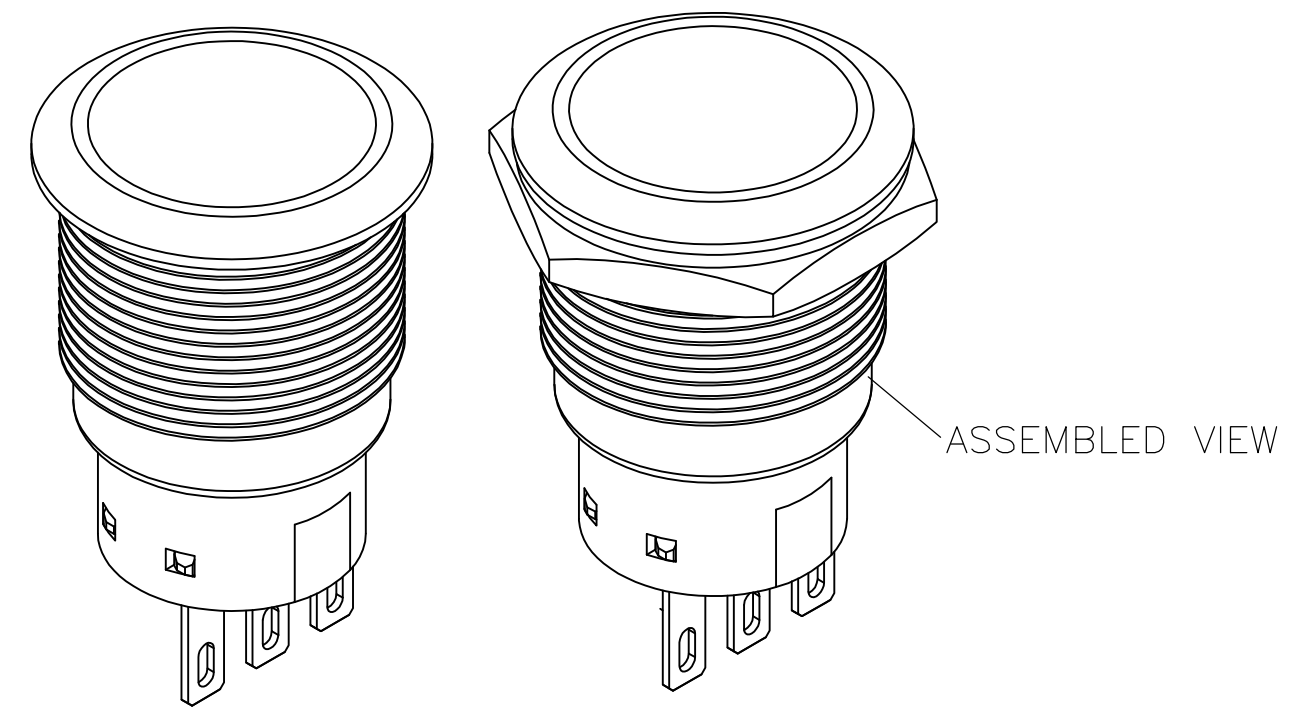
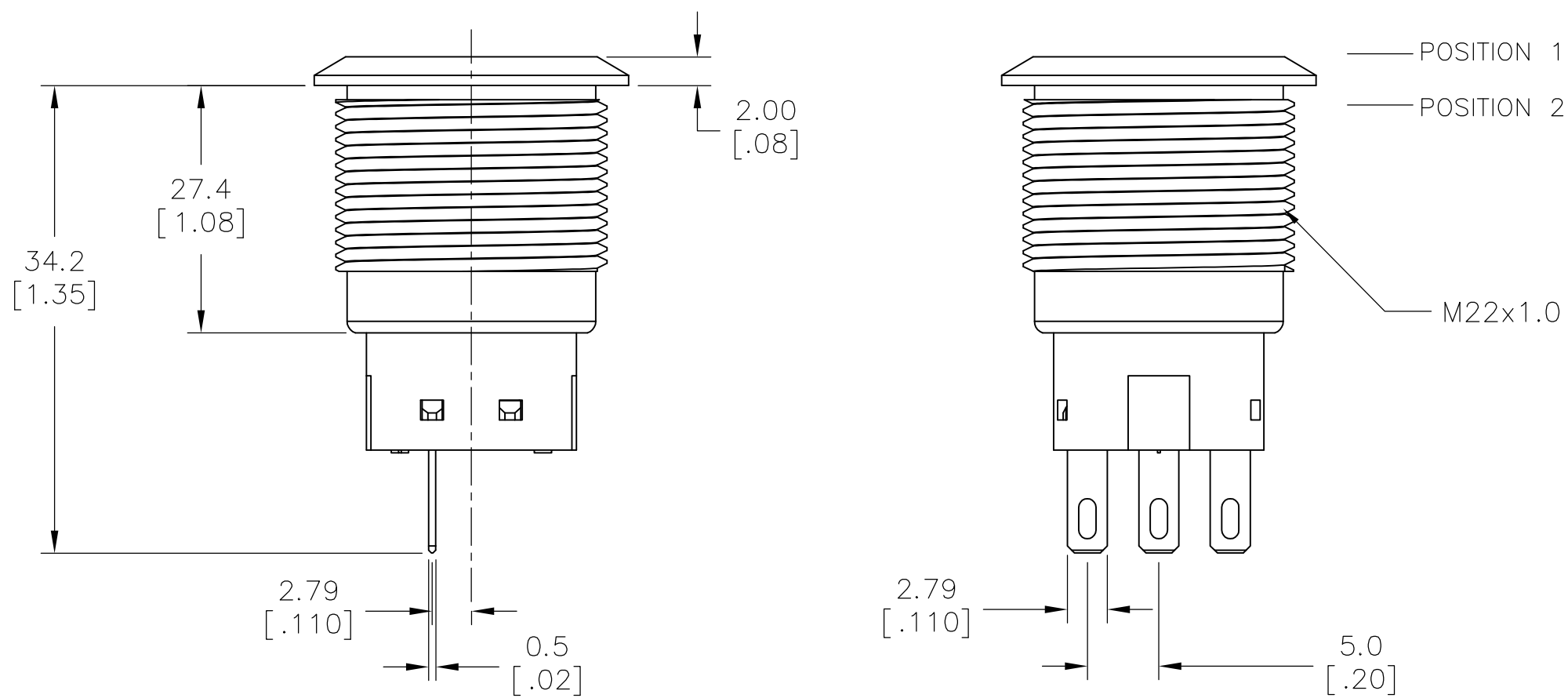
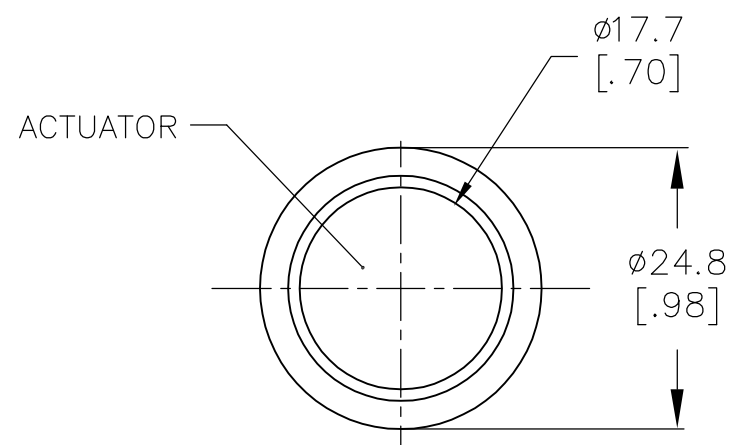
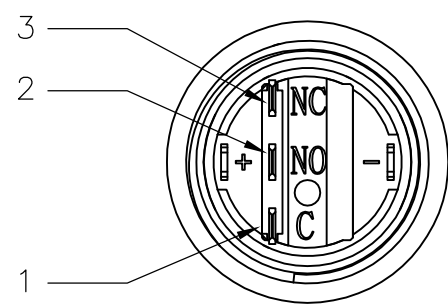
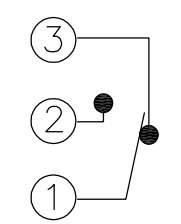


THIS DRAWING IS UNPUBLISHED. RELEASED FOR PUBLICATION
 © COPYRIGHT - By - ALL RIGHTS RESERVED.

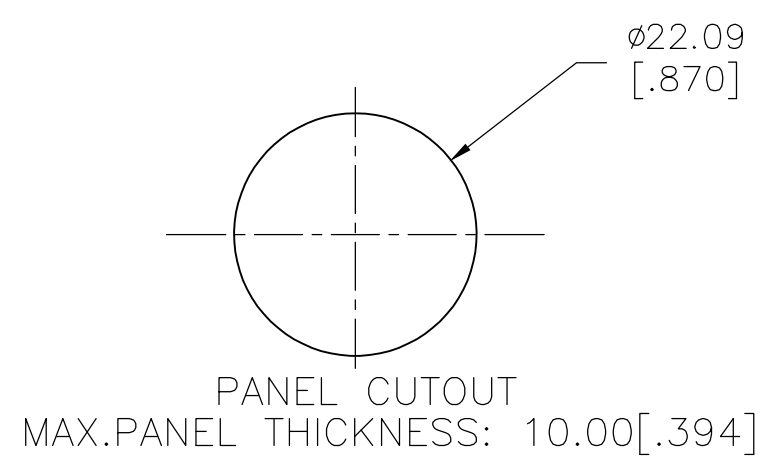
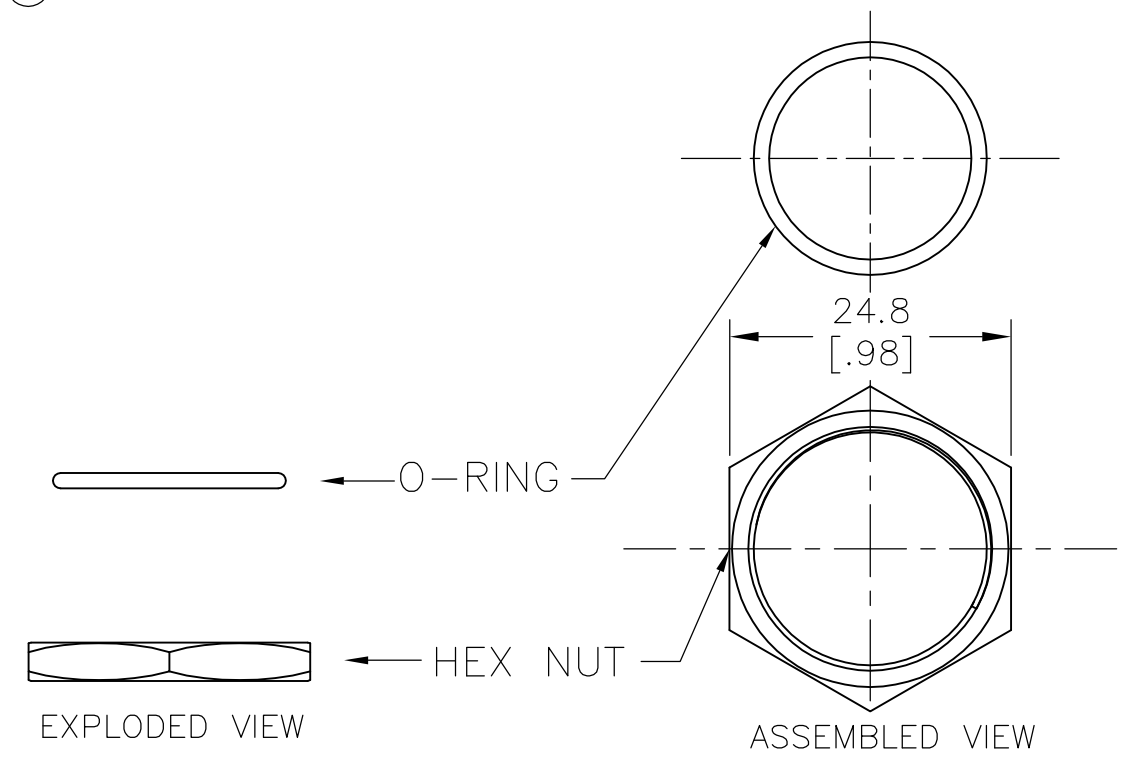
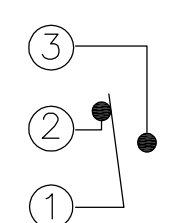
REVISIONS					
P	LTR	DESCRIPTION	DATE	DWN	APVD
A		NEW DRAWING	09FEB2016	NK	RH



POSITION 1



POSITION 2



SPECIFICATIONS

CONTACT RATING: SILVER: 3A @ 250 VAC RESISTIVE
 GOLD: 0.4VA @ 20VDC OR PEAK AC
 INSULATION RESISTANCE: 1,000MΩ MIN AT 500VDC
 DIELECTRIC STRENGTH: 2,000V RMS @ SEA LEVEL
 CONTACT RESISTANCE: 50 mΩ MAX @ 1A 12VDC (INITIAL VALUE)
 ELECTRICAL LIFECYCLES: 50,000 MAKE AND BREAK CYCLES AT FULL LOAD

ACTUATION FORCE: SP: 2.5±1 NEWTON, DP: 3.5±1 NEWTON
 ACTUATION TRAVEL: 3.2mm
 SEALED PER IP67, IK10 (STAINLESS)
 OPERATING TEMPERATURE: -20°C TO +55°C
 MECHANICAL LIFECYCLES: MOMENTARY: 1,000,000 CYCLES
 LOCKING: 500,000 CYCLES
 HARDWARE TORQUE: 5-14 N-m

MATERIALS

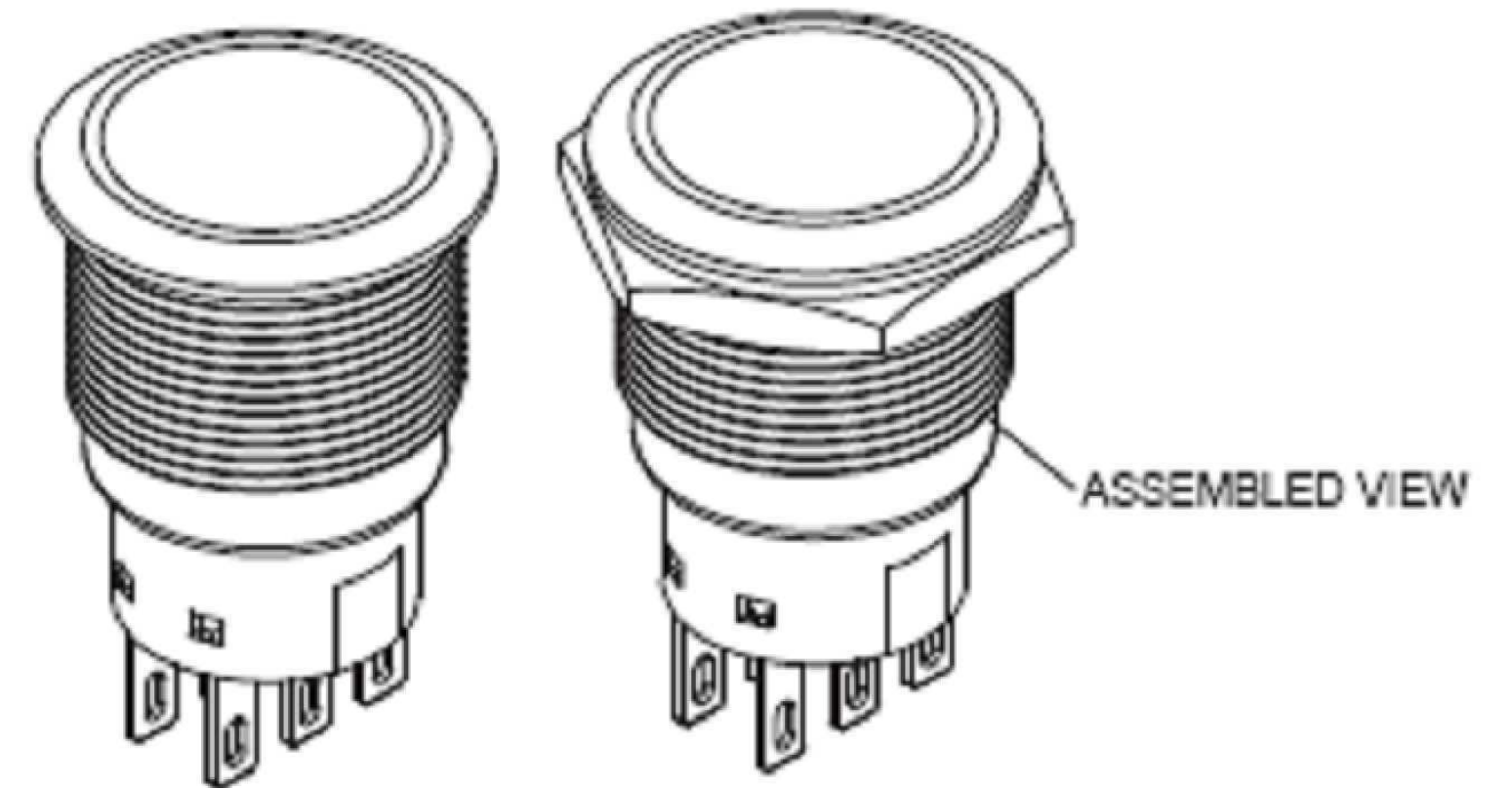
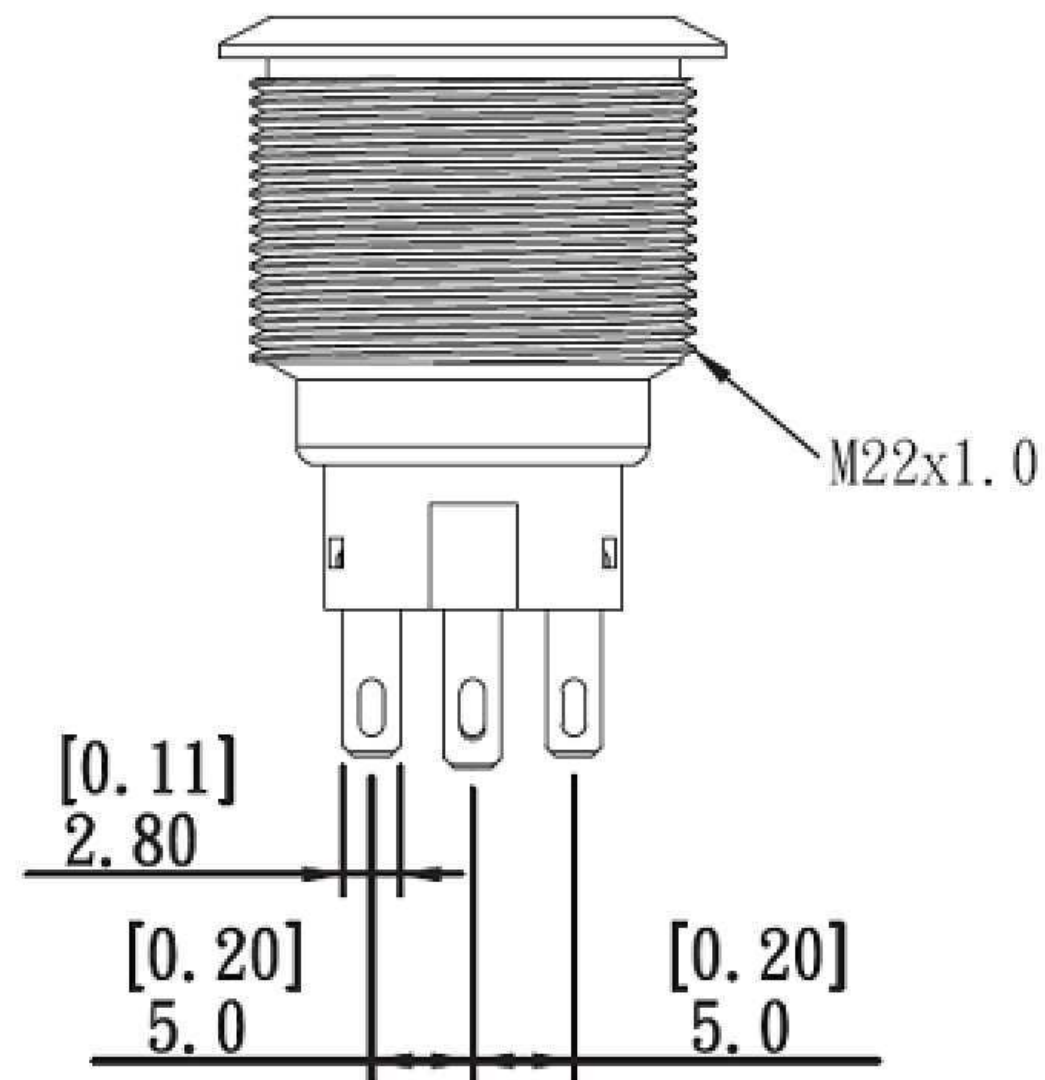
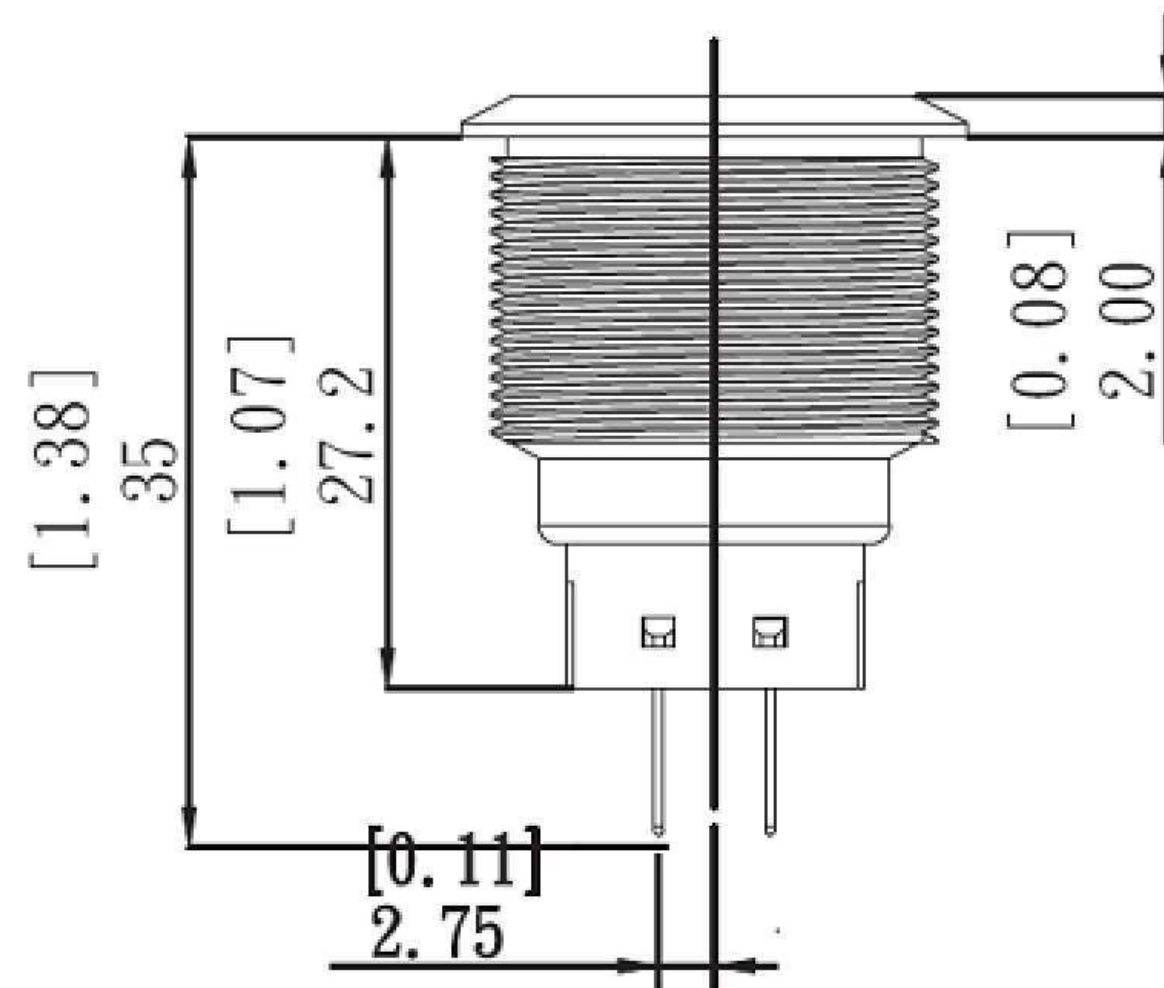
BUSHING: STAINLESS STEEL
 BASE: PBT (UL 94-V0), PC (UL 94-V2)
 ACTUATOR: STAINLESS STEEL, PC
 SEALING: O-RING (SILICONE)
 TERMINAL/CONTACT: COPPER BASE, SILVER/GOLD PLATED
 HEX NUT: BRASS BASE, NICKEL PLATED

1 ALL MATERIAL AND FINISHES SHALL COMPLY WITH EU DIRECTIVE 2002/95/EC OF 27JAN2003 (ROHS)

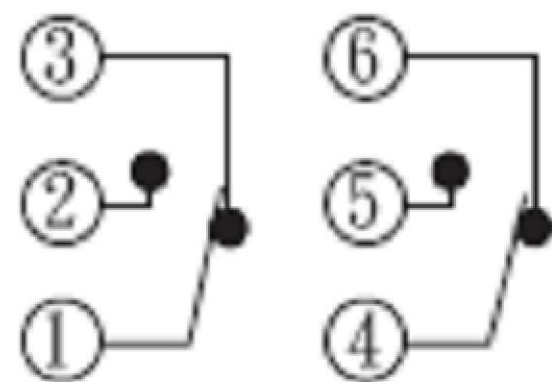
THIS DRAWING IS A CONTROLLED DOCUMENT.		DWN 09FEB2016 NAGALAKSHMI K		
DIMENSIONS: mm [INCHES]		CHK 09FEB2016 HILL RYAN		
TOLERANCES UNLESS OTHERWISE SPECIFIED:		APVD 09FEB2016 HILL RYAN	NAME	
0 PLC ± -	1 PLC ± -	PRODUCT SPEC	ANTI-VANDAL SWITCH 22mm NO LED	
2 PLC ± -	3 PLC ± -	APPLICATION SPEC	SIZE	CAGE CODE
4 PLC ± -	ANGLES ± -		A2	00779
MATERIAL	FINISH	WEIGHT	DRAWING NO	RESTRICTED TO
-	-	-	C=2213771	-
CUSTOMER DRAWING			SCALE 8:1	SHEET 1 OF 3
			REV A	

THIS DRAWING IS UNPUBLISHED. RELEASED FOR PUBLICATION
 © COPYRIGHT - By - ALL RIGHTS RESERVED.

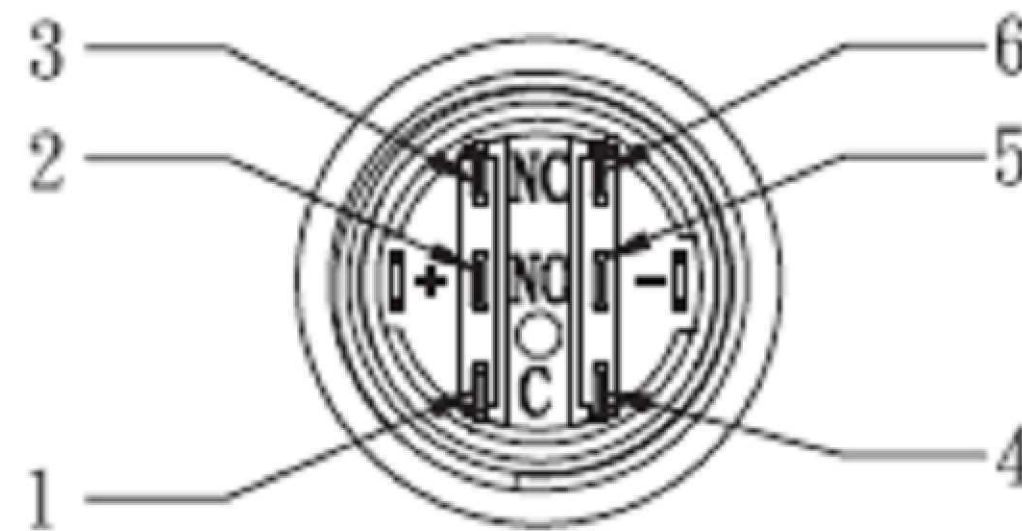
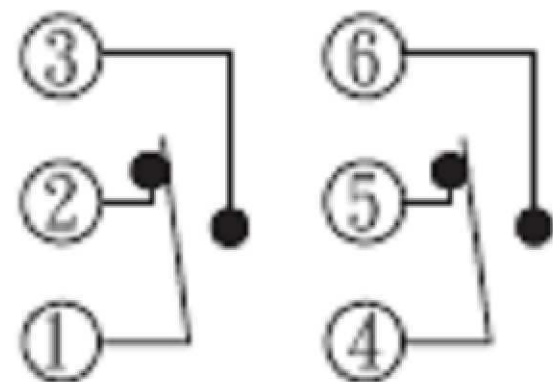
REVISIONS				
P	LTR	DESCRIPTION	DATE	APVD
-	-	SEE SHEET 1	-	-



POSITION 1



POSITION 2


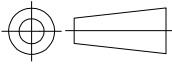


THIS DRAWING IS A CONTROLLED DOCUMENT.		DWN NAGALAKSHMI K 09FEB2016	TE Connectivity																						
DIMENSIONS: mm [INCHES]		CHK HILL RYAN 09FEB2016																							
TOLERANCES UNLESS OTHERWISE SPECIFIED:		APVD HILL RYAN 09FEB2016	NAME ANTI-VANDAL SWITCH 22mm NO LED																						
<table border="1"> <tr><td>0 PLC</td><td>±</td><td>-</td></tr> <tr><td>1 PLC</td><td>±</td><td>-</td></tr> <tr><td>2 PLC</td><td>±</td><td>-</td></tr> <tr><td>3 PLC</td><td>±</td><td>-</td></tr> <tr><td>4 PLC</td><td>±</td><td>-</td></tr> <tr><td>ANGLES</td><td>±</td><td>-</td></tr> <tr><td>FINISH</td><td>-</td><td>-</td></tr> </table>		0 PLC	±	-	1 PLC	±	-	2 PLC	±	-	3 PLC	±	-	4 PLC	±	-	ANGLES	±	-	FINISH	-	-	PRODUCT SPEC -	SIZE A2	CAGE CODE 00779
0 PLC	±	-																							
1 PLC	±	-																							
2 PLC	±	-																							
3 PLC	±	-																							
4 PLC	±	-																							
ANGLES	±	-																							
FINISH	-	-																							
MATERIAL -		WEIGHT -	DRAWING NO C=2213771	RESTRICTED TO -																					
CUSTOMER DRAWING			SCALE NTS	SHEET 2 of 3																					
			REV A																						

THIS DRAWING IS UNPUBLISHED. RELEASED FOR PUBLICATION
 © COPYRIGHT - SEE SHEET 1 ALL RIGHTS RESERVED.

REVISIONS					
P	LTR	DESCRIPTION	DATE	DWN	APVD
-	-	SEE SHEET 1	-	-	-

DOUBLE POLE -LOCKING	GOLD	-	-	AV2221000R04	2213771-8
	SILVER	-	-	AV2221000Q04	2213771-7
DOUBLE POLE- MOMENTARY	GOLD	-	-	AV2220000R04	2213771-6
	SILVER	-	-	AV2220000Q04	2213771-5
SINGLE POLE- LOCKING	GOLD	-	-	AV2211000R04	2213771-4
	SILVER	-	-	AV2211000Q04	2213771-3
SINGLE POLE- MOMENTARY	GOLD	-	-	AV2210000R04	2213771-2
	SILVER	-	-	AV2210000Q04	2213771-1
POLE/THROW	CONTACT	LED COLOUR	LED VOLTAGE	TE DESCRIPTIVE PN	TE PART NUMBER

THIS DRAWING IS A CONTROLLED DOCUMENT.		DWN 09FEB2016 NAGALAKSHMI K	 TE Connectivity		
		CHK 09FEB2016 HILL RYAN			
		APVD 09FEB2016 HILL RYAN	NAME		
DIMENSIONS: mm [INCHES]		TOLERANCES UNLESS OTHERWISE SPECIFIED:	PRODUCT SPEC		
		0 PLC ± -	APPLICATION SPEC		
		1 PLC ± -	-		
		2 PLC ± -	-		
		3 PLC ± -	-		
		4 PLC ± -	WEIGHT		
		ANGLES ± -	-		
MATERIAL		FINISH	SIZE CAGE CODE DRAWING NO		RESTRICTED TO
-		-	A2 00779 C=2213771		-
CUSTOMER DRAWING			SCALE NTS	SHEET 3 of 3	REV A