

AF40 ... AF96 3-pole contactors

30 to 60 hp at 480 V AC

AC / DC operated with 1 N.O. + 1 N.C. auxiliary contacts

2



AF40-30-11



AF80-30-11

Description

AF40 ... AF96 contactors are mainly used for controlling 3-phase motors and power circuits up to 690 V AC and 220 V DC. These contactors are of the block type design with 3 main poles.

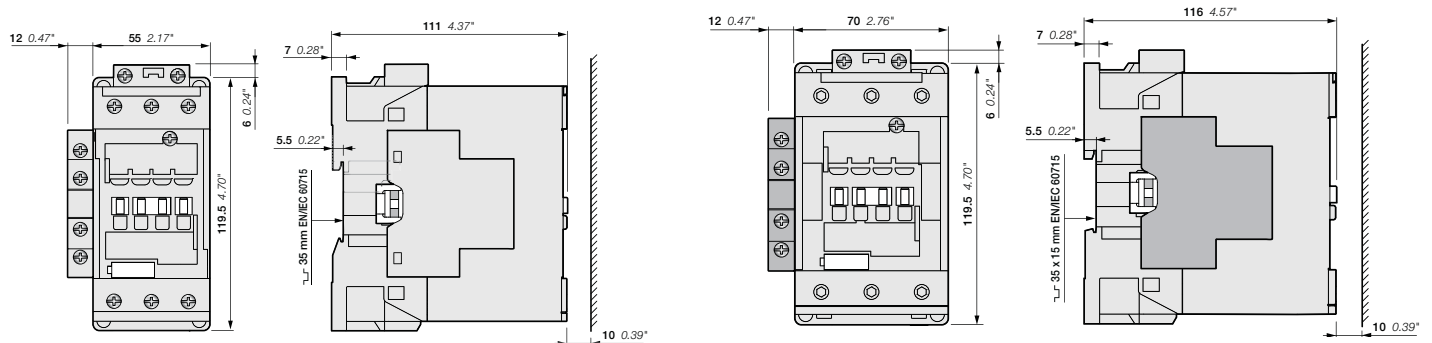
- control circuit: AC or DC operated with electronic coil interface accepting a wide control voltage range (e.g. 100...250 V AC and DC), only 4 control voltage ranges covering 24...500 V 50/60 Hz and 20...500 V DC
- can manage large control voltage variations
- reduced panel energy consumption
- very distinct closing and opening.
- built-in surge suppression
- add-on auxiliary contact blocks for front or side mounting and a wide range of accessories.

Ordering details

IEC		UL / CSA		Rated control circuit voltage		Auxiliary contacts fitted	Catalog number	Global reference code	Weight Pkg (1 pce)
Rated operational power	current $\theta \leq 40^\circ\text{C}$	3-phase motor rating	General use rating	Uc min. ... Uc max.					
400 V AC-3	AC-1	hp	A	V 50/60 Hz	V DC				kg
18.5	70	30	60	24...60	-	1 1	AF40-30-11-41	1SBL347001R4111	1.010
				24...60	20...60 (1)	1 1	AF40-30-11-11	1SBL347001R1111	1.010
				48...130	48...130	1 1	AF40-30-11-12	1SBL347001R1211	1.010
				100...250	100...250	1 1	AF40-30-11-13	1SBL347001R1311	1.000
22	100	40	80	24...60	-	1 1	AF52-30-11-41	1SBL367001R4111	1.010
				24...60	20...60 (1)	1 1	AF52-30-11-11	1SBL367001R1111	1.010
				48...130	48...130	1 1	AF52-30-11-12	1SBL367001R1211	1.010
				100...250	100...250	1 1	AF52-30-11-13	1SBL367001R1311	1.000
30	105	50	90	24...60	-	1 1	AF65-30-11-41	1SBL387001R4111	1.010
				24...60	20...60 (1)	1 1	AF65-30-11-11	1SBL387001R1111	1.010
				48...130	48...130	1 1	AF65-30-11-12	1SBL387001R1211	1.010
				100...250	100...250	1 1	AF65-30-11-13	1SBL387001R1311	1.000
37	125	60	105	24...60	-	1 1	AF80-30-11-41	1SBL397001R4111	1.260
				24...60	20...60 (1)	1 1	AF80-30-11-11	1SBL397001R1111	1.260
				48...130	48...130	1 1	AF80-30-11-12	1SBL397001R1211	1.260
				100...250	100...250	1 1	AF80-30-11-13	1SBL397001R1311	1.210
45	130	60	115	24...60	-	1 1	AF96-30-11-41	1SBL407001R4111	1.260
				24...60	20...60 (1)	1 1	AF96-30-11-11	1SBL407001R1111	1.260
				48...130	48...130	1 1	AF96-30-11-12	1SBL407001R1211	1.260
				100...250	100...250	1 1	AF96-30-11-13	1SBL407001R1311	1.210
				250...500	250...500	1 1	AF96-30-11-14	1SBL407001R1411	1.210

(1) AF.-30-...-11 not suitable for direct control by PLC-output.

Main dimensions mm, inches



AF40, AF52, AF65

AF80, AF96