

**PLEASE CHECK WWW.MOLEX.COM FOR LATEST PART INFORMATION**

**Part Number:** **0502128100**  
**Status:** **Active**  
**Description:** 2.00mm Pitch Crimp Terminal, Female, 24-30 AWG, Bag

**Documents:**

<a href="#">3D Model</a>	<a href="#">Product Specification PS-51090-018 (PDF)</a>
<a href="#">Drawing (PDF)</a>	<a href="#">Product Specification PS-51160-001 (PDF)</a>
<a href="#">Product Specification PS-51065-005 (PDF)</a>	<a href="#">Product Specification PS-51160-006 (PDF)</a>
<a href="#">Product Specification PS-51065-016 (PDF)</a>	<a href="#">Product Specification PS-51225-003 (PDF)</a>
<a href="#">Product Specification PS-51065-017 (PDF)</a>	<a href="#">Product Specification PS-52968-006 (PDF)</a>
<a href="#">Product Specification PS-51065-018 (PDF)</a>	<a href="#">Product Specification PS-52968-007 (PDF)</a>
<a href="#">Product Specification PS-51089-001 (PDF)</a>	<a href="#">Product Specification PS-53717-002 (PDF)</a>
<a href="#">Product Specification PS-51089-005 (PDF)</a>	<a href="#">Product Specification PS-54111-002 (PDF)</a>
<a href="#">Product Specification PS-51090-003 (PDF)</a>	<a href="#">Product Specification PS-54214-001 (PDF)</a>
<a href="#">Product Specification PS-51090-004 (PDF)</a>	<a href="#">Product Specification PS-54452-007 (PDF)</a>
<a href="#">Product Specification PS-51090-005 (PDF)</a>	<a href="#">Product Specification PS-55533-004 (PDF)</a>
<a href="#">Product Specification PS-51090-009 (PDF)</a>	<a href="#">Packaging Specification SPK-50212-001 (PDF)</a>
<a href="#">Product Specification PS-51090-016 (PDF)</a>	<a href="#">RoHS Certificate of Compliance (PDF)</a>
<a href="#">Product Specification PS-51090-017 (PDF)</a>	

**General**

Product Family	Crimp Terminals
Series	50212
Application	Signal
Crimp Quality Equipment	Yes
MolexKits	Yes
Packaging Alternative	50212-8000 (Reel)
Product Name	DuraClik™, Mi II™, Micro-Latch™, Sherlock™
UPC	800754369473

**Physical**

Gender	Female
Material - Metal	Phosphor Bronze
Material - Plating Mating	Tin
Material - Plating Termination	Tin
Net Weight	20.400/mg
Packaging Type	Bag
Termination Interface: Style	Crimp or Compression
Wire Insulation Diameter	1.40mm max.
Wire Size AWG	24, 26, 28, 30
Wire Size mm <sup>2</sup>	N/A

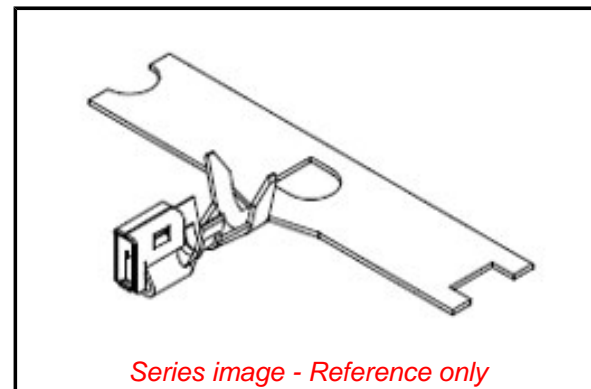
**Electrical**

Current - Maximum per Contact	2.0A
Voltage - Maximum	125V

**Material Info**

**Reference - Drawing Numbers**

Crimp Specification	CS-50212
Packaging Specification	SPK-50212-001
Product Specification	PS-51065-005, PS-51065-016, PS-51065-017, PS-51065-018, PS-51089-001, PS-51089-005, PS-51090-003, PS-51090-004, PS-51090-005, PS-51090-009, PS-51090-016, PS-51090-017, PS-51090-018, PS-51160-001, PS-51160-006, PS-51225-003, PS-52968-006, PS-52968-007, PS-53717-002, PS-54111-002, PS-54214-001,



**EU ELV**

**Not Relevant**

**EU RoHS**

**Compliant**

**China RoHS**

**REACH SVHC**

Not Contained Per  
-ED/79/2015 (17  
December 2015)

**Halogen-Free**

**Status**

**Low-Halogen**

**Need more information on product environmental compliance?**

Email [productcompliance@molex.com](mailto:productcompliance@molex.com)  
Please visit the [Contact Us](#) section for any non-product compliance questions.

China ROHS  
ELV

Green Image  
Not Relevant

**Search Parts in this Series**

50212 Series

**Use With**

DuraClik™ Receptacle Housing [502351](#)  
<br>Micro-Latch™ Receptacle Housing  
[51065](#) <br>Mi II™ Receptacle Housings  
[51089](#) , [51090](#)

**Application Tooling | FAQ**

*Tooling specifications and manuals are found by selecting the products below. Crimp Height Specifications are then contained in the Application Tooling Specification document.*

**Global**

Description	Product #
Extraction Tool	<a href="#">0011030043</a>
Hand Crimp Tool for 2.00mm Pitch	<a href="#">0638190500</a>

PS-54452-007, PS-55533-004, RPS-35507-003,  
RPS-51065-001, RPS-51065-002, RPS-51065-006,  
RPS-51065-007, RPS-51065-010, RPS-51065-011,  
RPS-51065-012, RPS-51065-013, RPS-51065-014,  
RPS-51065-015, RPS-51065-017, RPS-51065-018,  
RPS-51065-019, RPS-51065-021, RPS-51065-022,  
RPS-51065-023, RPS-51065-025, RPS-51065-026,  
RPS-51065-027, RPS-51065-028, RPS-51065-030,  
RPS-51065-031, RPS-51065-032, RPS-51065-033,  
RPS-51065-034, RPS-51089-002, RPS-51089-004,  
RPS-51089-005, RPS-51090-002, RPS-51090-005,  
RPS-51090-006, RPS-51090-008, RPS-51090-009,  
RPS-51090-010, RPS-51090-012, RPS-51090-013,  
RPS-51090-014, RPS-51090-015, RPS-51090-017,  
RPS-51090-018, RPS-51090-021, RPS-51090-022,  
RPS-51090-026, RPS-51160-003, RPS-51160-005,  
RPS-51339-004, RPS-51339-007, RPS-52484-002,  
RPS-52968-005, RPS-52968-012, RPS-52968-013,  
RPS-52969-004, RPS-52969-006, RPS-53324-001,  
RPS-53358-001, RPS-54111-004, RPS-54111-005,  
RPS-54269-004, RPS-55460-011, RPS-87369-001  
SD-50212-001

Sales Drawing

Terminal, 24-30  
AWG

**Japan**

**Description**

**Product #**

Extraction Tool 0571056000

Hand Crimp Tool 0571765000

This document was generated on 03/31/2016

**PLEASE CHECK [WWW.MOLEX.COM](http://WWW.MOLEX.COM) FOR LATEST PART INFORMATION**