

PLEASE CHECK WWW.MOLEX.COM FOR LATEST PART INFORMATION

Part Number: [0015040292](#)
Status: **Active**
Description: Universal Polarizing Key, Black

Documents:

[3D Model](#) [RoHS Certificate of Compliance \(PDF\)](#)
[Drawing \(PDF\)](#)

General

Product Family	Accessories
Series	40713
Comments	Delivered on a Carrier With 20 Parts per Strip
Component Type	Polarizing Key
MolexKits	Yes
Product Name	MX-50™
UPC	800753605428

Physical

Circuits (Loaded)	1
Lock to Mating Part	No
Net Weight	0.001/g
Packaging Type	Bag

Solder Process Data

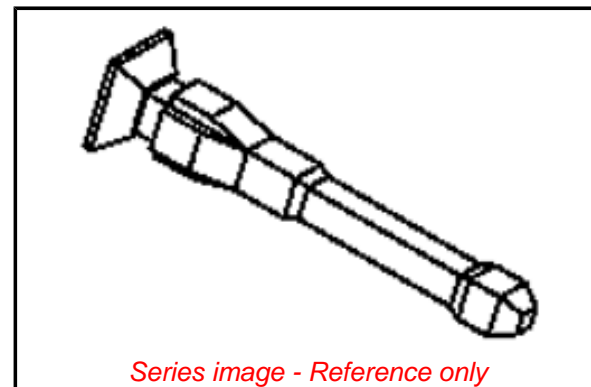
Lead-freeProcess Capability	N/A
-----------------------------	-----

Material Info

Old Part Number	40713-01
-----------------	----------

Reference - Drawing Numbers

Sales Drawing	SD-40713-**
---------------	-------------



EU ELV

Not Relevant

EU RoHS

Compliant

REACH SVHC

Not Contained Per
-ED/79/2015 (17
December 2015)

Halogen-Free

Status

Not Low-Halogen

**Need more information on product
environmental compliance?**

Email productcompliance@molex.com
Please visit the [Contact Us](#) section for any
non-product compliance questions.

China ROHS
ELV

Green Image
Not Relevant

Search Parts in this Series

[40713 Series](#)

Use With

[70066 SL™](#) Crimp Housing. [70450 SL™](#)
Crimp Housing. [70400 C-Grid SL™](#) IDT
Connector Assembly. [70430 C-Grid SL™](#) .
[71850 C-Grid®](#) Receptacle. [71395 C-Grid®](#)
PCB Connector, [90142 C-Grid III™](#) Crimp
Housing