

## Features and Benefits

The Angled MOD-SNAP III module is ideal for floor box applications. The product is a fully assembled unit featuring the shuttered DataGate™ connector in a 37.5 x 22mm fascia (BT6C size). The angled design reduces patch cord bend radius particularly in shallow floor box installations. The Angled MOD-SNAP III Module can also be used in the MOD-SNAP range of wall plates.

The MOD-SNAP III module features the DataGate Category 6 connector. This superior RJ45 IDC includes a unique integral shutter that not only protects the connector from dust and contaminants, but the ingenious spring-loaded design also ejects improperly seated patch cords. The DataGate Plus connector is dual colour coded for either 568A or 568B wiring schedules and is RJ11 compatible.

Suitable for high-speed data transmission, the DataGate Category 6 connector has been designed to exceed the highest electrical performance standards in the industry and has been independently tested and verified by ETL SEMKO for Category 6 component compliance. The DataGate connector is also backwards compatible with C5E systems.

- 37.5 x 22mm fascia
- Shuttered RJ45 DataGate connector
- Protected labelling facility
- Floor box and wall plate compatible
- Angled fascia

## Commerical Standards

TIA/EIA-568-B.2-1, FCC Subpart F 68.5, ISO 60603-7, ISO 11801:2002, EN 50173:2002

## Pending Approvals

UL-1863 (Pending)  
CSA (Pending)  
ETL Verified for Category 6 Component Compliance

## Technical Information

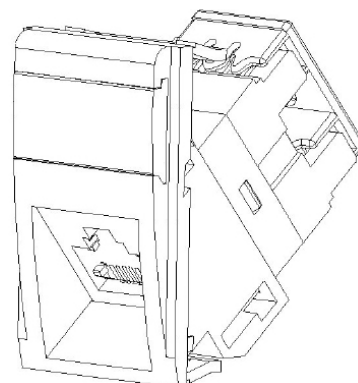
### Mechanical Characteristics

**Jack Connector**  
Plastic Housing: Polycarbonate, UL94V-0 rated or equivalent  
Operating Life: Minimum 750 insertion cycles  
Contact Material: Copper Alloy  
Contact Plating: 1.27 micrometres Au/Ni  
Contact Force: 100g minimum  
Plug Retention Force: 6.8kg.

**IDC Connector**  
Plastic Housing: Polycarbonate, UL94V-0 rated or equivalent  
Operating Life: Minimum 20 reterminations  
Contact Material: Copper Alloy  
IDC Contact Plating: Tin/Lead Plate  
Contact Force: 100g minimum  
Wire Accommodation: 22-24 AWG solid

### Electrical/Optical Characteristics

Interface Resistance: 20mΩ  
Initial Contact Resistance: 2.5mΩ  
Insulation Resistance: >100 MΩ  
  
Minimum Backbox Depth Requirement: 25mm  
Termination Tool: 110  
Shipping Weight: 312g (Pk of 20)



## ORDERING INFORMATION

Order No.	SAP No.	Description
MMS-00013-02	Consult Molex	PowerCat 6 Angled MOD-SNAP III Module RJ45 568A/B UTP - White
MMS-00014-02	Consult Molex	MOD-SNAP III Module Blank



## MOLEX PREMISE NETWORKS

**Americas**  
Tel: 630 969 4550  
www.molexpn.com

**EMEA**  
Tel: 44 (0)2392 205800  
www.molexpn.co.uk

**APAC**  
Tel: 61 3 9971 7111  
www.molexpn.com.au