

GP Batteries

Data Sheet

Rechargeable Nickel Metal Hydride Battery

Model: GP180AAH

Revision History

Revision	Date	Initiator	Change Description
00	2014-5-24	Jackie Yu	1. New Form 2. Replace the 'PMS2045 R1'

Prepared by	Checked by	Approver
RD Engineer	RD Manager	SM
XM Hu	Jackie Yu	Vivian Fong
Date: 2014-5-24	Date: 2014-5-24	Date:2014-5-24

GPI International Limited

Gold Peak Building, 8/F, 30 Kwai Wing Road,
Kwai Chung, New Territories, Hong Kong.

Tel: (852) 2484 3333 Fax: (852) 24805912

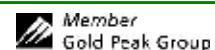
Email: gpii@goldpeak.com

Website: <http://www.gpbatteries.com>

www.gpbatteries.com

Manufacturer reserves the right to alter or amend the design, model and specification without prior notice.
Copyright©GPI International Ltd. – All rights reserved

MRS6219 rev.00

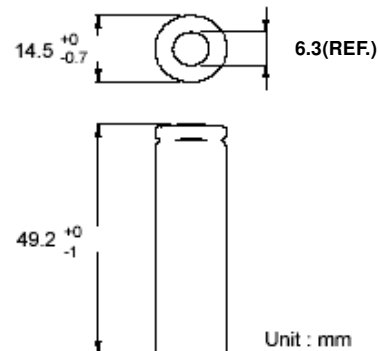


GP Batteries

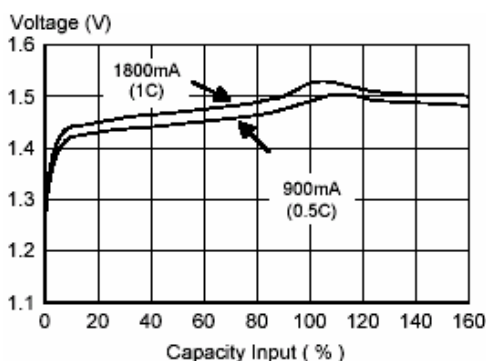
DATA SHEET

Type	: Rechargeable Nickel Metal Hydride Cylindrical Cell
Nominal Dimension (with Sleeve)	: $\Phi = 14.5\text{mm}$ H = 49.2mm
Applications	: Recommended discharge current 180 to 5400mA
Nominal Voltage	: 1.2V
Capacity	: Nominal: 1800mAh Minimum: 1800mAh Typical: 1850mAh When discharged at 360mA to 1.0V at 20°C
Charging Condition	: 180mA for 16 hrs at 20°C
Fast Charge	: 900mA to 1800mA (0.5 to 1C) charge termination control recommended control parameters: - ΔV : 0-5mV DT/dt : 0.8°C/min (0.5 to 0.9C) 0.8 - 1°C/min (1C) TCO : 45 - 50°C Timer : 105% nominal input (for ref. only)
Service Life	: >500 cycles (IEC standard)
Continuous Overcharge	: 180mA maximum current for 1 year. No conspicuous deformation and/or leakage
Weight	: 28.0g
Internal Resistance	: Average 25m Ω upon fully charged (Max. 35m Ω) at 1000Hz
Max. Charging Voltage	: 1.5V at 180mA charging
Ambient Temperature Range	: Standard Charge : 0 to 45°C Fast Charging : 10 to 45°C Discharge : -20 to 50°C Storage : -20 to 35°C

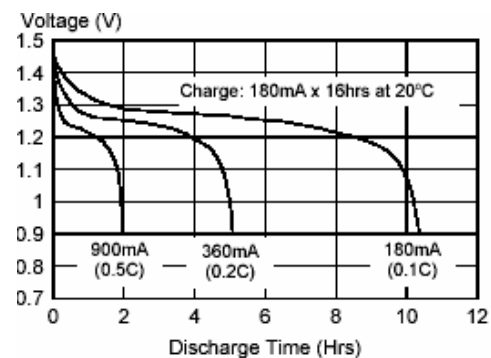
Model No.: **GP180AAH**



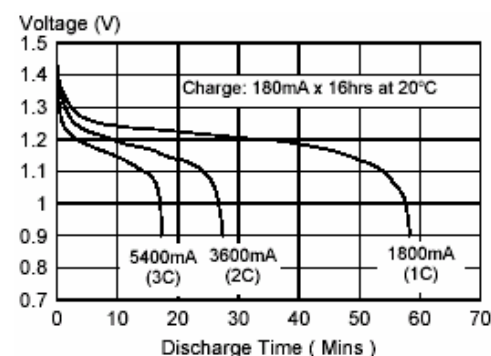
Fast Charge (Charge Control Required)



Low Rate Discharge



High Rate Discharge




The information (subject to change without prior notice) contained in this document is for reference only and should not be used as a basis for product guarantee or warranty. For applications other than those described here, please consult your nearest GP Sales and Marketing Office or Distributors.

www.gpbatteries.com

MRS6219 rev.00

Manufacturer reserves the right to alter or amend the design, model and specification without prior notice.
Copyright@GPI International Ltd. - All rights reserved

 Member
Gold Peak Group