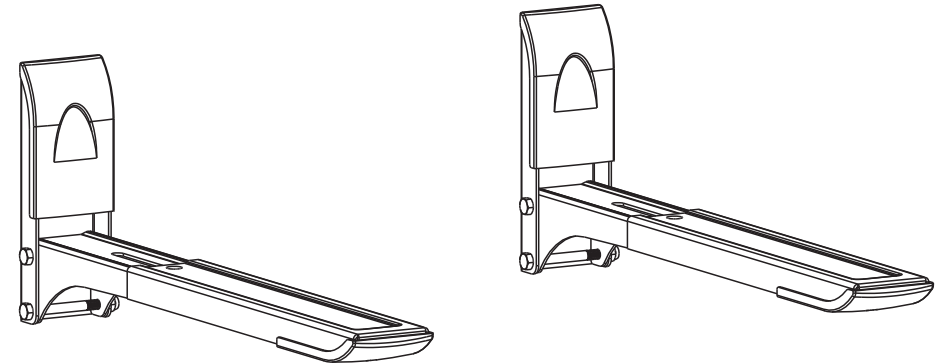
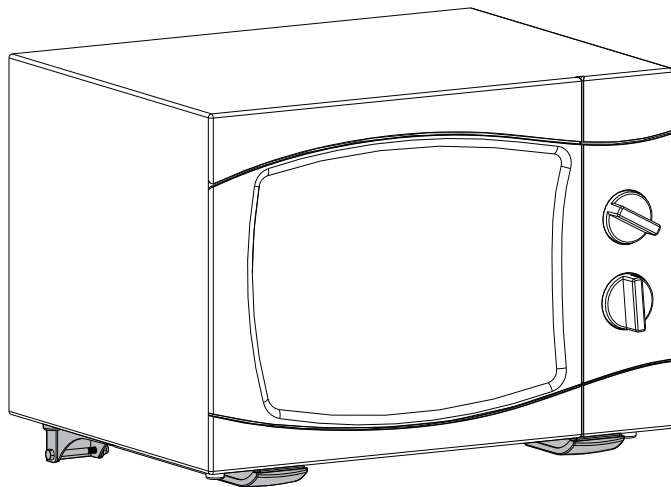
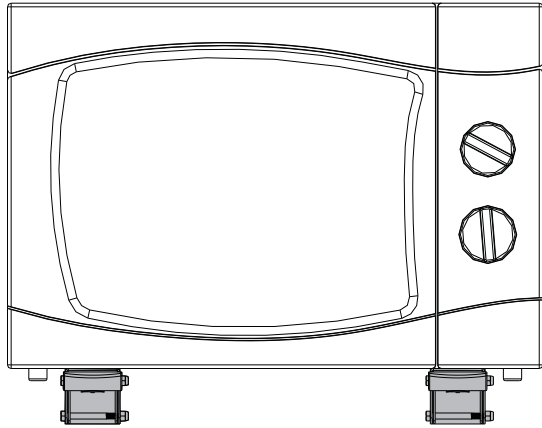


# PRO-SIGNAL

## INSTALLATION INSTRUCTIONS



### Maintenance

- Check that the bracket is secure and safe to use at regular intervals (at least every three months).
- Please contact your distributor if you have any questions.

## Microwave Oven Mount



**CAUTION:** DO NOT EXCEED RATED LISTED WEIGHT. SERIOUS INJURY OR PROPERTY DAMAGE MAY OCCUR!

**PS-MB4SILVER**



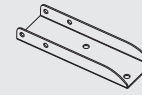
**NOTE:** Read the entire instruction manual before you start installation and assembly.

## **WARNING**

- Do not begin the installation until you have read and understood all of the instructions and warnings contained in this installation sheet. If you have any questions regarding any of the instructions or warnings, please contact your local distributor.
- This mounting bracket was designed to be installed and utilised **ONLY** as specified in this manual. Improper installation of this product may cause damage or serious injury.
- This product should only be installed by someone with good mechanical ability who has basic building experience and fully understands this manual.
- Make sure that the supporting surface will safely support the combined weight of the equipment and all attached hardware and components.
- If mounting to wood wall studs, make sure that mounting screws are anchored into the centre of the studs. The use of a stud finder is highly recommended.
- Always use an assistant or mechanical lifting equipment to safely lift and position the equipment.
- Tighten screws firmly, but do not over-tighten. Over-tightening can cause damage to the items, which significantly reduces their holding power.
- This product is intended for indoor use only. Using this product outdoors could lead to product failure and personal injury.

## **Component Checklist**

**IMPORTANT:** Ensure that you have received all parts according to the component checklist prior to installation. If any parts are missing or faulty, contact your local distributor for a replacement.



mounting plate (x2)  
A



decorative cover (x4)  
B



double-sided tape (x2)  
C



supporting arm (x2)  
D



adjustment part (x2)  
E

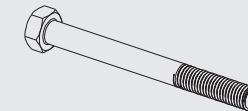
### **Package M**



M6 butterfly nut (x2)  
M-A



D6 washer(x2)  
M-B

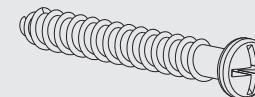


M5x50 (x4)  
M-C

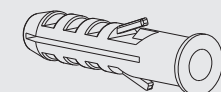


M5 nut(x4)  
M-D

### **Package W**

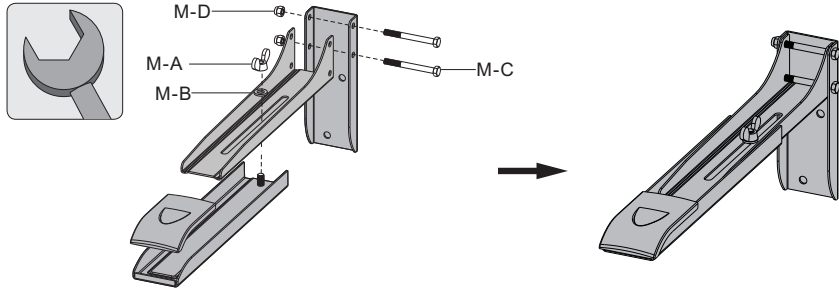


ST5.5x50 (x4)  
W-A

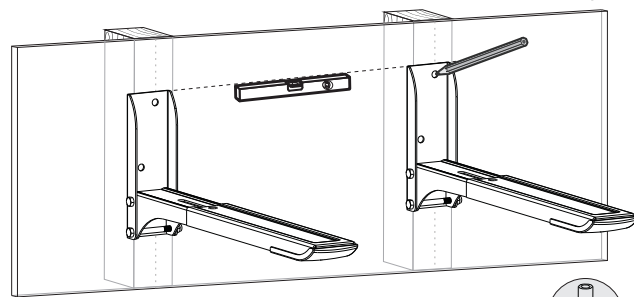
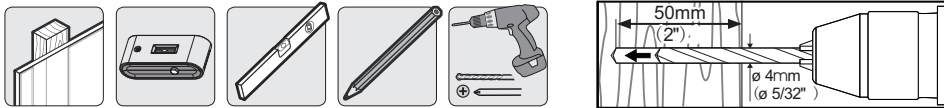


concrete anchor (x4)  
W-B

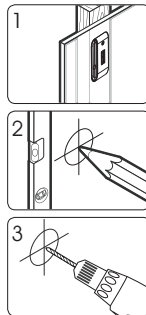
## 1. Assembling the Wall Mount



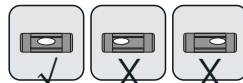
## 2a. For Wood Stud Wall Mounting



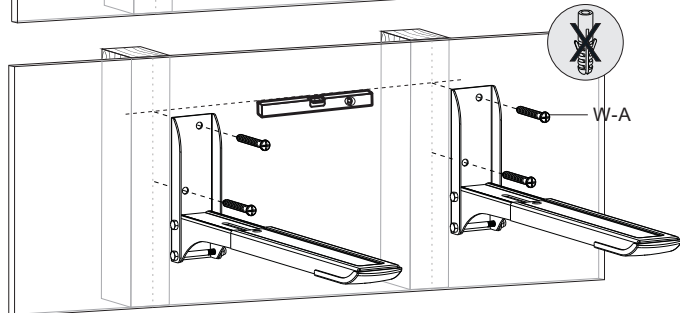
Find and mark the exact location of mounting holes



Drill pilot holes



Screw the wall mount onto the wall

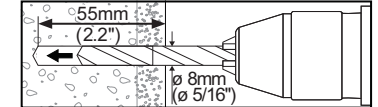
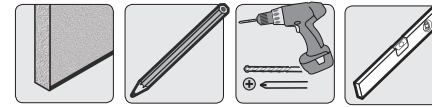


Make sure the two brackets are at the same height and level.

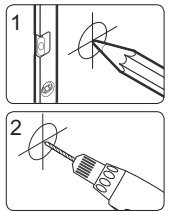
### ⚠ WARNING

- Make sure that the mounting screws are anchored into the centre of the studs. The use of a stud finder is highly recommended.
- Installers are responsible to provide hardware for other types of mounting situations.
- Installers must verify that the supporting surface will safely support the combined weight of the equipment and all attached hardware and components.

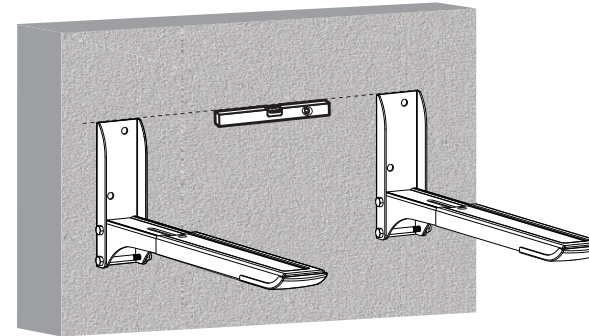
## 2b. For Solid Brick and Concrete Mounting



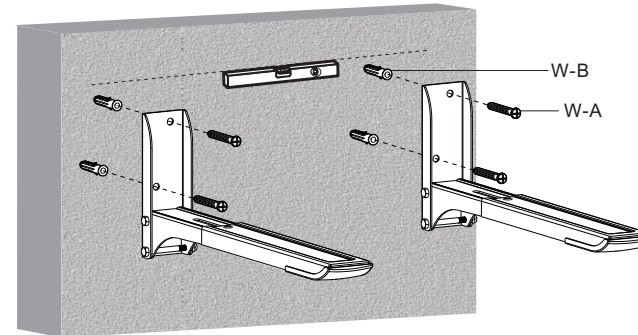
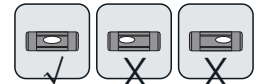
Mark the exact location of mounting holes



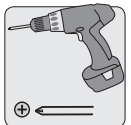
Drill pilot holes



Locate the mounting space according to the size of microwave oven.



Make sure the two brackets are at the same height and level.

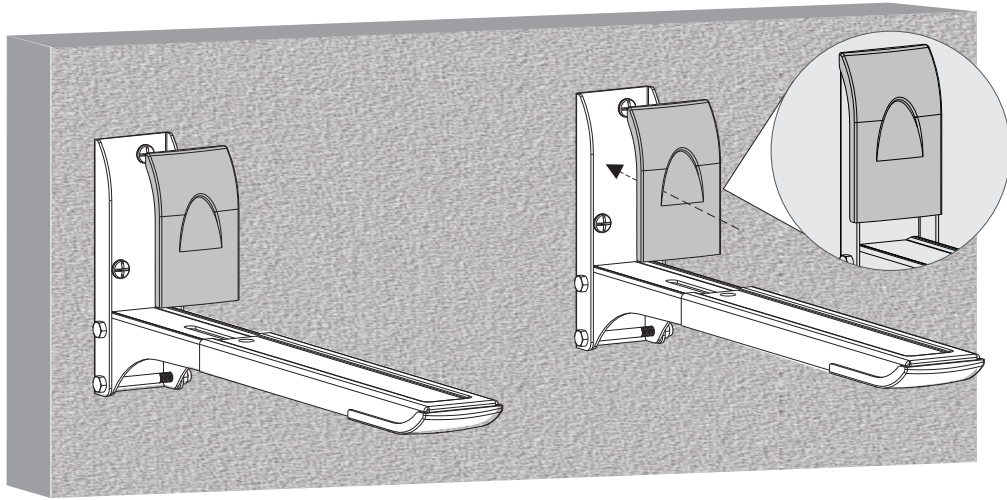


Screw the wall mount onto the wall

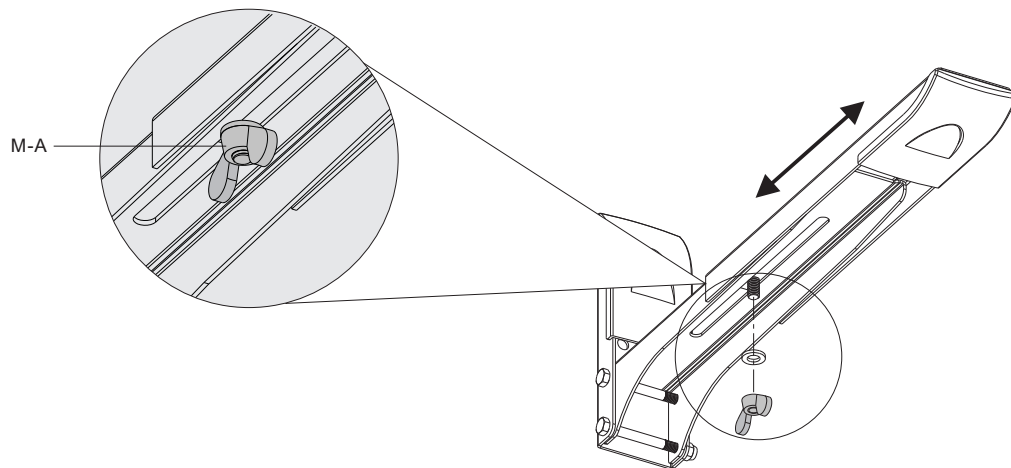
### ⚠ WARNING

Installers must verify that the supporting surface will safely support the combined weight of the equipment and all attached hardware and components.

### 3. Installing the Decorative Covers

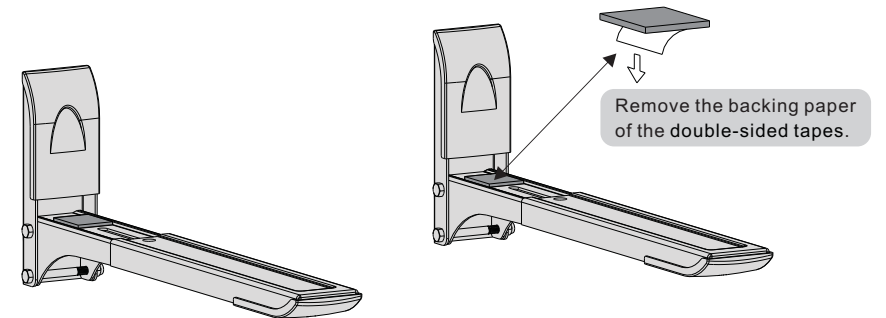
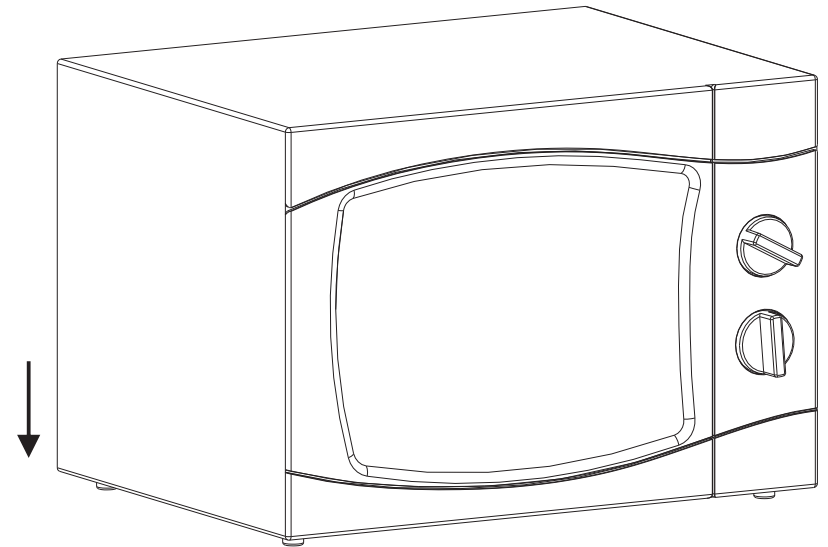


### 4. Adjusting the Length of Arms



Loosen the butterfly nuts and adjust the arms in order to fit the placement of the microwave oven, then tighten the nuts.

### 5. Installing the Microwave Oven



Slowly put the microwave oven on the installed mount and make sure the microwave oven is firmly supported by the mount ( microwave oven is not included ) .