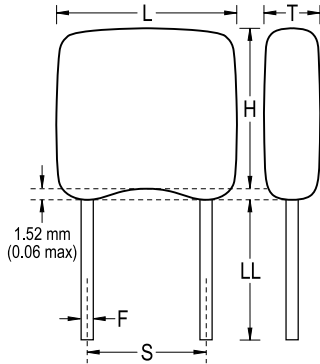


Capacitor, ceramic, 0.01 uF, +/-20% Tol, 50 V, X7R, Lead Spacing=0.1"



General Information	
Supplier:	KEMET
Application:	General Purpose
Temperature Coefficient:	X7R
Body Type:	Radial Conformal
Lead Type:	Wire Leads
Termination Type:	Tin (Sn)
RoHS:	Yes

Dimensions (mm)		
Symbol	Dimension	Tolerance
L	3.81	MAX
H	3.14	MAX
T	2.54	MAX
S	2.54	NOM
LL	7	MIN
F	0.51	NOM

Specifications	
Capacitance:	0.01 uF
Voltage:	50 V
Tolerance:	+/-20%
Temperature Range:	-55/+125C
Failure Rate:	N/A
Dissipation Factor:	2.5%
Insulation Resistance:	100 GOhm
Dielectric Strength:	125 V

Packaging Specifications	
Package Kind:	T&R
Package Size:	12in
Package Type:	H0=18mm
Package Quantity:	2500