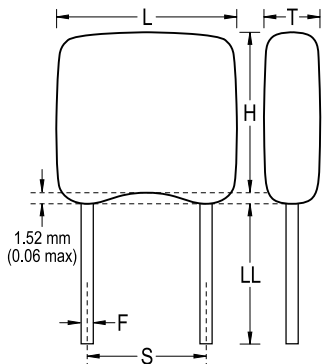


Capacitor, ceramic, 47 pF, +/-5% Tol, 50 V, C0G, Lead Spacing=0.1"



General Information	
Supplier:	KEMET
Application:	General Purpose
Temperature Coefficient:	C0G
Body Type:	Radial Conformal
Lead Type:	Wire Leads
Termination Type:	Tin (Sn)
RoHS:	Yes

Specifications	
Capacitance:	47 pF
Voltage:	50 V
Tolerance:	+/-5%
Temperature Range:	-55/+125C
Failure Rate:	N/A
Dissipation Factor:	0.1%
Insulation Resistance:	100 GOhm
Dielectric Strength:	125 V

Dimensions (mm)		
Symbol	Dimension	Tolerance
L	3.81	MAX
H	3.14	MAX
T	2.54	MAX
S	2.54	NOM
LL	7	MIN
F	0.51	NOM

Packaging Specifications	
Package Kind:	T&R
Package Size:	12in
Package Type:	H0=18mm
Package Quantity:	2500