
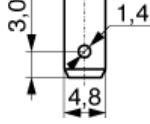



Order code: 59JR-101-1FRS-LR100

17) IN-/OUTLETS IEC 60320

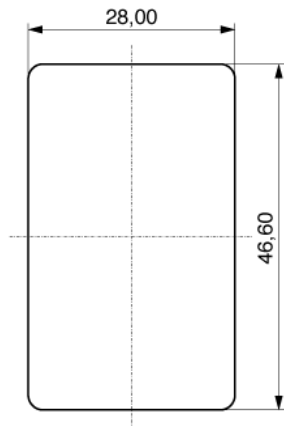
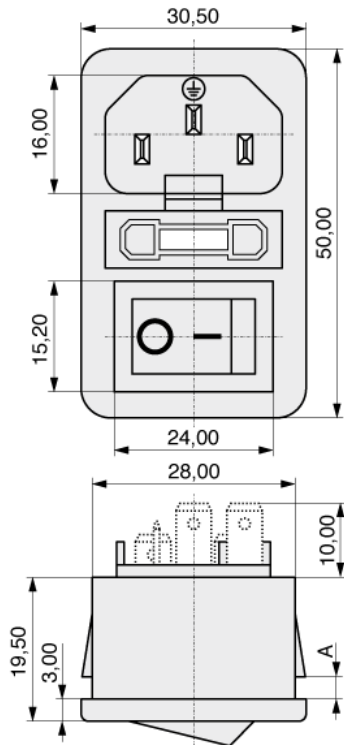
Series: **650**



Inlet / Outlet Configuration	Inlet A - Standard C14 (70°)
	C14 
Mounting	Snap in
Inlet termination	P - Quick connect 4,8
	
No of fuses	1
Voltage selector	Without
Switch	Two-pole
A - Snap-in size	1,00 mm
Rated current	10,0 A (15,0 A acc. UL)
Rated voltage	250 V _{RMS}
Approvals	

Fused power inlet, snap-in version with switch. Fixed snap-in for panel sizes 1,0, 1,5 or 2,0 mm available.

With illuminated switch



Order code: 59JR-101-1FRS-LR100



MPE Garry GmbH
Schäfflerstraße 13
87629 Füssen/Germany

Phone: +49 (0) 83 62 / 91 56-0
Fax: +49 (0) 83 62 / 91 56-500
Email: vk@mpe-connector.de