

Key features:

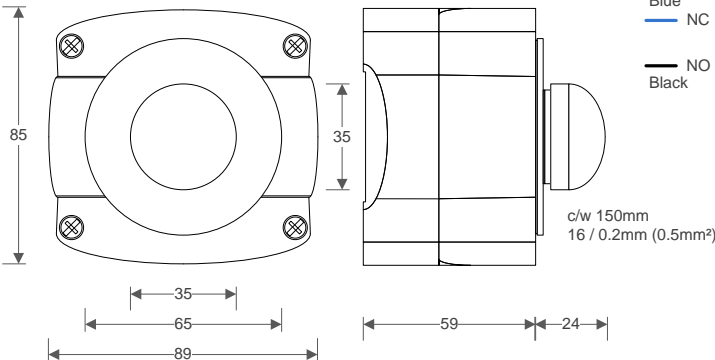
- IP66 Ingress protection
- Momentary contact
- Robust cross polymer
- 20J Impact rating
- RoHS Compliant
- M16/20 knockouts



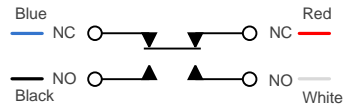
SR09726
DEF-0657-GB-PTE

IMPORTANT: This product is for use in 12Vdc and 24Vdc applications only and should only be installed by a qualified person

Dimensions (mm) & Circuit:



Form Z



Specification (switch)

Mechanical:

Travel ——— 2.5mm
 Life (nom) ——— 2 x 10⁶ cycles
 Operating force — 7N
 Contact bounce — 5ms
 Enclosure ——— Cross polymer

Electrical:

Dielectric strength — 1000V
 Insulation resistance — 1GΩ
 Contact resistance — 25mΩ (initial)
 Current rating ——— 2A max @12-24Vdc
 Life ————— 100,000 cycles 20°C

Environmental & Physical:

Ingress protection— IP67
 Impact rating ——— 20J
 Shock ————— 50g
 Operating temp. — -40°C to +125°C *
 Body / actuator — Zinc alloy
 Terminal material— Tin plate nickel

Ordering information:

SR09726 Green dome push button, IP66, surface mount (grey/black), PRESS TO EXIT



Online: cpc.co.uk
 Telephone: 08447 88 00 88
 Fax: 08447 88 00 89