

PLEASE CHECK WWW.MOLEX.COM FOR LATEST PART INFORMATION

Part Number: [0755860010](#)
Status: **Active**
Overview: [iPass™ Connector System](#)
Description: 0.80mm Pitch, iPass™ I/O Surface Mount Receptacle, Right Angle, External Application, 38 Circuit, 0.38µm Gold (Au), Supports QSFP14 / FDR

Documents:

[3D Model](#) [Application Specification AS-75586-001 \(PDF\)](#)
[Drawing \(PDF\)](#) [RoHS Certificate of Compliance \(PDF\)](#)
[Product Specification PS-75586-001 \(PDF\)](#)

Agency Certification

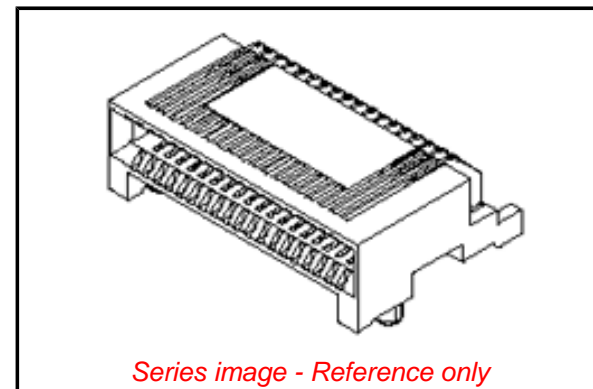
CSA LR19980
 UL E29179

General

Product Family I/O Connectors
 Series [75586](#)
 Application Wire-to-Board
 Comments QSFP14 / FDR
 Component Type Receptacle
 Electrical Model Yes
 Overview [iPass™ Connector System](#)
 Product Name iPass™, Mini Multi-Lane, PCI Express*
 Type N/A
 UPC 822348852499

Physical

Boot Color N/A
 Circuits (Loaded) 38
 Circuits (maximum) 38
 Color - Resin Black
 Durability (mating cycles max) 50
 Flammability 94V-0
 Gender Female
 Keying to Mating Part None
 Lock to Mating Part None
 Material - Metal High Performance Alloy (HPA)
 Material - Plating Mating Gold
 Material - Plating Termination Tin
 Material - Resin High Temperature Thermoplastic
 Net Weight 0.977/g
 Number of Rows 2
 Orientation Right Angle
 PCB Locator Yes
 PCB Retention None
 PCB Thickness - Recommended 1.35mm
 Packaging Type Embossed Tape on Reel
 Panel Mount No
 Pitch - Mating Interface 0.80mm
 Pitch - Termination Interface 0.80mm
 Plating min - Mating 0.381µm
 Plating min - Termination 2.540µm
 Polarized to Mating Part Yes
 Polarized to PCB Yes
 Ports 1
 Surface Mount Compatible (SMC) Yes



Series image - Reference only

EU ELV

Not Relevant

EU RoHS

Compliant

REACH SVHC

Not Contained Per
 -ED/79/2015 (17
 December 2015)

Halogen-Free

Status

Low-Halogen

Need more information on product environmental compliance?

Email productcompliance@molex.com
 Please visit the [Contact Us](#) section for any non-product compliance questions.

China ROHS

ELV

Green Image

Not Relevant

Search Parts in this Series

[75586 Series](#)

Mates With

[74547 iPass™ Cable Assembly](#)

Use With

[74548 I/O Connectors](#)

Temperature Range - Operating	-40°C to +80°C
Termination Interface: Style	Surface Mount
Waterproof / Dustproof	No
Wire Insulation Diameter	N/A
Wire Size AWG	N/A

Electrical

Current - Maximum per Contact	0.5A
Grounding to Panel	N/A
Shielded	No
Voltage - Maximum	30V AC (RMS)/DC

Solder Process Data

Duration at Max. Process Temperature (seconds)	020
Lead-free Process Capability	REFLOW
Max. Cycles at Max. Process Temperature	001
Process Temperature max. C	260

Material Info**Reference - Drawing Numbers**

Application Specification	AS-75586-001
Electrical Model Document	EE-75586-001
Product Specification	PS-75586-001
S-Parameter Model	SP-75586-001
Sales Drawing	SD-75586-001
Signal Integrity Report	SI-75586-0001

*PCI Express is a registered trademark of PCI-SIG®.

This document was generated on 03/31/2016

PLEASE CHECK WWW.MOLEX.COM FOR LATEST PART INFORMATION