

Luminaire disconnect connector; 3-pole

Item No.: 873-903



Luminaire disconnect connector; 3-pole

Marking

RoHS ✓
Compliant

Business data

Supplier	WAGO
Item no.	873-903
GTIN / EAN	4045454671815
Content	1
Order amount	20
Customer item number	

Notes

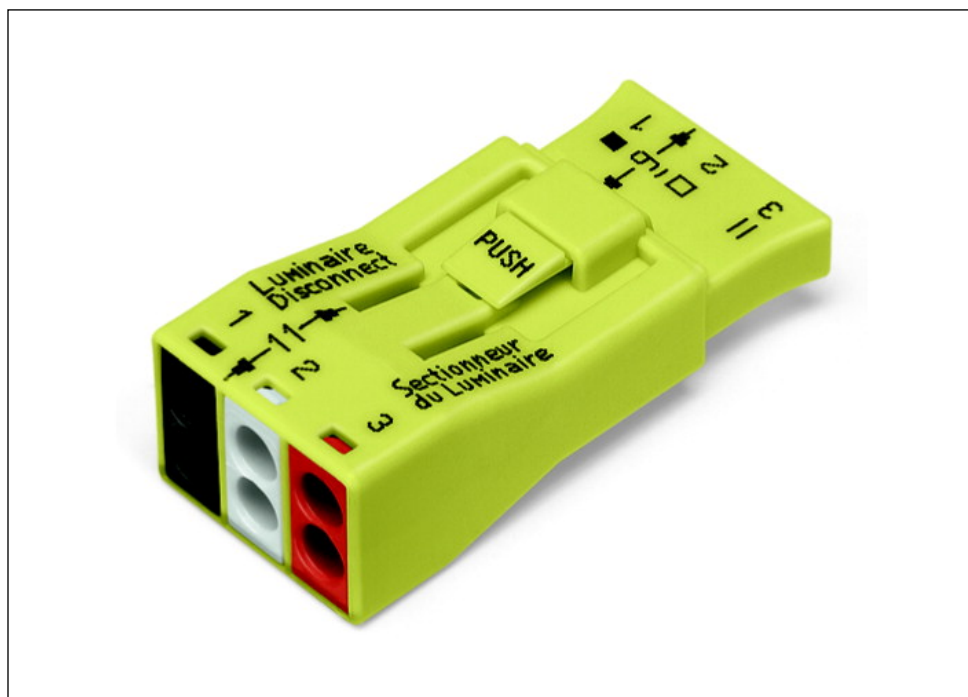
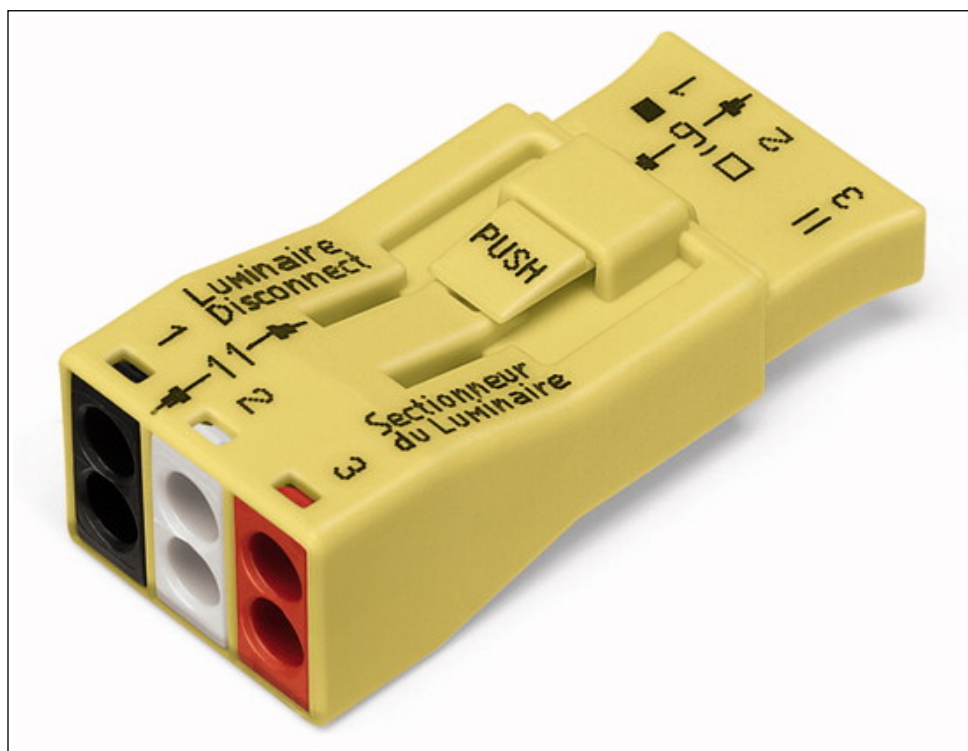
Technical data

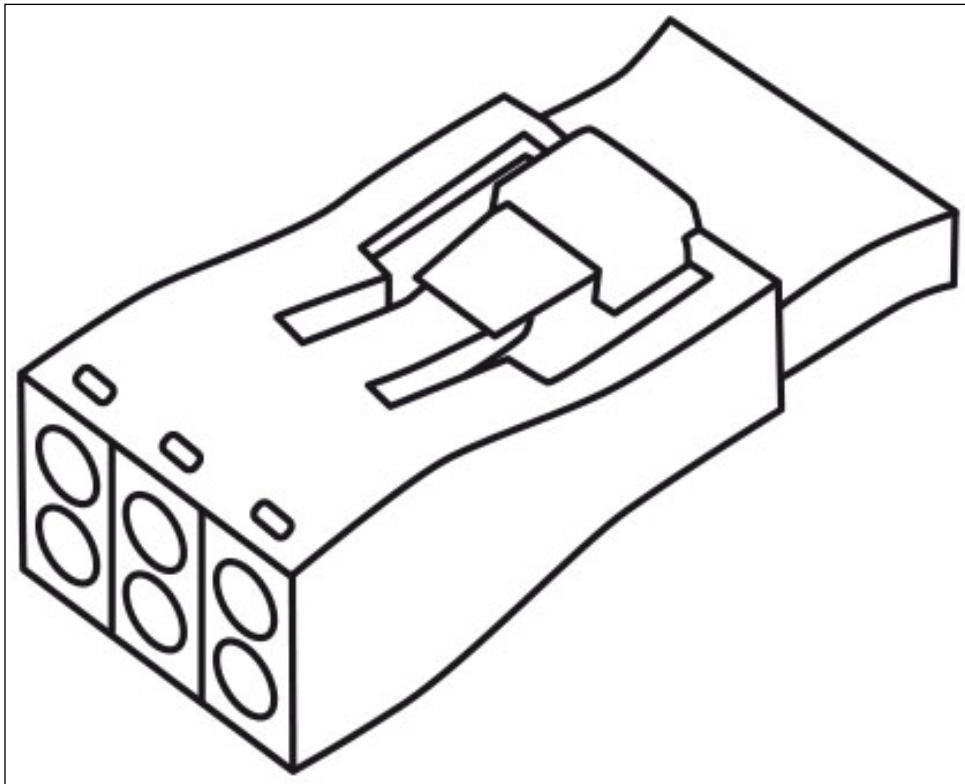
Miscellaneous

No. of poles	3
Total number of connection points	6
Total number of potentials	3
Ratings according to 1	EN 60998
Ratings according to 2	EN 61984
Connection technology (1)	PUSH WIRE®
stranded, connectable 1	male part 1.5 ... 4 mm ² / 16 ... 12 AWG
Strip length 1	11 ... 13 mm / 0.43 ... 0.51 in
Strip length 2	9 ... 11 mm / 0.35 ... 0.43 in
Fire load [MJ]	0.144 [MJ]

Technical data	
<i>Weight [g]</i>	<i>6.797 [g]</i>
<i>Width</i>	<i>19 mm / 0.748 in</i>
<i>Height</i>	<i>13.2 mm / 0.52 in</i>
<i>Length</i>	<i>42 mm / 1.654 in</i>

Images & drawings





Address

WAGO Kontakttechnik GmbH & Co. KG

Hansastr. 27

32423 Minden

Telefon: 0571/887-0

Fax: 0571/887-169

<http://www.wago.com>

© WAGO Kontakttechnik GmbH & Co. KG

Technische Änderungen und Irrtümer vorbehalten.