

**UPT SERIES**

**(3,81 mm) .150"**

# DUAL BLADE 20 A POWER HEADER

**SPECIFICATIONS**

For complete specifications see [www.samtec.com?UPT](http://www.samtec.com?UPT)

**Insulator Material:** Black LCP

**Terminal Material:** BeCu

**Plating:** Sn or Au over 50µ" (1,27 µm) Ni

**Operating Temp Range:** -55°C to +105°C with Tin; -55°C to +125°C with Gold

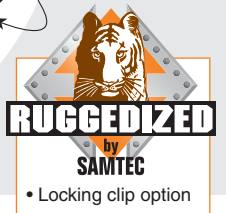
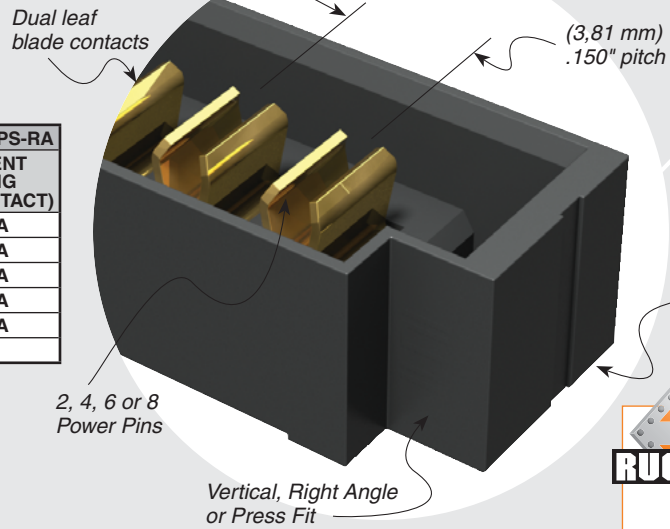
**Voltage Rating:** 438 VAC/620 VDC

**RoHS Compliant:** Yes

**Lead-Free Solderable:** Yes (-V, -RA options)

**Mates with:** UPT

|             | UPT-V/UPS-V                         | UPT-RA/UPS-RA                       |
|-------------|-------------------------------------|-------------------------------------|
| <b>PINS</b> |                                     |                                     |
|             | <b>CURRENT RATING (PER CONTACT)</b> | <b>CURRENT RATING (PER CONTACT)</b> |
| 1           | 23 A                                | 23.5 A                              |
| 2           | 18.6 A                              | 20.1 A                              |
| 3           | 17.5 A                              | 16.9 A                              |
| 4           | 16.7 A                              | 15.5 A                              |
| ALL         | 14 A                                | 13.3 A                              |
|             | -L PLATING                          |                                     |



**RECOGNITIONS**

For complete scope of recognitions see [www.samtec.com/quality](http://www.samtec.com/quality)



**ALSO AVAILABLE (MOQ Required)**

- Solder leads for (2,36 mm) .093" thick board
- Contact Samtec.

**TOOLING**

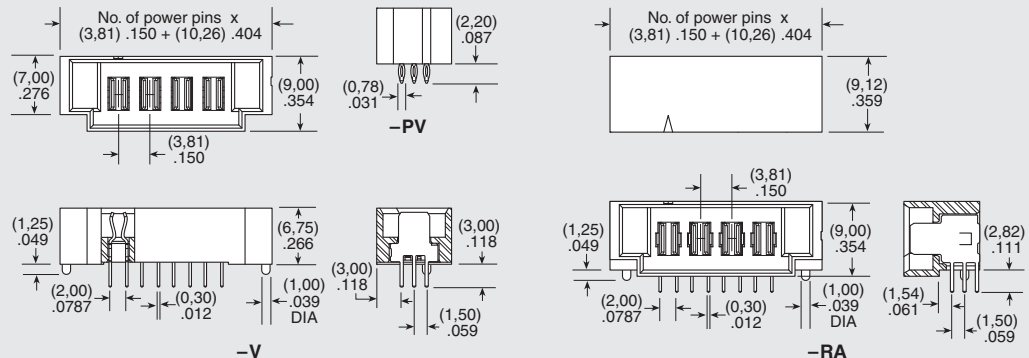
Press fit tooling available. Contact Samtec.

| UPT | POWER PINS         | LEAD STYLE   | TAIL LENGTH   | PLATING OPTION   | TAIL  | OTHER OPTION   |
|-----|--------------------|--|---|--|---|--|
|     | -02, -04, -06, -08 | -01 = RA only<br>-03.0 = (03,0 mm) .118" (-V & -PV only) | -01 = Use with (1,60 mm) .062" Thick PCB (-V & -RA only)<br>-03 = Use with (1,60 mm) .062" Thick PCB (-PV only) | -L = 10µ" (0,25 µm) Gold on contact, Matte Tin on tail<br>-T = Matte Tin (-RA option only) | -V = Vertical (Not available with -T plating)<br>-RA = Right Angle<br>-PV = Press Fit, Vertical | -LC = Locking Clip (Manual placement required) Not available with -PV option |

**MATED HEIGHT\***

| UPT LEAD STYLE | UPS LEAD STYLE |              |
|----------------|----------------|--------------|
|                | -04.0          | -07.0        |
| -03.0          | (7,00) .276    | (10,00) .394 |

\*Processing conditions will affect mated height.



**Note:** Some sizes, styles and options are non-standard, non-returnable.