

PUSH WIRE® connector for junction boxes; 6-conductor terminal block; transparent housing; black cover

Item No.: 773-166



PUSH WIRE® connector for junction boxes; 6-conductor terminal block; transparent housing; black cover

Marking

RoHS ✓
Compliant

Business data

Supplier	WAGO
Item no.	773-166
GTIN / EAN	4044918398060
Content	1
Order amount	50
Customer item number	

Notes

Technical data

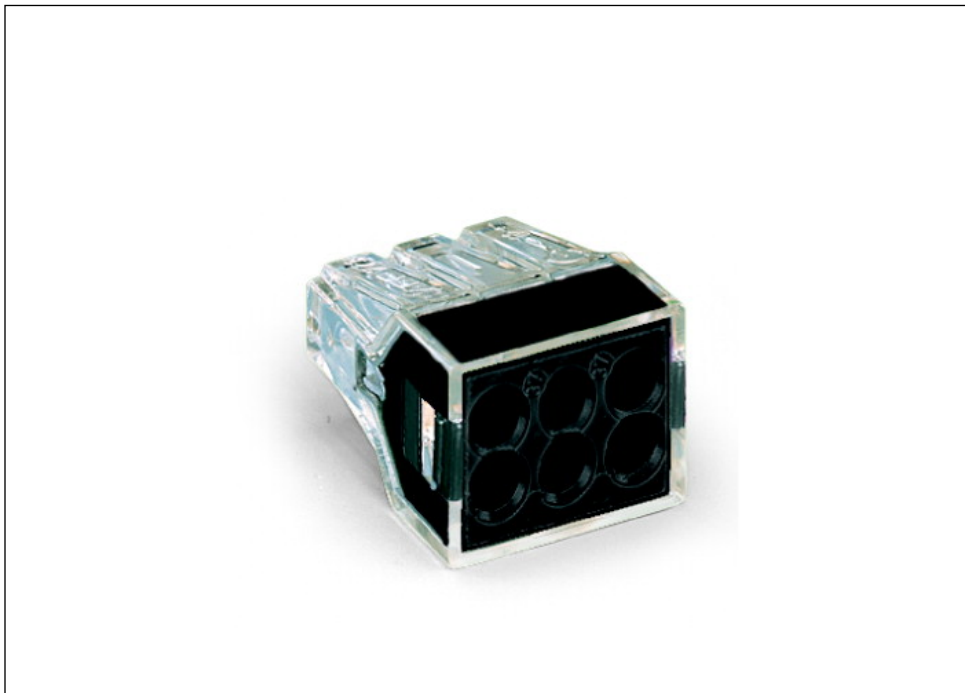
Miscellaneous

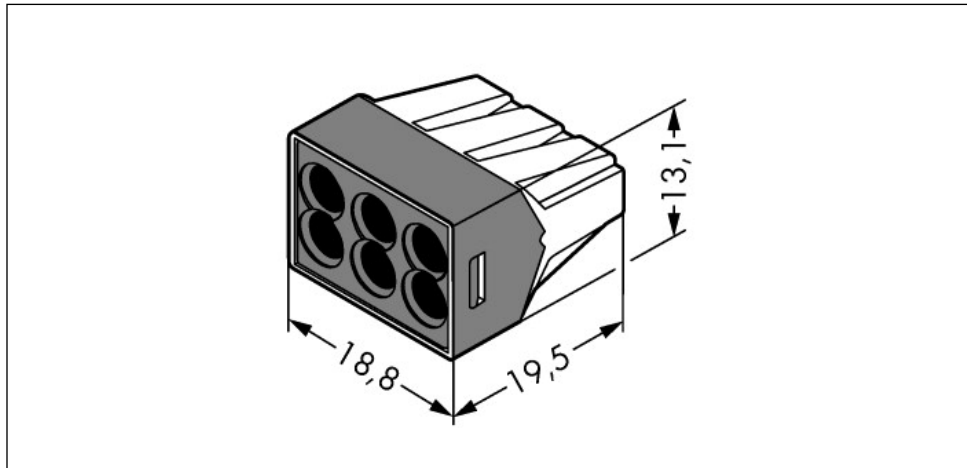
Total number of connection points	6
Total number of potentials	1
Color	transparent
Pollution degree (1)	2
Rated voltage EN (1) [V]	400 [V]
Rated surge voltage (1) [kV]	4 [kV]
Nominal current [A]	24 [A]
Connection technology (1)	PUSH WIRE®
Solid sizes 1	0.75 ... 2.5 mm ² / 18 ... 12 AWG

Printview: PUSH WIRE® connector for junction boxes; 6-conductor terminal block; transparent housing; black cover - Item No.: 773-166

Technical data	
<i>Strip length 1</i>	<i>12 mm / 0.47 in</i>
<i>Type of wiring</i>	<i>Side-entry wiring</i>
<i>Weight [g]</i>	<i>4.25 [g]</i>
<i>Width</i>	<i>18.8 mm / 0.74 in</i>
<i>Height</i>	<i>13.1 mm / 0.516 in</i>
<i>Length</i>	<i>19.5 mm / 0.768 in</i>
<i>Safety information 1</i>	<i>In grounded power lines</i>

Images & drawings





Address

WAGO Kontakttechnik GmbH & Co. KG

Hansastr. 27

32423 Minden

Telefon: 0571/887-0

Fax: 0571/887-169

<http://www.wago.com>

© WAGO Kontakttechnik GmbH & Co. KG

Technische Änderungen und Irrtümer vorbehalten.