

# EW60 PCB RELAY

TE Connectivity (TE) introduces the EW60 PCB relay, a power latching relay with up to 60Amps switching capability. The EW60 relay is designed to support the demand for higher switching capability in building systems and power distribution applications. In addition, this relay can enable energy savings and provide low self-heating due to its bi-stable magnetic system. The EW60 PCB relay is designed for applications in lighting controls, power distribution, bus actuators, and circuit protection.



## Applications

- Lighting controls
- Bus actuator
- Power distribution
- Circuit protection
- Inverter

## Electrical

- Rated current: 60 A
- Rated voltage: 250 VAC
- Coil power: 1.5 / 2x3 W
- 15 kVa max breaking capacity
- Max. switching voltage 440VAC
- 480 A inrush, 2.1 ms

## Mechanical

- 1 form A (NO) contact, 60 A
- 1 or 2 coil bi-stable magnet system
- PCB mounting
- RTI (dust protected)

## Product Specifications

- **UL Ratings:**
  - 60 A / 250 VAC, resistive, 70°C, 10,000 operations
  - 16 or 20 A, electronic ballast, 70°C, 50,000 operations
  - 120VAC, 1 HP (Horse Power), 10,000 operations
  - NEMA 410-2011, 16A, 277VAC, electronic ballast; 20A branch circuit
- **VDE Ratings**
  - Under review

## Key Benefits

- Can enable energy savings and provide low self-heating by a bi-stable magnetic system
- Different coil drive possibilities by 1 or 2 coil versions
- Provide strong electronic ballast switching (50k operations, NEMA 410-2011, 16A or 20A branch circuit rating)

## Materials

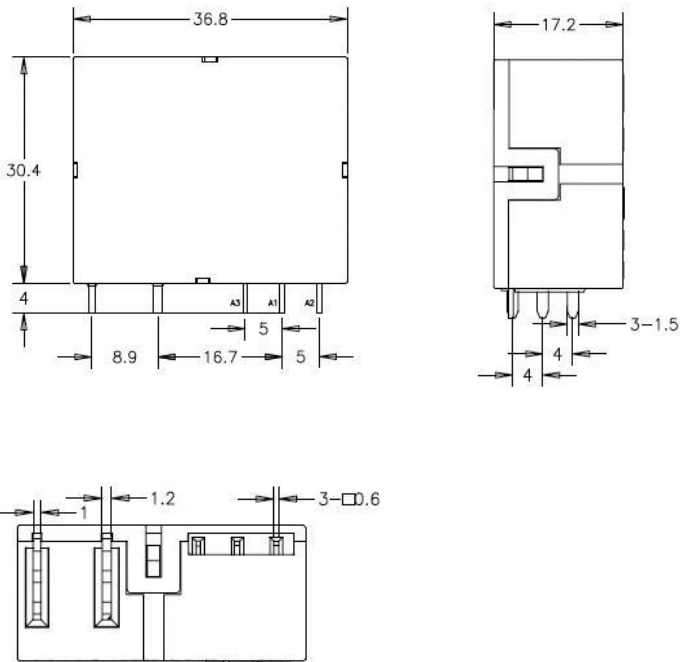
- Contact material AgSnO<sup>2</sup>

Product Selection Information

| Part Number               | Description            | Coil Version      |
|---------------------------|------------------------|-------------------|
| <a href="#">2071366-1</a> | EW60-1A3-BL12D04,00000 | 1 coil, bistable  |
| <a href="#">2071366-2</a> | EW60-1A3-CL12D04,00000 | 2 coils, bistable |

Other coil versions available upon request

Dimensions



te.com

© 2016 TE Connectivity Ltd. Family of Companies. All Rights Reserved. TE, TE Connectivity, and the TE connectivity (logo) are trademarks of the TE Connectivity Ltd. family of companies. Other logos, product and Company names mentioned herein may be trademarks of their respective owners.  
1-1773878-9 JN 5/2016

USA: +1 (800) 522-6752  
Canada: +1 (905) 475-6222  
Mexico: +52 (0) 55-1106-0800  
Latin/S. America: +54 (0) 11-4733-2200  
Germany: +49 (0) 6251-133-1999

UK: +44 (0) 800-267666  
France: +33 (0) 1-3420-8686  
The Netherlands: +31 (0) 73-6246-999  
China: +86 (0) 400-820-6015