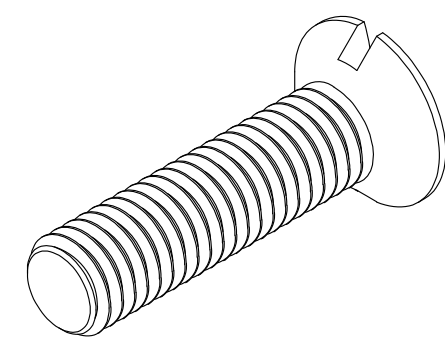
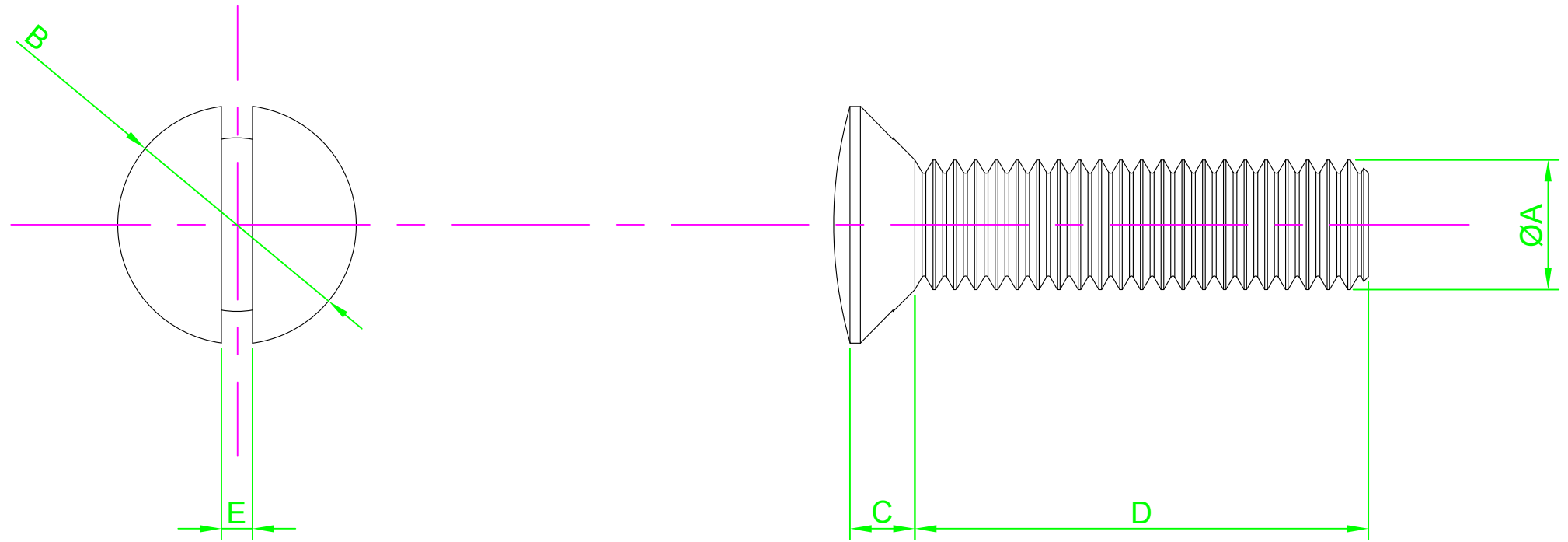


DO NOT SCALE DRAWING

REVISION

A INITIAL DRAWING 23.9.15



Part Number	ØA	B Nom	C Max	D Length	E Nom
M3.5 12 ISBRMC N100	M3.5-0.6	6.5	1.93	12.0	0.8
M3.5 16 ISBRMC N100				16.0	
M3.5 20 ISBRMC N100				20.0	
M3.5 25 ISBRMC N100				25.0	
M3.5 30 ISBRMC N100				30.0	
M3.5 35 ISBRMC N100				35.0	
M3.5 40 ISBRMC N100				40.0	
M3.5 50 ISBRMC N100				50.0	

NOTES:



UNLESS OTHERWISE SPECIFIED:
DIMENSIONS ARE IN MM (MILLIMETERS).
SURFACE FINISH:
TOLERANCES: DIN 964

	NAME	DATE
DRAWN	Darryl Wilson	23.09.15
CHK'D		
APPVD		

MATERIAL:
Brass

HEAT TREATMENT:
N/A

TITLE:
Slotted Raised Csk Head Machine Screw
DIN 964

DESIGN RIGHT. TR FASTENINGS LTD, 2003
UNDER NO CIRCUMSTANCES MUST THIS
DRAWING BE COPIED OR DISCLOSED
WITHOUT FIRST OBTAINING WRITTEN
AUTHORITY.

CUSTOMER PART NUMBER:
N/A

FINISH:
BN2 - Commercial Bright Nickel

DRAWING NUMBER:
TR32ISBRMC

A4