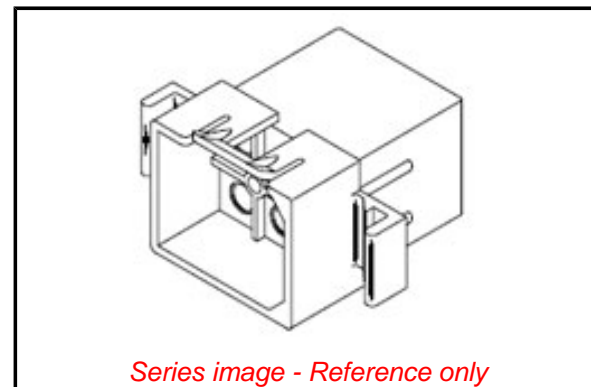


PLEASE CHECK WWW.MOLEX.COM FOR LATEST PART INFORMATION

Part Number: [0019092062](#)
Status: **Active**
Overview: Standard .093" Pin and Socket Connectors
Description: 2.36mm Diameter, .093" Pin and Socket Plug Housing with Positive Latch, 6 Circuits, with Standard Mounting Ears

Documents:

3D Model	Product Specification PS-1991-016 (PDF)
Drawing (PDF)	Packaging Specification PK-1991-001 (PDF)
Product Specification PS-02-09 (PDF)	RoHS Certificate of Compliance (PDF)
Product Specification PS-1991-015 (PDF)	



Agency Certification

CSA	LR19980
UL	E29179

General

Product Family	Crimp Housings
Series	1991
Application	Power, Wire-to-Wire
Comments	Polarized to Mating Part
Overview	Standard .093" Pin and Socket Connectors
Product Name	Standard .093"
UPC	800754943185

Physical

Breakaway	No
Circuits (maximum)	6
Circuits Detail	2x3
Color - Resin	Natural
Flammability	94V-2
Gender	Plug
Glow-Wire Compliant	No
Keying to Mating Part	None
Lock to Mating Part	Yes
Material - Resin	Nylon
Net Weight	4.053/g
Number of Rows	2
Packaging Type	Bag
Panel Mount	No
Pitch - Mating Interface	6.30mm
Polarized to Mating Part	Yes
Stackable	No
Temperature Range - Operating	-40°C to +105°C

Electrical

Current - Maximum per Contact	9.0A
-------------------------------	------

Material Info

Old Part Number	1991-6P1
-----------------	----------

Reference - Drawing Numbers

Packaging Specification	PK-1991-001
Product Specification	PS-02-09, PS-1991-015, PS-1991-016
Sales Drawing	SD-1991-6*

EU ELV

Not Relevant

EU RoHS

Compliant

China RoHS

REACH SVHC

Not Contained Per
-ED/79/2015 (17
December 2015)

Halogen-Free

Status

Low-Halogen

Need more information on product environmental compliance?

Email productcompliance@molex.com
Please visit the [Contact Us](#) section for any non-product compliance questions.

China ROHS
ELV

Green Image
Not Relevant

Search Parts in this Series

[1991 Series](#)

Mates With

[19-09-1061](#) , [19-09-1062](#)

Use With

[1189](#) Crimp Terminals, [1190](#) Crimp Terminals, [1380](#) Male Crimp Terminals, [1381](#) Female Crimp Terminals, [1433](#) Crimp Terminals, [1434](#) Male Crimp Terminals, [1973](#) , [2151](#) , [2273](#) , [2870](#) , [2871](#) , [4272](#) , Link: [4550](#), [6271](#)

This document was generated on 03/01/2016

PLEASE CHECK WWW.MOLEX.COM FOR LATEST PART INFORMATION