

**PLEASE CHECK WWW.MOLEX.COM FOR LATEST PART INFORMATION**

**Part Number:** [0395321002](#)  
**Status:** **Active**  
**Overview:** Eurostyle™ Terminal Blocks  
**Description:** 5.08mm Pitch Eurostyle™ Horizontal PCB Header, 2 Circuits

**Documents:**

[3D Model](#) [Product Specification PS-39500-001 \(PDF\)](#)  
[Drawing \(PDF\)](#) [RoHS Certificate of Compliance \(PDF\)](#)

**General**

Product Family	Terminal Blocks
Series	<a href="#">39532</a>
Application	N/A
Component Type	PCB Header
MolexKits	Yes
Overview	<a href="#">Eurostyle™ Terminal Blocks</a>
Product Name	ESE, Eurostyle™ Pluggable
Type	Euro Block
UPC	822350506533

**Physical**

Circuits (Loaded)	2
Entry Angle	N/A
Lock to Mating Part	Yes
Number of Rows	1
Orientation	Horizontal
PC Tail Length	5.08mm
PCB Thickness - Recommended	3.18mm
Panel Mount	No
Pitch - Mating Interface	5.08mm
Pitch - Termination Interface	5.08mm
Polarized to Mating Part	Yes
Shrouded	Closed Ends
Stackable	No
Surface Mount Compatible (SMC)	N/A
Temperature Range - Operating	-40°C to +105°C
Wire Size AWG	N/A

**Electrical**

Current - Maximum per Contact	15.0A
Voltage - Maximum	300V

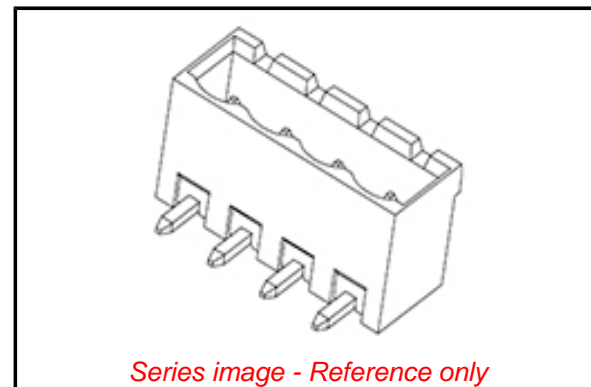
**Solder Process Data**

Lead-freeProcess Capability	N/A
-----------------------------	-----

**Material Info**

**Reference - Drawing Numbers**

Product Specification	PS-39500-001, RPS-39500-001
Sales Drawing	SD-39532-002



**EU ELV**

**Not Relevant**

**EU RoHS**

**Compliant**

**REACH SVHC**

Not Contained Per  
-ED/79/2015 (17  
December 2015)

**Halogen-Free**

**Status**

**Low-Halogen**

**Need more information on product environmental compliance?**

Email [productcompliance@molex.com](mailto:productcompliance@molex.com)  
Please visit the [Contact Us](#) section for any non-product compliance questions.

China ROHS

ELV

Green Image

Not Relevant

**Search Parts in this Series**

[39532](#) Series

**Mates With**

[39530](#) Horizontal Plug, [39533](#) Vertical Plug,  
Most 5.08mm Pitch Industry Standard Plugs