



ECO Halogen R80 48W E27



Product Overview

Main voltage halogen lamps operate direct from the mains, without the need for a transformer, and can be dimmed: making them quick and easy to install, simple to operate and lowering installation and user costs.

Features

- More eco-valued.
- Excellent color rendering and consistency
- Reliable construction

Safety and Maintenance

- Switch off supply before installing or removing lamp.
- Allow to cool before handling.
- Do not use in application where voltage is unable
- This is a glass product, handle with care

Specifications – R8

SKU	S5428 S5191
Lamp	R80
Nominal Power (W)	48
Voltage	220-240Vac 50Hz
Current (mA)	
Nominal Luminous Flux (lm)	300
CCT (K)	2700K warm White
Nominal Lifetime (h)	2000
Dimmable	Yes
Switching Cycles	8000
Warm-up time to 60% (S)	instant
Length (mm)	112
Diameter (mm)	80
Mercury (mg)	0
Clean-up instructions	See website
Retrofit	Yes
Equivalent Wattage (W)	60
Rated Power (W)	48
Rated Luminous Flux (lm)	300
Rated Lifetime (h)	2000
Power Factor	1
Rated Peak Candelas (cd)	
Lumen Maintenance Factor at	
Nominal Lifetime	2000
CRI	>99
Start Time (s)	instant
Ambient Temperature Range (°C)	-20 to 40

Energy Label – R80

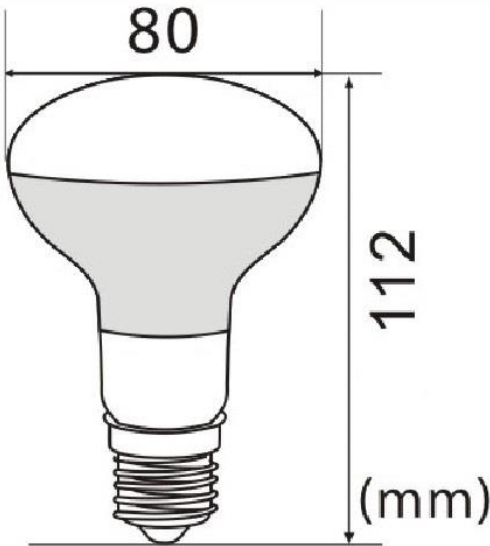
Energy Class	D
Energy Consumption (kWh/1000h)	48.00 (48)*

* The kWh/1000h value published on the energy label is required to be rounded up to an integer according to the EU implementing directive on Energy Labelling. The value to 2 decimal places is given for reference

Product Markings – R80

Voltage	220-240Vac 50Hz
Nominal Power (W)	48
Current (mA)	
CE Mark	Yes
WEEE Mark	Yes
Batch Code	Yes

Dimensions



Photometric Information

2700K

